

THIS DRAWING IS UNPUBLISHED.

RELEASED FOR PUBLICATION

ALL RIGHTS RESERVED.

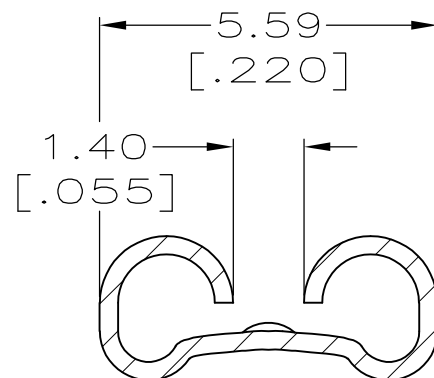
© COPYRIGHT - By -

LOC AF DIST 50

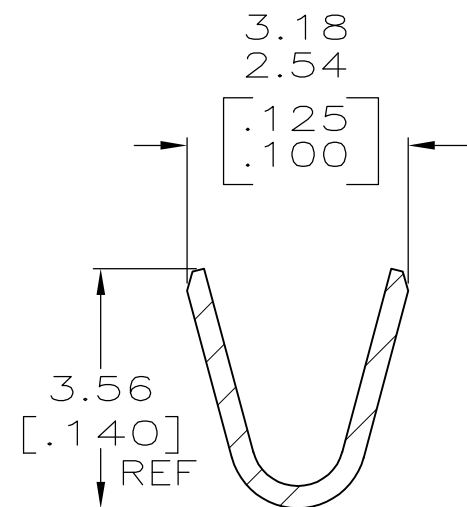
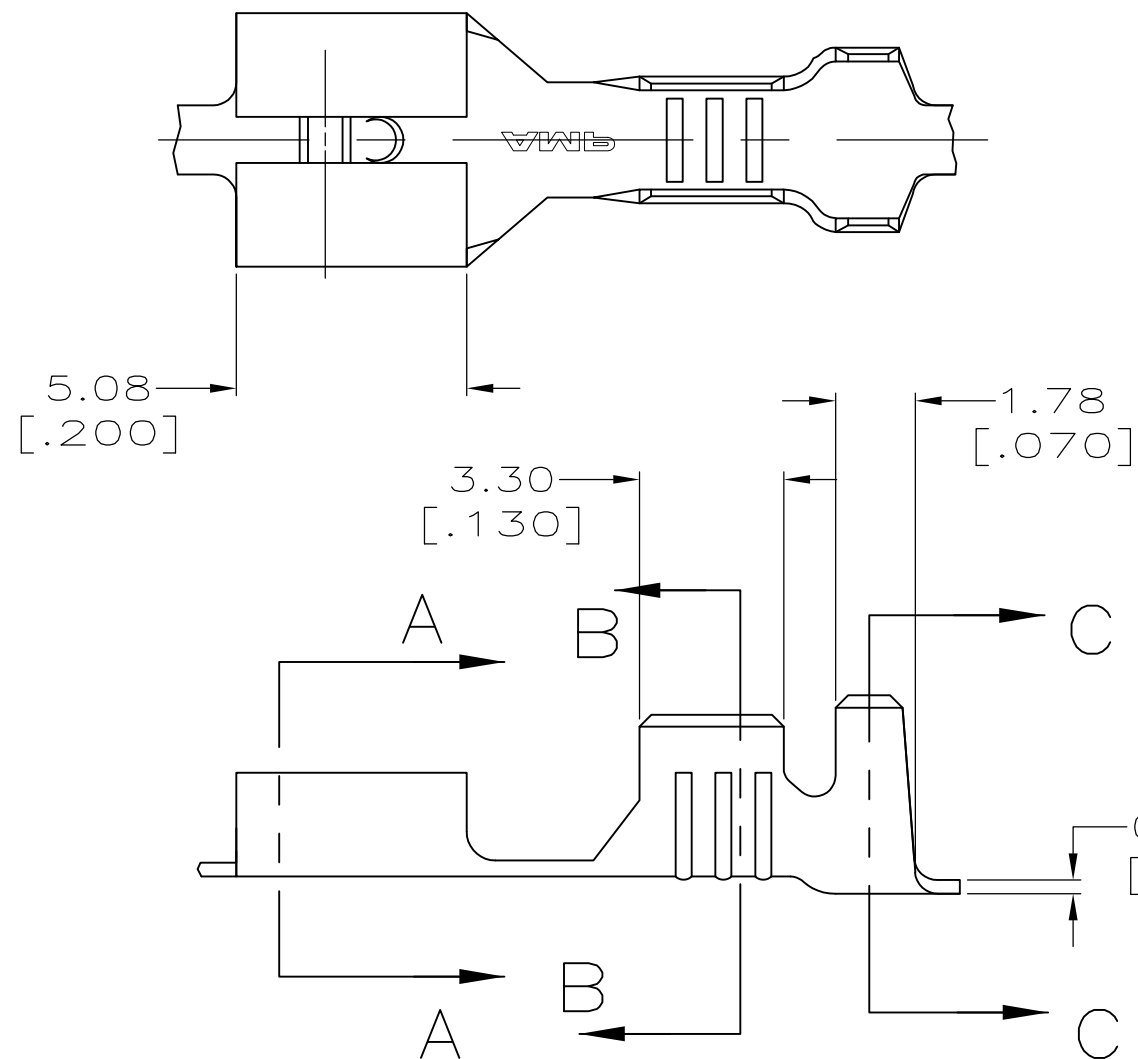
REVISIONS

P	LTR	DESCRIPTION	DATE	DWN	APVD
B		REVISED PER ECR-12-013518	26NOV2012	KH	PD

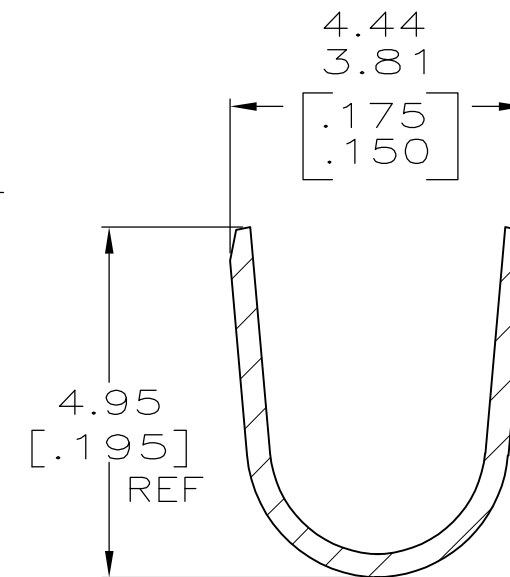
- CONTINUOUS STRIP ON REELS
- MATING TAB THK TO BE 0.81 ± 0.025 $[\.032 \pm .001]$.
- WIRE SIZE IS $[\#20-\#16]$ AWG.
- INSULATION RANGE IS 2.29-3.30 $[\.090-.130]$ DIA.



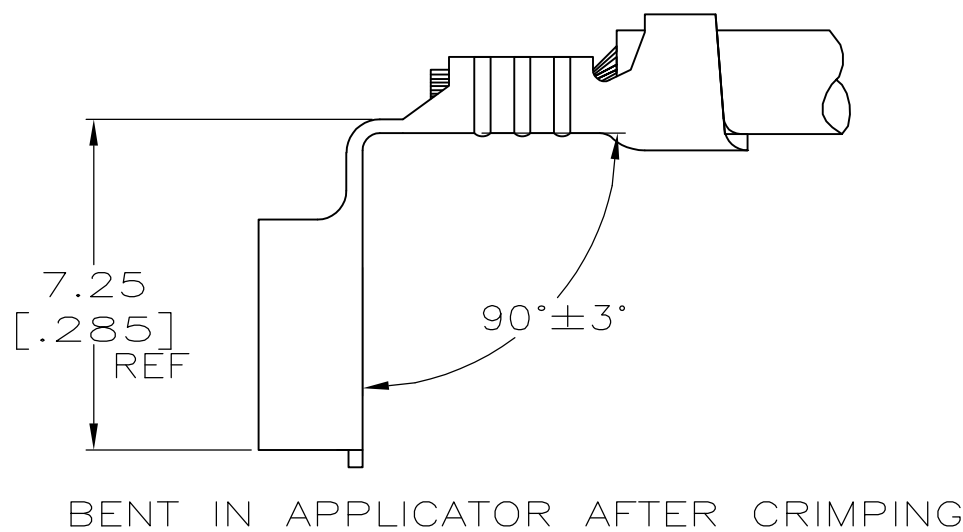
SECTION A-A
SCALE 8:1



SECTION B-B
SCALE 8:1



SECTION C-C
SCALE 8:1



1217112-1
PART NO.

THIS DRAWING IS A CONTROLLED DOCUMENT.		DWN JR RUTH 10/8/98	STE TE Connectivity		
DIMENSIONS: mm [INCHES]		CHK P FORTNEY 10/8/98			
TOLERANCES UNLESS OTHERWISE SPECIFIED:		APVD P DESANTIS 10/8/98	NAME RECEPTACLE, FASTON, 4.75 [.187] SERIES		
0 PLC ± -		PRODUCT SPEC -	SIZE A3	CAGE CODE 00779	DRAWING NO C-1217112
1 PLC ± -		APPLICATION SPEC -	RESTRICTED TO -		
2 PLC ± 0.25 [.010]		WEIGHT -	SCALE 6:1 SHEET 1 OF 1 REV B		
3 PLC ± -		CUSTOMER DRAWING			
4 PLC ± -					
ANGLES ± -					
FINISH -					
MATERIAL BRASS					