

DRAWINGS MADE IN AMERICAN PROJECTION

LOC
AD

PRINT DIST
B 34

© 1964 BY AMP INCORPORATED. ALL RIGHTS RESERVED. AMP PRODUCTS COVERED BY PATENTS AND/OR PATENTS PENDING.

REVISIONS

LTR	DESCRIPTION	DATE	APPROVED
A	REVISED MATL. 2280	10-20-69	m.S. RHF
A1	ADDED -3 1010	7-18-75	am
B	REV PER 0310-0025-96	16 DEC 96	C. C.

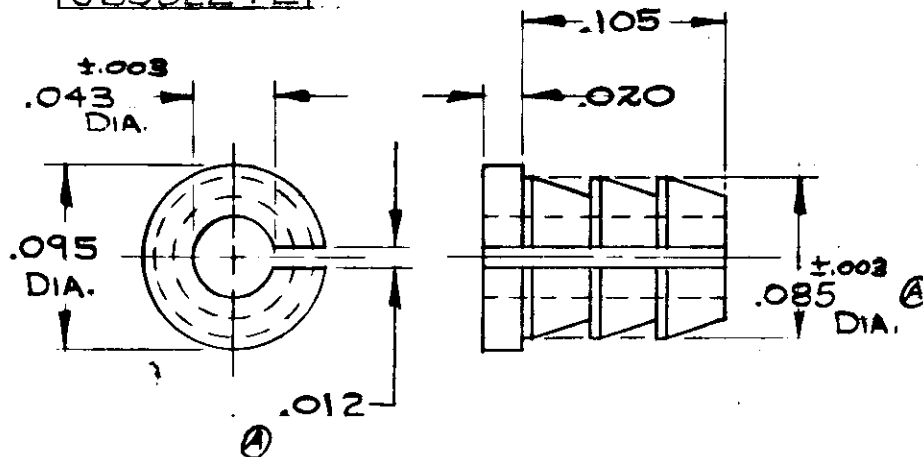
86280-1: 1. AS SHOWN.

86280-2: 1 SAME AS -1 EXCEPT:

.000030 GOLD OVER NICKEL

86280-3: 1 SAME AS -1 EXCEPT: FINISH IS .000300 MIN BRIGHT TIN OVER .000050 NICKEL

OBSOLETE



UNLESS OTHERWISE SPECIFIED DIMENSIONS ARE IN INCHES
TOLERANCES ON:
DECIMALS ±.005
ANGLES ±

CONTRACT NO.
DR. *E.H. Frantz 8-6-69*
CHK *J. Steide 8-6-69*
APPD *W. J. ... 8-6-69*
REV *W. J. ... 8-6-69*



AMP INCORPORATED
HARRISBURG, PENNSYLVANIA

MATERIAL
BRASS

NAME
BUSHING, GROUND

(A)

DSGN APPD
OTHER APPD

SIZE
A

CODE IDENT NO.
00779

NUMBER
86280

SCALE

SHEET