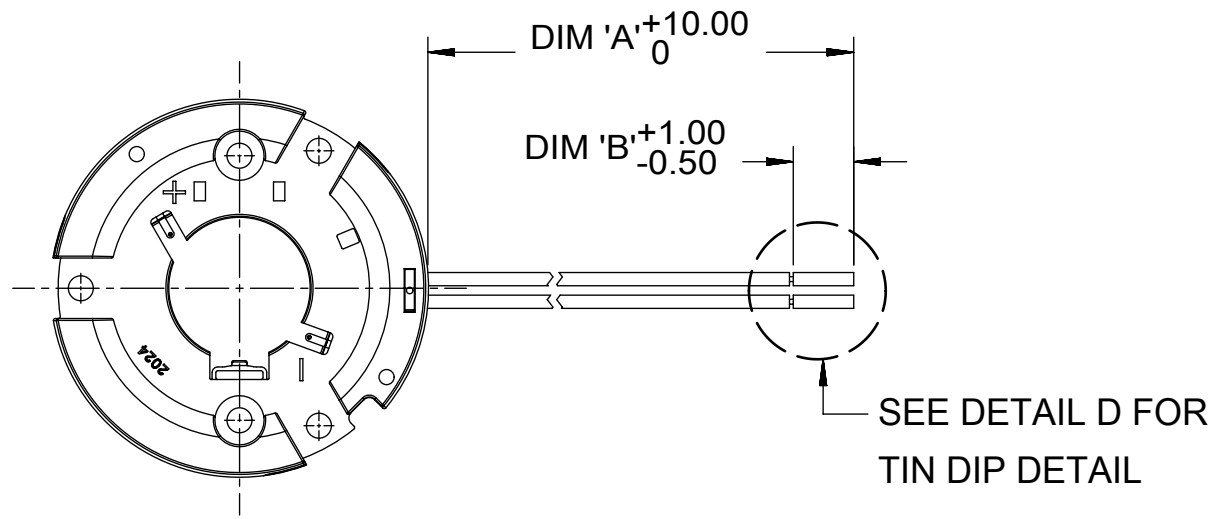


NOTES:

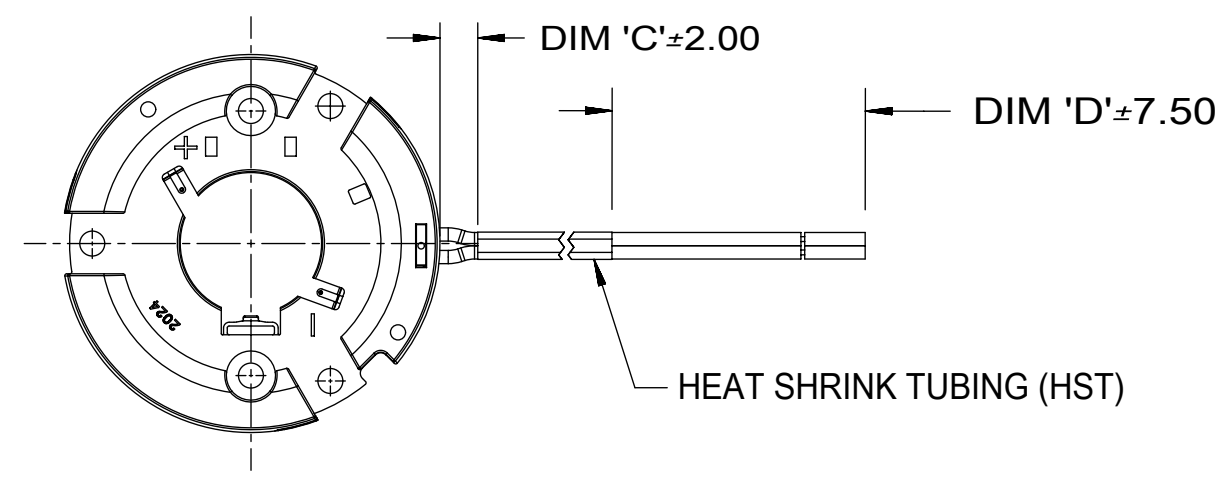
1. MATERIALS: HOUSING: POLYESTER (PBT), GLASS FILLED, UL94 V-0, COLOR: WHITE; TERMINALS: COPPER ALLOY. OPTIONAL: HEAT SHRINK TUBING
2. PLATING: TERMINAL CONTACT : SELECT GOLD (Au) OVER NICKEL (Ni).
3. WIRE SPECIFICATION: UL 3266, 125C, 300V, 20AWG
4. PRODUCT SPECIFICATION: PS-180555-002
5. PACKAGING SPECIFICATION: PK-180559-013 AND PK-180559-014.
6. APPLICATION SPECIFICATION: AS-180555-200.
7. DESIGNED TO BE USED WITH LUMILEDS COB 1204/1205/1208.
8. MOUNT HOLDER UTILIZING M3 SCREWS, TORQUE: 0.4 MINIMUM NEWTON METERS, 0.8 NEWTON METERS MAX.
9. UL 8754 RECOGNITION PENDING. FILE NUMBER: TBD
10. THIS PRODUCT IS ELV AND ROHS COMPLIANT
11. ALL DIMENSIONS IN PARENTHESIS (XX.XX) ARE FOR REFERENCE ONLY.

SYMBOLS	THIS DRAWING CONTAINS INFORMATION THAT IS PROPRIETARY TO MOLEX ELECTRONIC TECHNOLOGIES, LLC AND SHOULD NOT BE USED WITHOUT WRITTEN PERMISSION			
	DIMENSION UNITS	SCALE		CURRENT REV DESC: OBSOLETE PART NO.
▽ = 0	mm	1:1		EC NO: 632260 DRWN: RPRABHUM 2020/01/30 CHK'D: GGA 2020/02/28 APPR: GGA 2020/02/28
▽ = 0	GENERAL TOLERANCES (UNLESS SPECIFIED)			
▽ = 0		MM	INCH	INITIAL REVISION: DRWN: MDEVITO 2015/06/11 APPR:
▽ = 0	4 PLACES ±	±	±	
▽ = 0	3 PLACES ±	±	±	DOCUMENT NUMBER: SD-180555-141 DOC TYPE: PSD DOC PART: 000 REVISION: A6
▽ = 0	2 PLACES ±	0.25	±	
▽ = 0	1 PLACE ±	0.13	±	MATERIAL NUMBER: SEE CHART CUSTOMER: GENERAL MARKET SHEET NUMBER: 1 OF 3
▽ = 0	0 PLACES ±	±	±	
▽ = 0	ANGULAR TOL ± 0.5°			
▽ = 0	DRAFT WHERE APPLICABLE MUST REMAIN WITHIN DIMENSIONS		THIRD ANGLE PROJECTION	DRAWING: B-SIZE SERIES: 180555

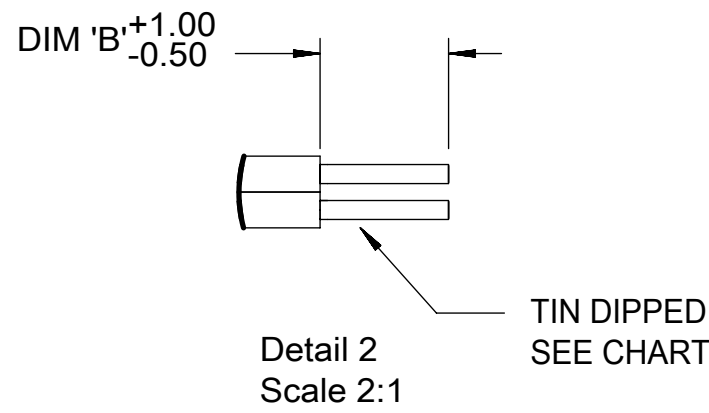
MOLEX PART NUMBER	DESCRIPTION	WIRE LENGTH	WIRE TYPE	FINISH	HEAT SHRINK TUBING	DIM. 'A'	DIM. 'B'	DIM. 'C'	DIM. 'D'
180555-1041	COB HOLDER W/O TUBING	600	STRANDED	TIN DIPPED	NO	600	8.5	X	X
180555-1043	COB HOLDER WITH HST	600	STRANDED	TIN DIPPED	YES (BLK)	600	8.5	5	22.5
180555-1048	COB HOLDER WITH HST	600	STRANDED	TIN DIPPED	YES (WHT)	600	8.5	5	22.5



COB HOLDER WITHOUT HEAT SHRINK TUBING



COB HOLDER WITH HEAT SHRINK TUBING



SYMBOLS	THIS DRAWING CONTAINS INFORMATION THAT IS PROPRIETARY TO MOLEX ELECTRONIC TECHNOLOGIES, LLC AND SHOULD NOT BE USED WITHOUT WRITTEN PERMISSION		CURRENT REV DESC: OBSOLETE PART NO.	
	DIMENSION UNITS	SCALE	<p>molex</p> <p>SLIMRAY COB HOLDER ASSEMBLY 20MM X 24MM</p> <p>PRODUCT CUSTOMER DRAWING</p>	
	mm	1:1		
	GENERAL TOLERANCES (UNLESS SPECIFIED)		EC NO: 632260	DRWN: RPRABHUM
▽ = 0	4 PLACES ±	MM	CHK'D: GGA	2020/02/28
▽ = 0	3 PLACES ±	INCH	APPR: GGA	2020/02/28
▽ = 0	2 PLACES ± 0.25		INITIAL REVISION:	
▽ = 0	1 PLACE ± 0.13		DRWN: MDEVITO	2015/06/11
▽ = 0	0 PLACES ±		APPR:	
⊠ = 0	ANGULAR TOL ± 0.5°			
■ = 0	DRAFT WHERE APPLICABLE MUST REMAIN WITHIN DIMENSIONS	THIRD ANGLE PROJECTION	DRAWING	SERIES
▽ = 0			B-SIZE	180555
		MATERIAL NUMBER	CUSTOMER	SHEET NUMBER
		SEE CHART	GENERAL MARKET	2 OF 3

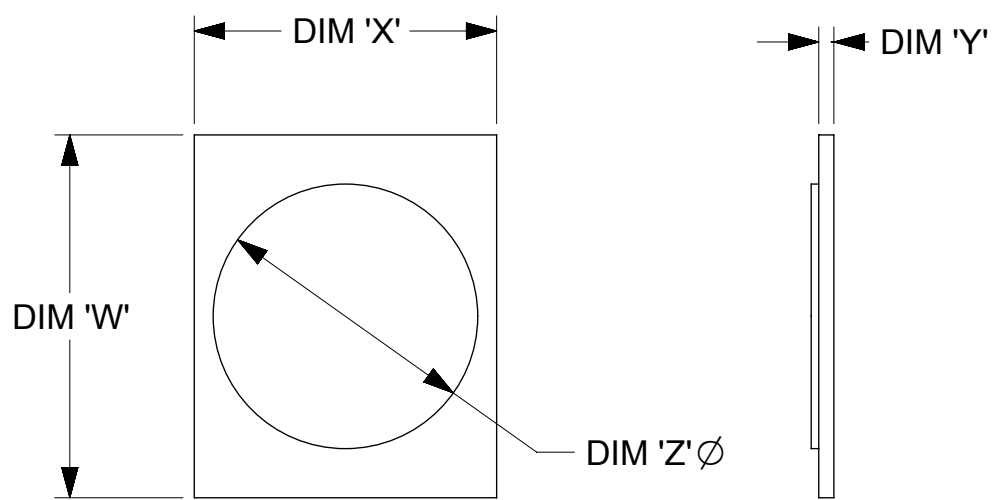
F

F

E

E

COB MFG	TYPE	DIM 'W'	DIM 'X'	DIM 'Y'	DIM 'Z'
LUMILEDS	LUXEON 1204/1205	24.0	20.0	1.0	15.5
LUMILEDS	LUXEON 1208	24.0	20.0	1.0	17.5
EVERLIGHT	EAHP2024W**	24.0	20.0	1.0	17.5



COB LED

C

C

B

B

A

A

SYMBOLS	THIS DRAWING CONTAINS INFORMATION THAT IS PROPRIETARY TO MOLEX ELECTRONIC TECHNOLOGIES, LLC AND SHOULD NOT BE USED WITHOUT WRITTEN PERMISSION									
	DIMENSION UNITS		SCALE		CURRENT REV DESC: OBSOLETE PART NO.					
▽ = 0	mm		1:1		molex SLIMRAY COB HOLDER ASSEMBLY 20MM X 24MM					
▽ = 0	GENERAL TOLERANCES (UNLESS SPECIFIED)									
▽ = 0			MM	INCH	EC NO: 632260 DRWN: RPRABHUM 2020/01/30 CHK'D: GGA 2020/02/28 APPR: GGA 2020/02/28					
▽ = 0	4 PLACES	±			PRODUCT CUSTOMER DRAWING DOCUMENT NUMBER: SD-180555-141 DOC TYPE: PSD DOC PART: 000 REVISION: A6					
▽ = 0	3 PLACES	±								
▽ = 0	2 PLACES	±	0.25		INITIAL REVISION: DRWN: MDEVITO 2015/06/11 APPR:					
▽ = 0	1 PLACE	±	0.13							
▽ = 0	0 PLACES	±			MATERIAL NUMBER: SEE CHART CUSTOMER: GENERAL MARKET SHEET NUMBER: 3 OF 3					
▽ = 0	ANGULAR TOL		±	0.5°						
▽ = 0	DRAFT WHERE APPLICABLE MUST REMAIN WITHIN DIMENSIONS		THIRD ANGLE PROJECTION		DRAWING	SERIES				
▽ = 0					B-SIZE	180555				