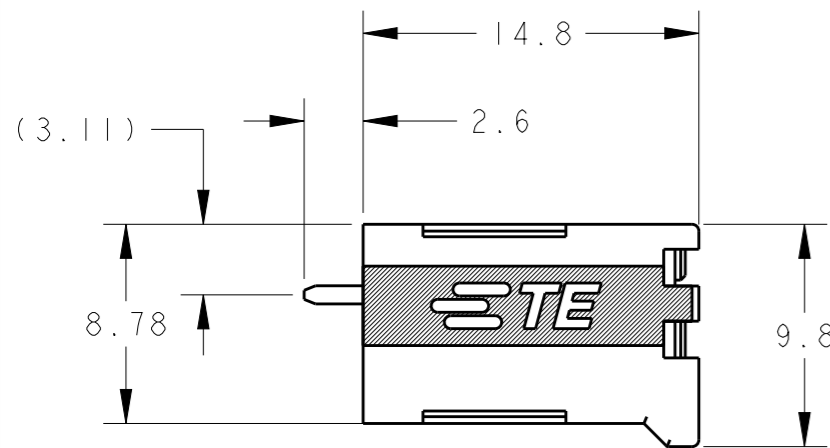
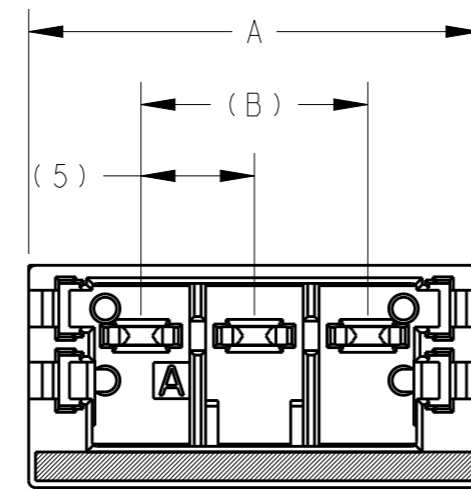
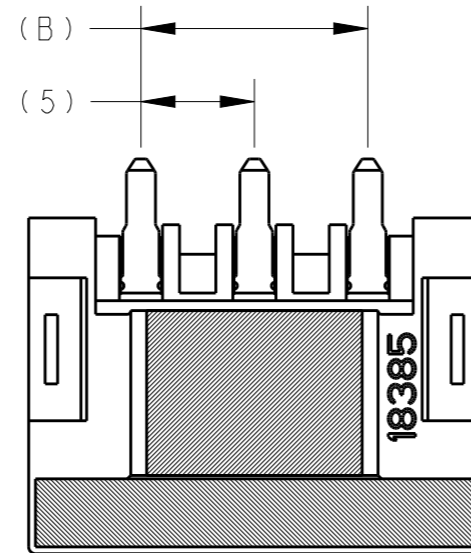


P	LTR	DESCRIPTION	DATE	DWN	APVD
	A	RELEASE	04NOV2020	T.S	E.I

1 MATERIAL AND FINISH
 HOUSING : LIQUID CRYSTAL PLASTIC, BLACK
 CONTACT : COPPER ALLOY, PLATING: CONTACT AREA SEE TABLE
 SOLDERING AREA TIN
 2. INSTRUCTION SHEET: 408-78171

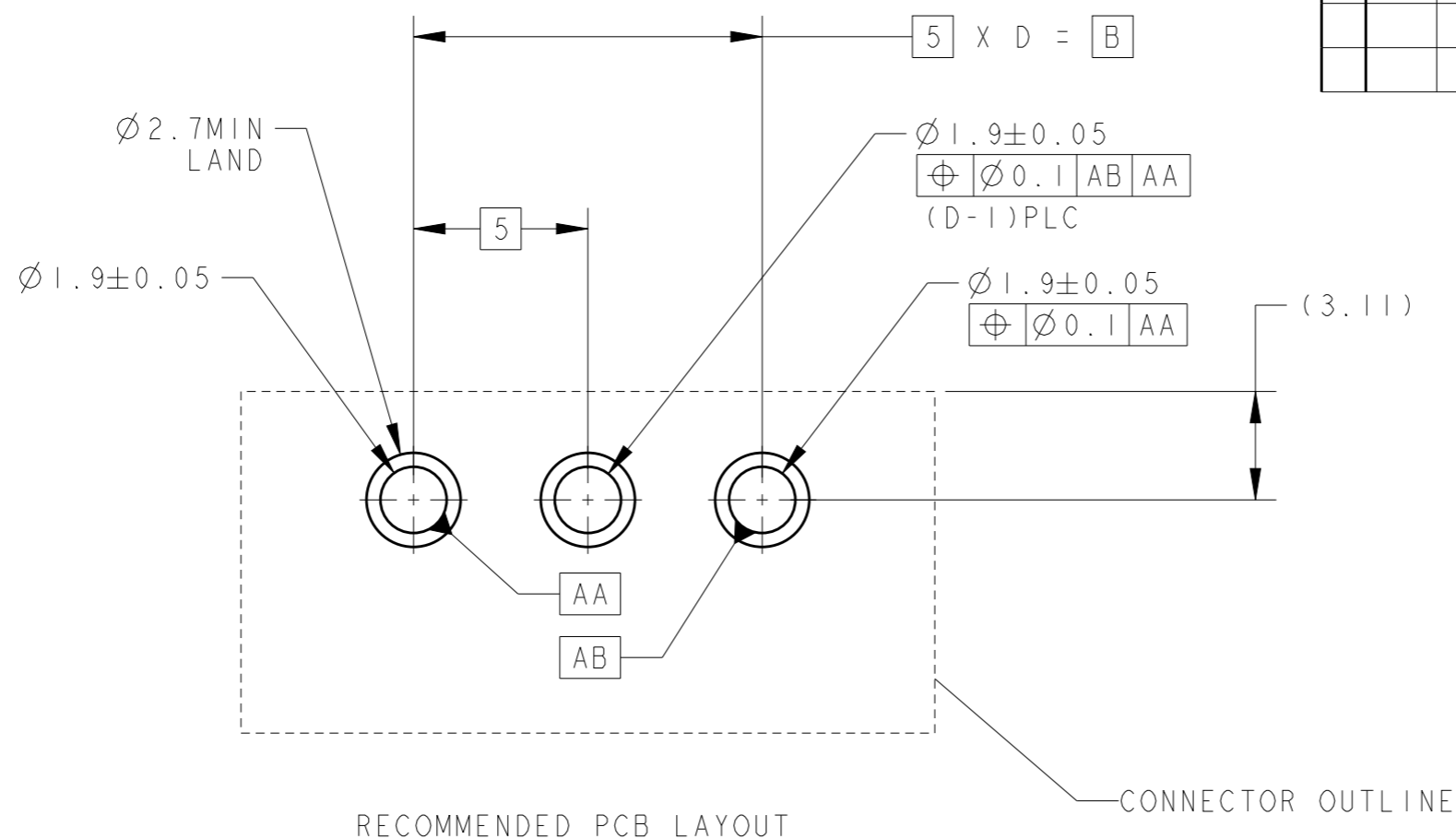


CONTACT PLATING	D	DIM B	DIM A	NO OF POSN	PART NUMBER
0.38um GOLD	3	15	24.9	4	2-2336494-4
0.38um GOLD	2	10	19.9	3	2-2336494-3
TIN	3	15	24.9	4	2336494-4
TIN	2	10	19.9	3	2336494-3

THIS DRAWING IS A CONTROLLED DOCUMENT.		DWN H. OSABE 04NOV2020	TE Connectivity	
DIMENSIONS: mm		CHK T. SHIMOYASU 04NOV2020		
TOLERANCES UNLESS OTHERWISE SPECIFIED:		APVD F. IKEMATSU 04NOV2020	NAME HEADER ASSEMBLY, 180 DEGREE TYPE D2970 PUSH-IN TYPE, DYNAMIC FIELD INSTALLABLE CONNECTOR	
0 PLC ±0.5 1 PLC ±0.5 2 PLC ±0.5 3 PLC ± 4 PLC ± ANGLES ±5°		PRODUCT SPEC 108-140223	RESTRICTED TO	
MATERIAL		APPLICATION SPEC -	SIZE A3	CAGE CODE 00779
FINISH		WEIGHT -	DRAWING NO C-2336494	REV A
		CUSTOMER DRAWING		SCALE 3:1
		SHEET 1 OF 2		

REVISIONS

P	LTR	DESCRIPTION	DATE	DWN	APVD
-		SEE SHEET 1	-	-	-



THIS DRAWING IS A CONTROLLED DOCUMENT.		DWN H. OSABE 15MAY2019														
DIMENSIONS: mm		CHK T. SHIMOYASU 15MAY2019														
TOLERANCES UNLESS OTHERWISE SPECIFIED:		APVD F. IKEMATSU 15MAY2019	NAME HEADER ASSEMBLY, 180 DEGREE TYPE D2970 PUSH-IN TYPE, DYNAMIC FIELD INSTALLABLE CONNECTOR													
<table border="1"> <tr><td>0 PLC</td><td>±0.5</td></tr> <tr><td>1 PLC</td><td>±0.5</td></tr> <tr><td>2 PLC</td><td>±0.5</td></tr> <tr><td>3 PLC</td><td>±</td></tr> <tr><td>4 PLC</td><td>±</td></tr> <tr><td>ANGLES</td><td>±5°</td></tr> </table>		0 PLC	±0.5	1 PLC	±0.5	2 PLC	±0.5	3 PLC	±	4 PLC	±	ANGLES	±5°	PRODUCT SPEC 108-140223	RESTRICTED TO	
0 PLC	±0.5															
1 PLC	±0.5															
2 PLC	±0.5															
3 PLC	±															
4 PLC	±															
ANGLES	±5°															
MATERIAL -		APPLICATION SPEC -	SIZE A3	CAGE CODE 00779												
FINISH -		WEIGHT -	DRAWING NO C-2336494	REV A												
CUSTOMER DRAWING			SCALE 3:1	SHEET 2 OF 2												