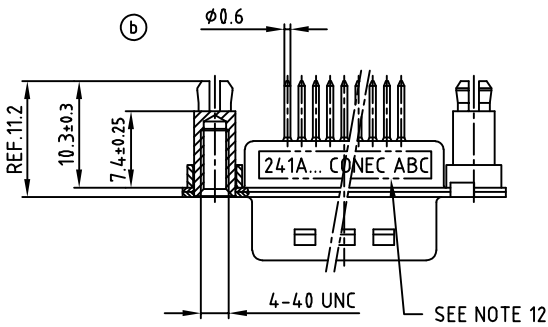
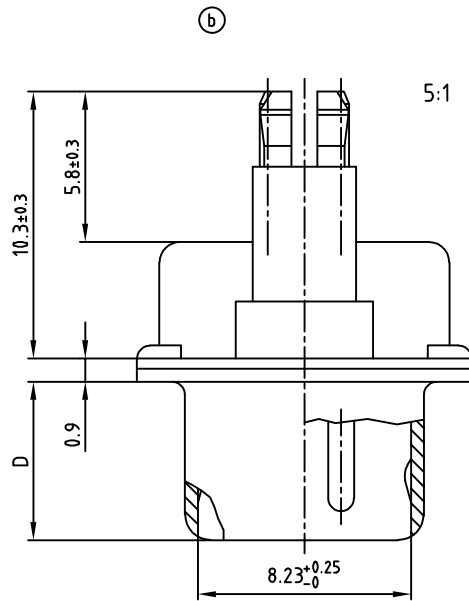
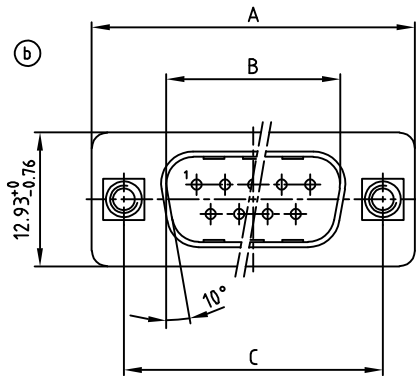


used for: D-SUB FILTER

POS.	A -0.76	B $+0.25$	C	D -0.3	PART NO.
9	31.19	16.79	25.00 $\begin{smallmatrix} +0.12 \\ -0.13 \end{smallmatrix}$	6.12	241A15140X
15	39.52	25.12	33.30 $\begin{smallmatrix} +0.15 \\ -0.1 \end{smallmatrix}$	6.12	241A15150X
37	69.70	55.30	63.50 ± 0.13	5.99	241A15170X



NOTES:

1. RoHS COMPLIANT
2. SUITABLE FOR WAVE SOLDERING
3. METALSHELLS: STEEL; min. 315µm TIN over 40-80µm NICKEL
4. INSULATORS: HIGH TEMPERATURE PLASTIC UL 94 V-0, BLACK
5. CONTACTS: COPPER ALLOY
PLATING: 8µm HARD GOLD OVER min. 50µm NICKEL
6. THREADED SPACER CLIP: COPPER ALLOY; min. 200µm TIN over 80µm NICKEL
PCB-HOLE: $\phi 3.1 \pm 0.1$; PCB THICKNESS 1.6mm
7. COLLAR: COPPER ALLOY; min. 200µm TIN over 80µm NICKEL
8. P.C.B. HOLE DRILLINGS ON SHEET 2
9. CAPACITANCE: 1300pF $\pm 20\%$
10. DIELECTRIC WITHSTANDING VOLTAGE: 424 VDC
11. MAXIMUM TORQUE VALUE FOR THREAD: 6in.LB
12. CONNECTOR IS PART MARKED: PART-NO. CONEC ABC

RoHS compliant

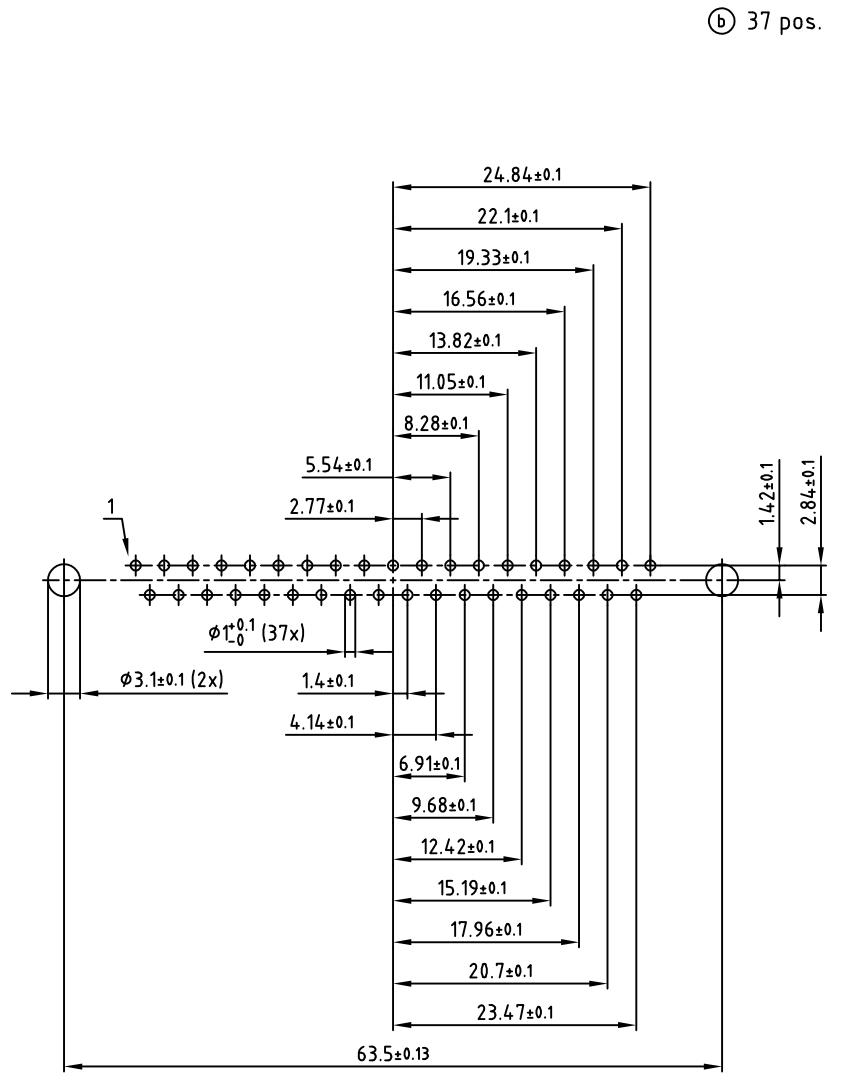
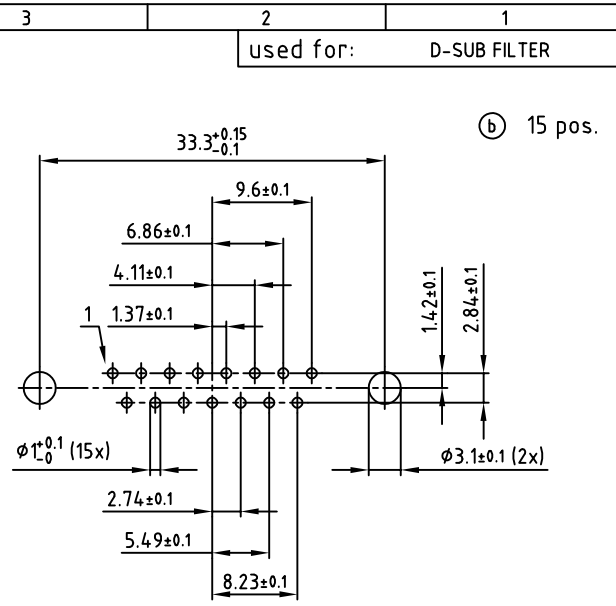
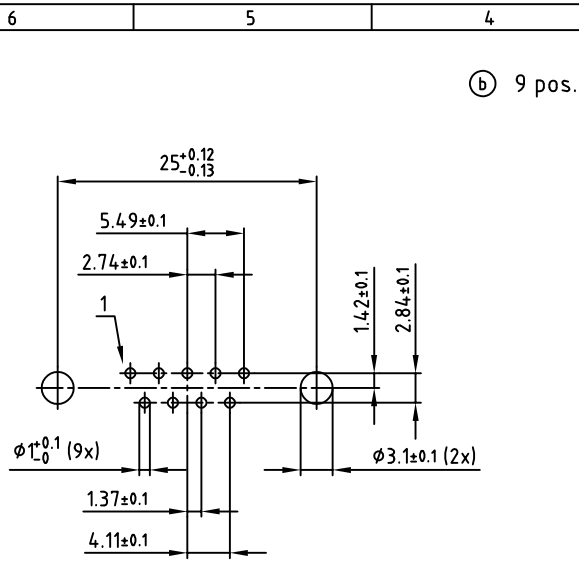
APPROVAL # FREIGABE # DEBLOCAGE # AUTORIZACION # APPROVAL	
CUSTOMER APPROVAL DATE:	
NAME:	TITLE:
COMPANY NAME:	
APPROVAL # FREIGABE # DEBLOCAGE # AUTORIZACION # APPROVAL	

THIS DRAWING MAY NOT BE COPIED OR REPRODUCED IN ANY WAY, AND MAY NOT BE PASSED ON TO A THIRD PARTY, WITHOUT WRITTEN PERMISSION. OWNERSHIP AND COPYRIGHT OF CONEC GmbH DO NOT ALTER CAD DRAWING BY HAND

rev.	description	date	name	tolerance	dim. in mm
1 x c	Ä 3200	27.11.08	Petker	1998	date
4 x b	Ä 3194	24.11.08	Petker	drawn	08.05.
a	Origin			appd.	08.05.
				norm	DIN 41652



scale:	2:1 (5:1)
material:	SEE NOTES
title:	D-SUB FILTER MALE P-TYP 9-37pos. PIN 5.8mm WITH THREADED SPACER CLIP
dwg no:	AutoCAD 2000
part no:	SEE TABLE
DIN-A	3
sh:1/2	



APPROVAL # FREIGABE # DEBLOCAGE # AUTORIZACION # APPROVAL

CUSTOMER APPROVAL DATE:

NAME: TITLE:

COMPANY NAME:

APPROVAL # FREIGABE # DEBLOCAGE # AUTORIZACION # APPROVAL

THIS DRAWING MAY NOT BE COPIED OR REPRODUCED IN ANY WAY, AND MAY NOT BE PASSED ON TO A THIRD PARTY, WITHOUT WRITTEN PERMISSION. OWNERSHIP AND COPYRIGHT OF CONEC GmbH DO NOT ALTER CAD DRAWING BY HAND

rev.	description	date	name
4 x b	Ä 3194	24.11.2008	Petker
a	Origin		

tolerance		dim. in mm	
1998	date	name	
drawn	08.05.	Barcinski	
appd.	08.05.	Mickenbecker	
norm	DIN 41652		
d-old			

scale: 2:1

material: SEE SHEET 1

title: P.C.B. HOLE DRILLINGS
D-SUB FILTER MALE P-TYP 9-37pos. PIN 5.8mm
WITH THREADED SPACER CLIP

dwg no: AutoCAD 2006 DIN-A
24K11Y9A 3 sh:2/2

part no: SEE SHEET 1