



## BOARD LEVEL COOLING – Channel 6038

Channel 6038 is a series of channel board level heat sinks designed to cool TO-220 and TO-220-single gauge devices. Representative image only.

## ORDERING INFORMATION

Part Number	Device Type
6038BG	TO-220, TO-220-single gauge
6038B-TTG	TO-220, TO-220-single gauge



## HEAT SINK DETAILS

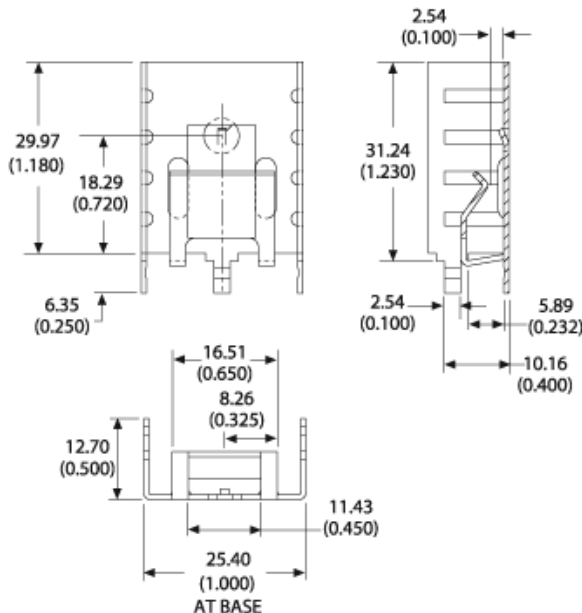
Property	Details
Material	See Table Below
Finish	See Table Below
Device Attachment Options	Integrated Mounting Clip
Thermal Interface Material	-

Property	Details
Heat Sink Width (mm)	25.40
Heat Sink Length (mm)	12.70
Heat Sink Height (mm)	29.97
Heat Sink Mounting Direction	Vertical

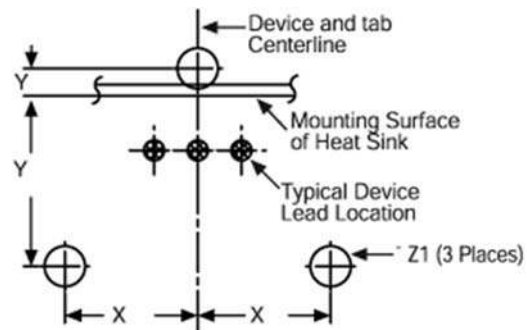
## MECHANICAL & PERFORMANCE

Drawing dimensions are shown in mm, (in)

Part Number	Material	Finish	"X" Dim	"Y" Dim	"YT" Dim	"Z" Dim
6038BG	Aluminum	Black Anodize	12.29 (0.484)	8.08 (0.318)	0.41 (0.016)	3.81 (0.150)
6038B-TTG	Copper	Black Paint	12.29 (0.484)	8.08 (0.318)	0.41 (0.016)	3.81 (0.150)



Mounting Details:



# Board Level Cooling – Channel 6038

