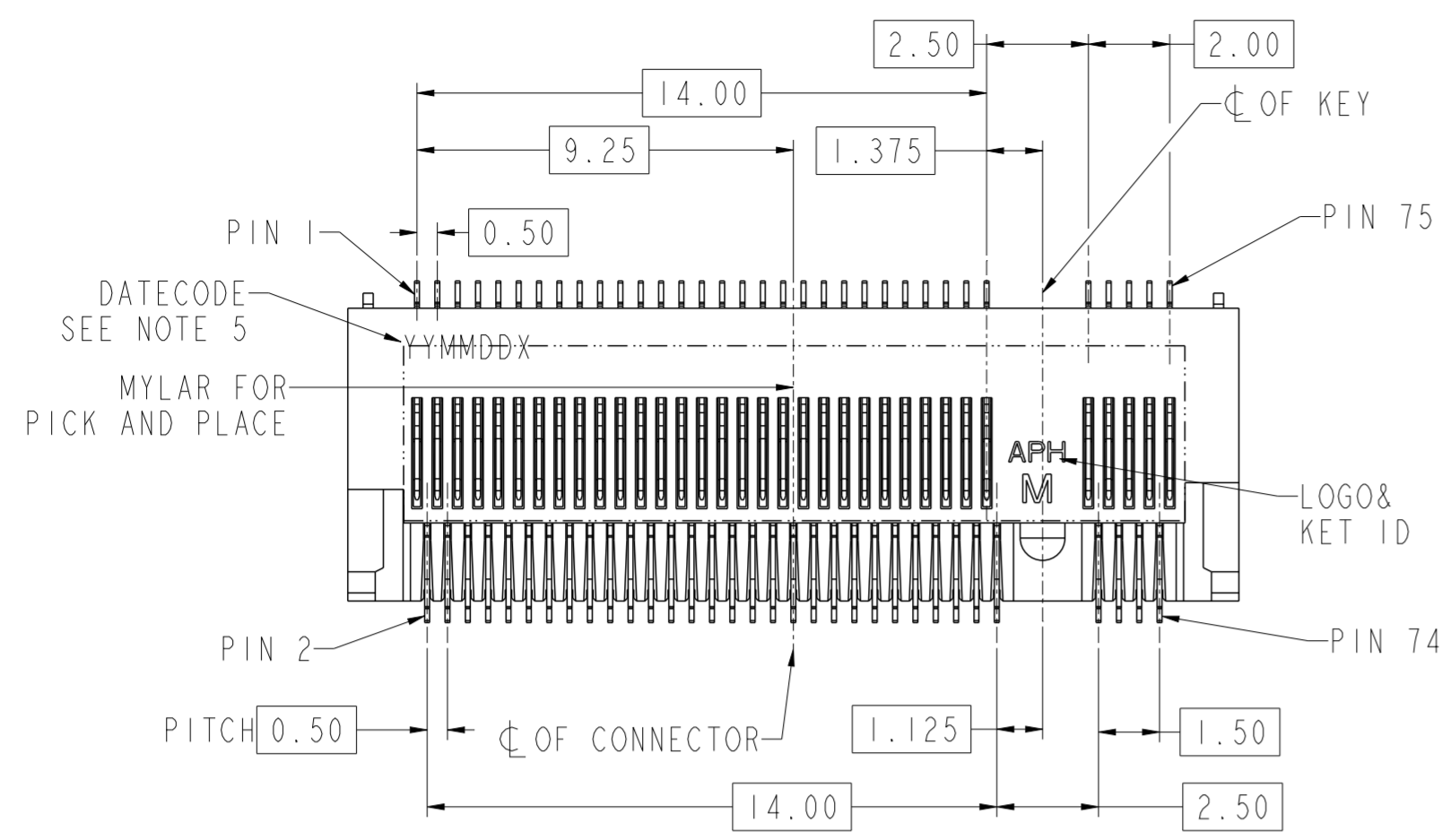


ZONE	REV	DESCRIPTION	DATE
NA	A	INITIAL RELEASE	2023/07/11

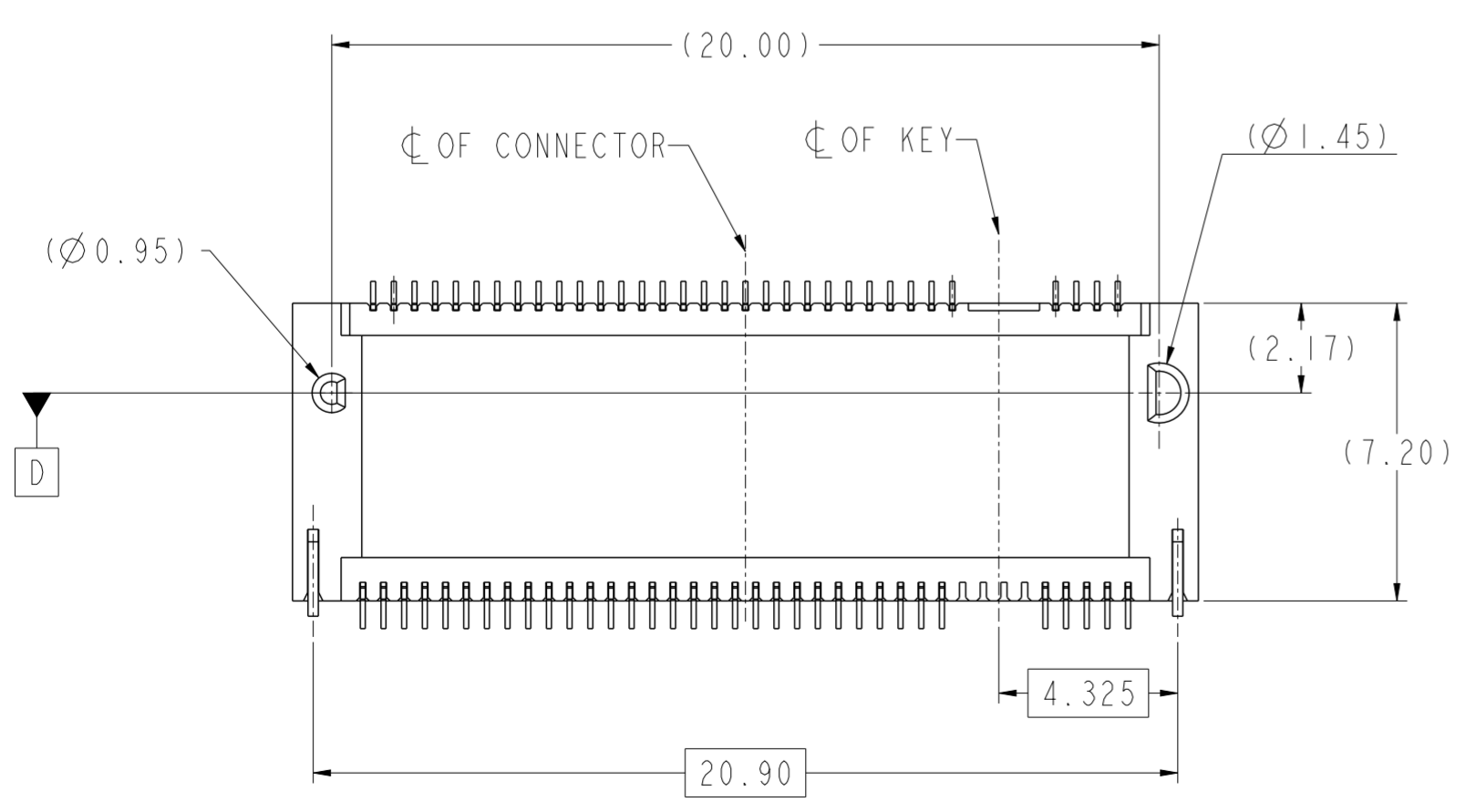
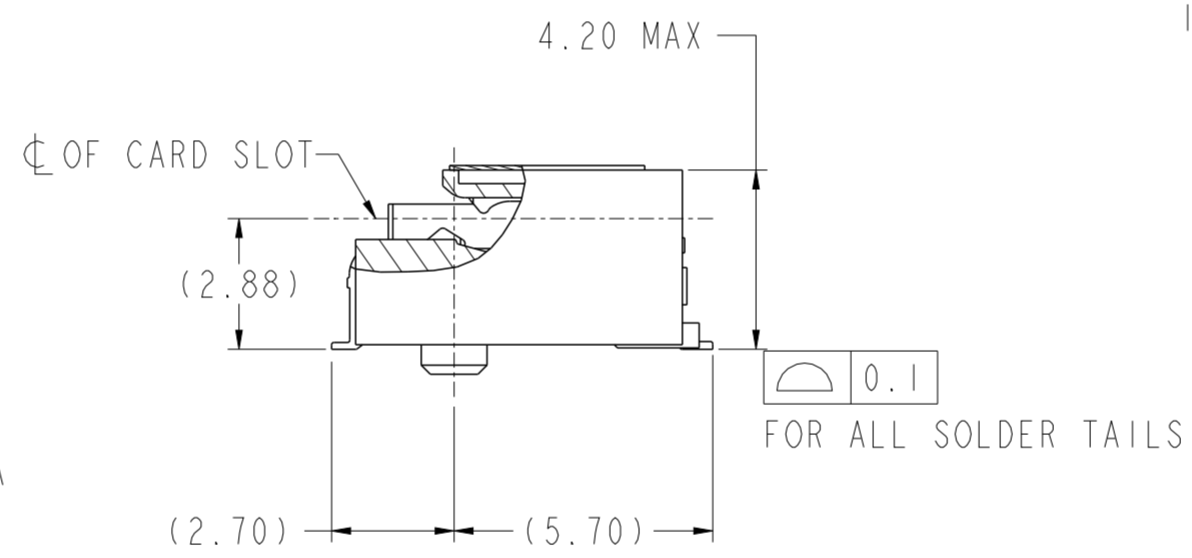
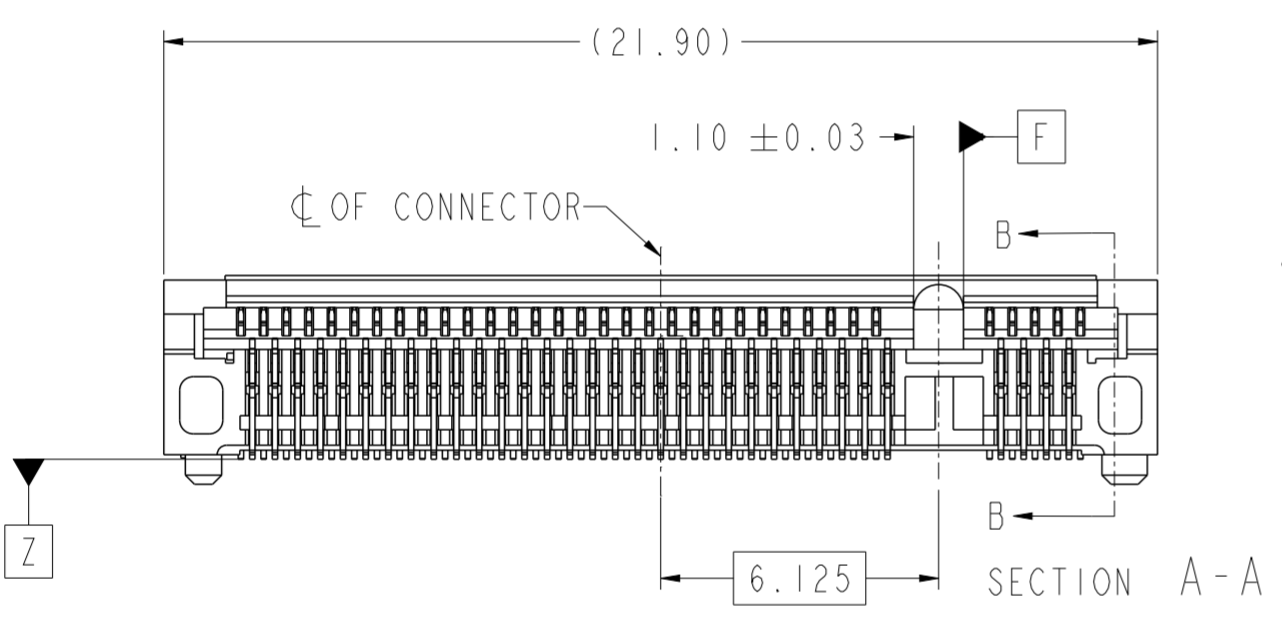


- NOTE:
- MATERIAL:
 PLASTIC: HIGH TEMP THERMOPLASTIC, UL 94V-0, BLACK
 CONTACT: COPPER ALLOY
 BOARD LOCK: COPPER ALLOY
 - FINISHED:
 2.1 CONTACT:
 CONTACT AREA: GOLD PLATING
 (THICKNESS SEE THE PN DESCRIPTION) ON CONTACT AREA
 SOLDER AREA: GF, NI UNDER PLATED ALL OVER.
 2.2 BOARD LOCK: TIN PLATING WITH NI ALL OVER.
 - PRODUCT SPECIFICATION: GS-12-XXXX
 - PACKAGE SPECIFICATION: GS-14-XXXX
 - PRODUCT MARKING, (PART NUMBER & LOT CODE), ON THIS SURFACE
 - LEAD FREE PRODUCT MEETS THE EUROPEAN UNION DIRECTIVES & OTHER COUNTRY REGULATIONS AS DESCRIBED IN GS-47-0004
 - THE CONNECTOR WILL WITHSTAND EXPOSURE TO 260°C PEAK TEMPERATURE FOR 10-30 SECONDS IN CONVECTION, INFRARED, OR VAPOR PHASE REFLOW OVEN

ORDER P/N SYSTEM:
 10157930-00XRLF

LF: LEAD FREE
 R: TAPE & REEL PACKING

PLATING CODE:
 1 0.76 MIN MICRONS GOLD PLATING
 2 0.38 MIN MICRONS GOLD PLATING
 3 GOLD FLASH

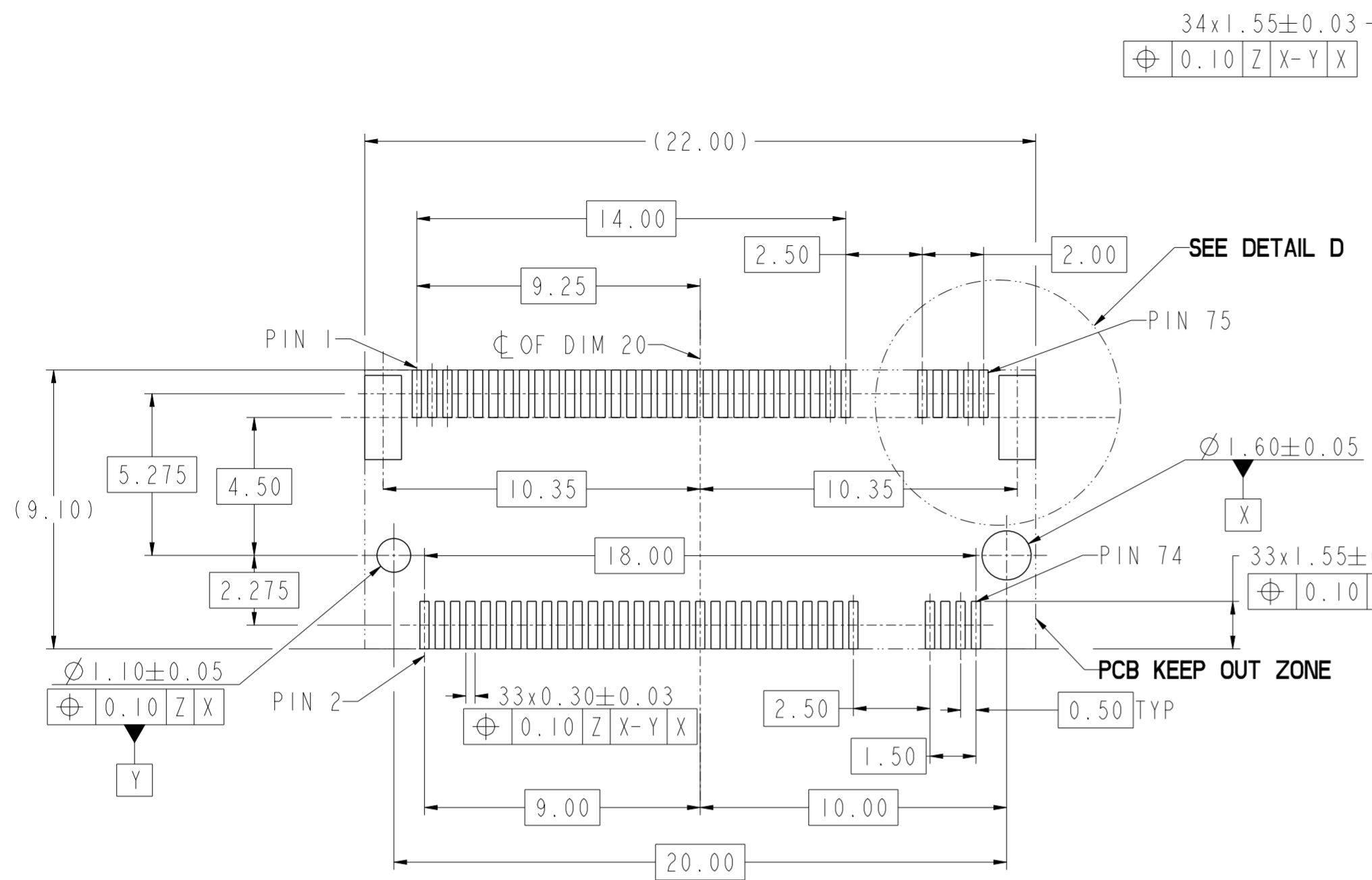


tolerance std	ASME Y 14.5	TOLERANCES UNLESS OTHERWISE SPECIFIED	dr	Michael Song	2021/01/08	projection	MM	size	A2	scale	6:1
eng	Huang, Xi-Chen	2023/07/13	chr	-	-	ecn no	-	rel level	Released	cat. no.	10157930
appr	Heaven Cen	2023/07/13	product family	M.2 4.2H MINI PCIe CONNECTOR			rev	A	Product - Customer Draw	sheet 1 of 2	
surface	ASME Y 14.5	linear	0.X	±0.30	0.XX	±0.20	0.XXX	±0.10	angular	0°	±2°

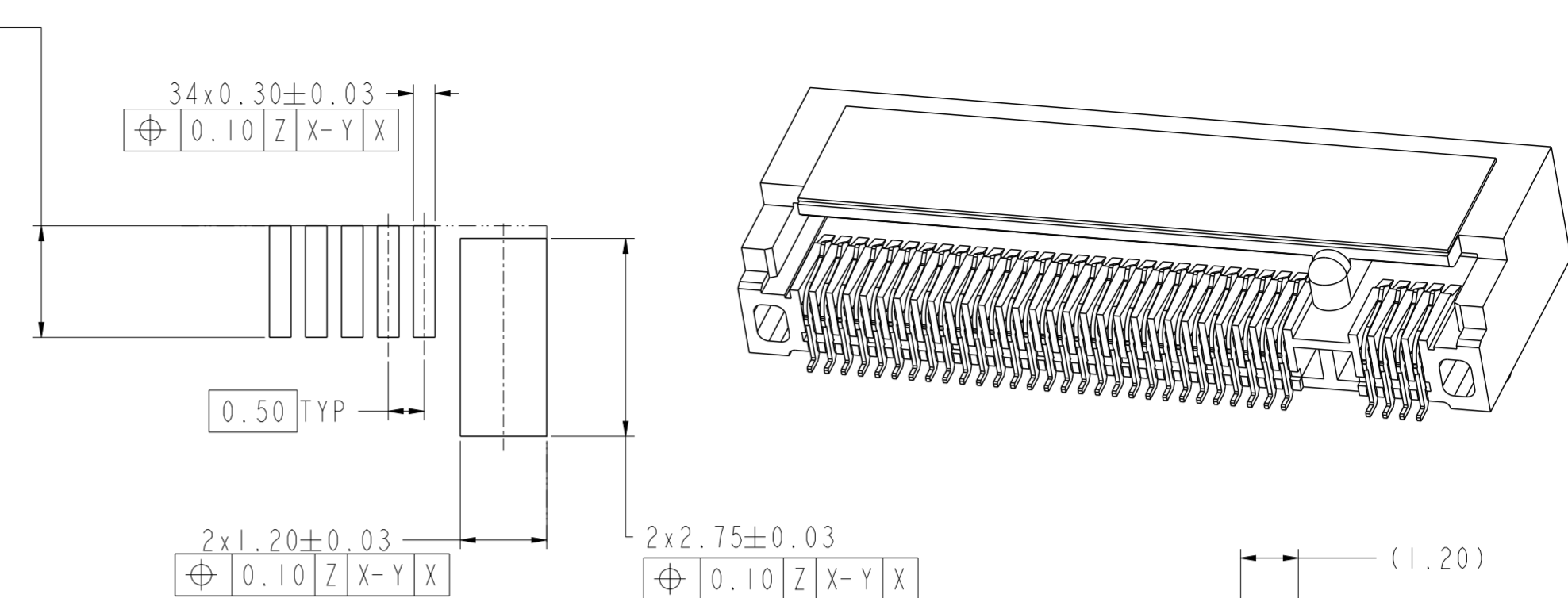
Amphenol FCI

© 2020 Amphenol Corporation

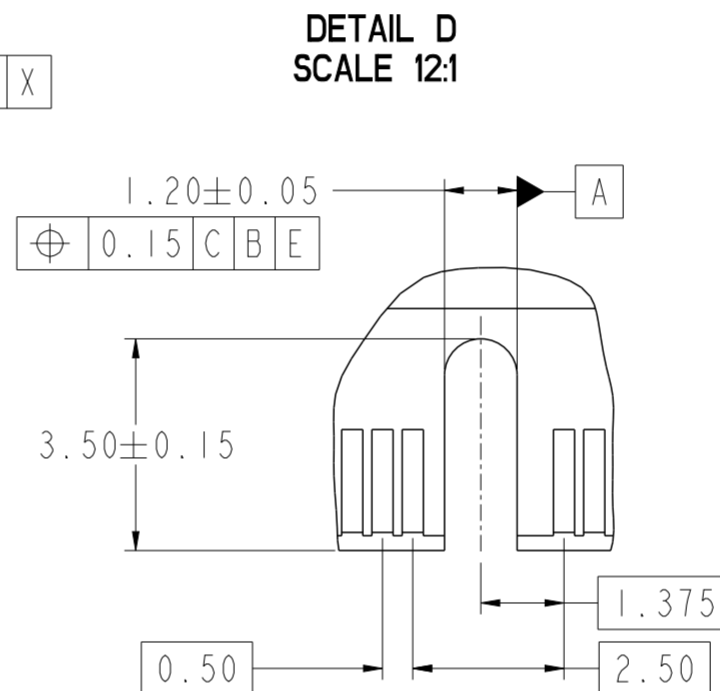
Creo File:ELX-MC-ADC_REV F_2020-12-21



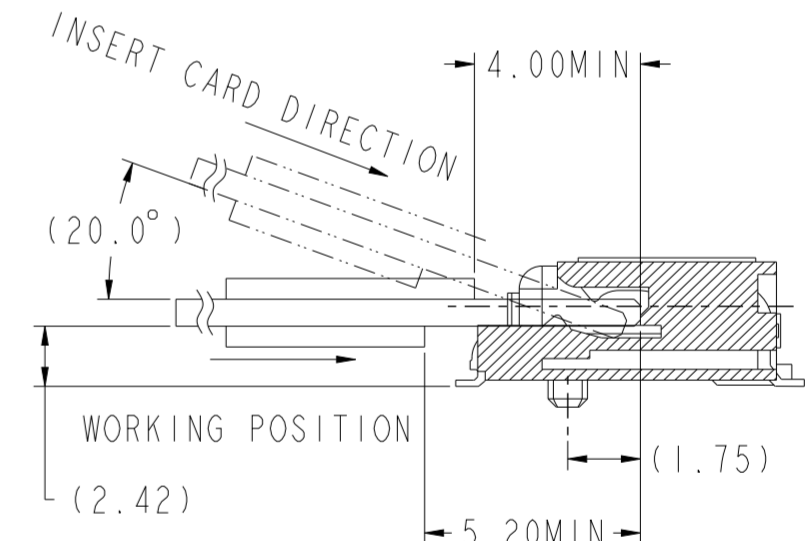
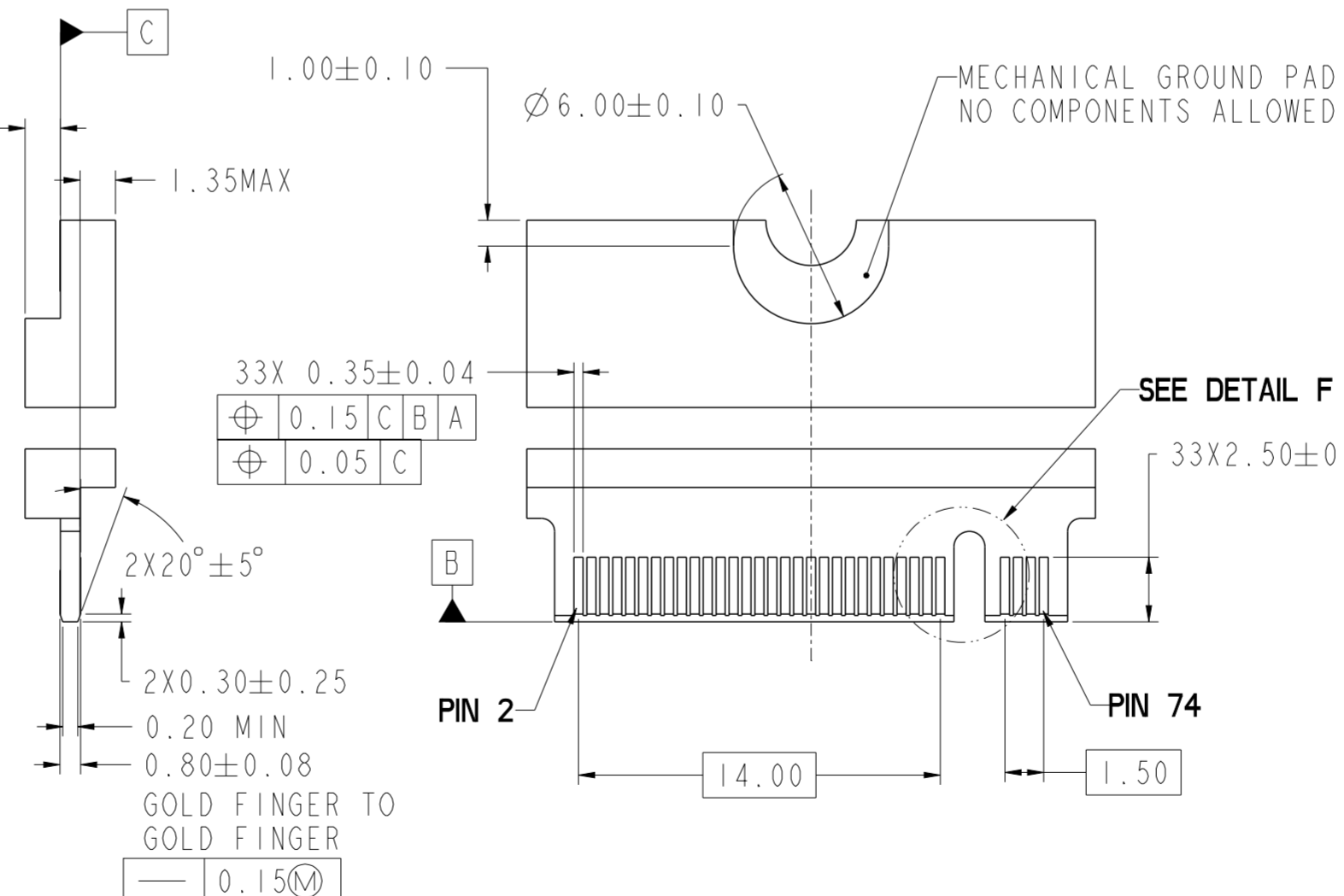
RECOMMENDED M.2 MINI CARD MOUNTING TYPE SMT PCB OUTLINE
DATUM Z:PCB SOLDER SURFACE
KEEP OUT ZONE



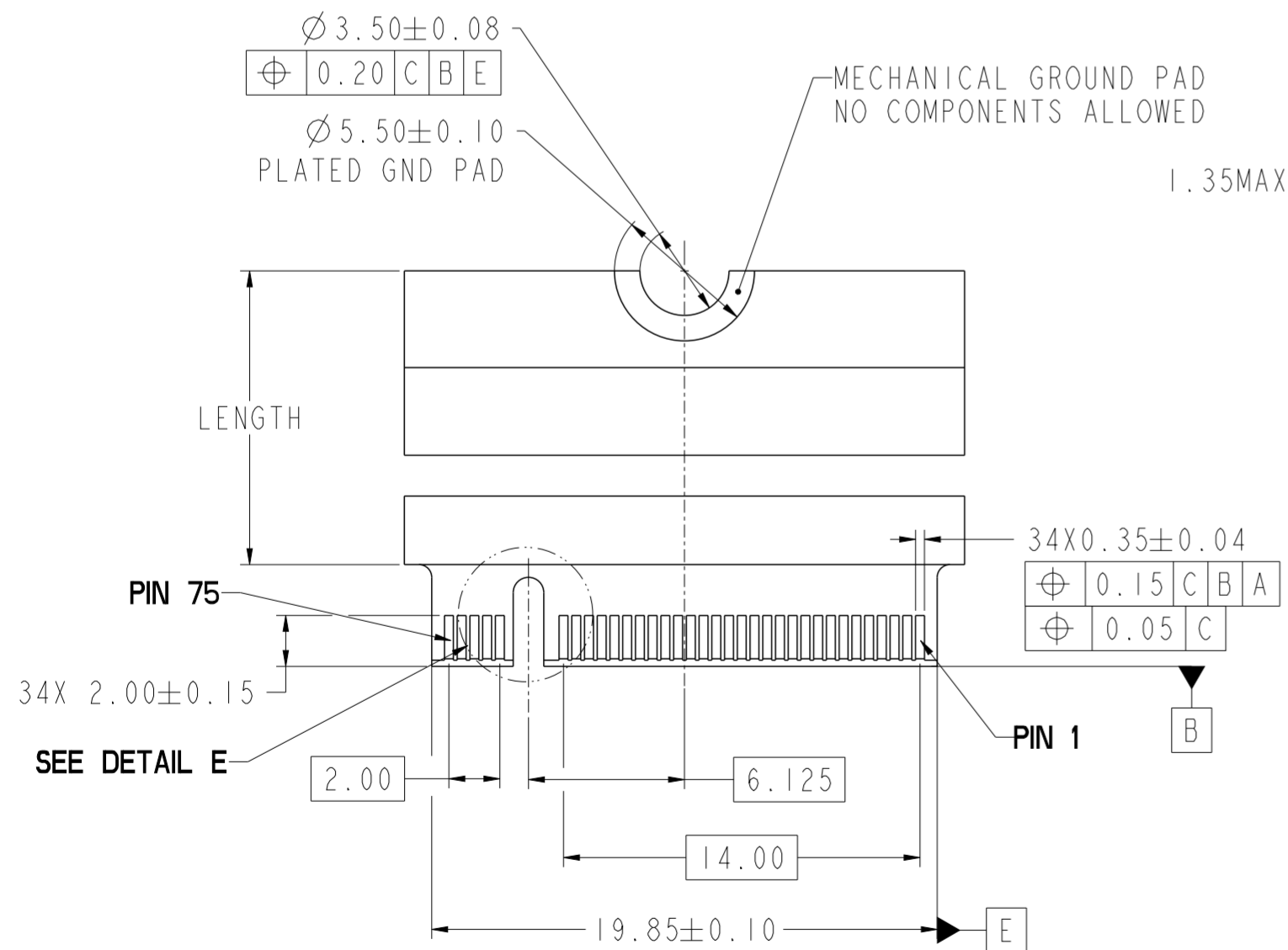
DETAIL D
SCALE 12:1



DETAIL E
SCALE 12:1



SECTION B-B



TOP VIEW OF CARD

tolerance std	ASME Y 14.5	TOLERANCES UNLESS OTHERWISE SPECIFIED	dr	Michael Song	2021/01/08	projection	MM	size	A2	scale	6:1
eng	Huang, Xi-Chen		chr	-		product family		ecn no			
appr	Heaven Cen		appr	Heaven Cen	2023/07/13			rel level	Released		
surface	linear	0.X ±0.30 0.XX ±0.20 0.XXX ±0.10	Amphenol FCI	M.2 4.2H MINI PCIe CONECTOR			dwg no	10157930		rev	A
ASME Y 14.5	angular	0° ±2°		M KEY			cat. no.	Product - Customer Draw		sheet 2 of 2	