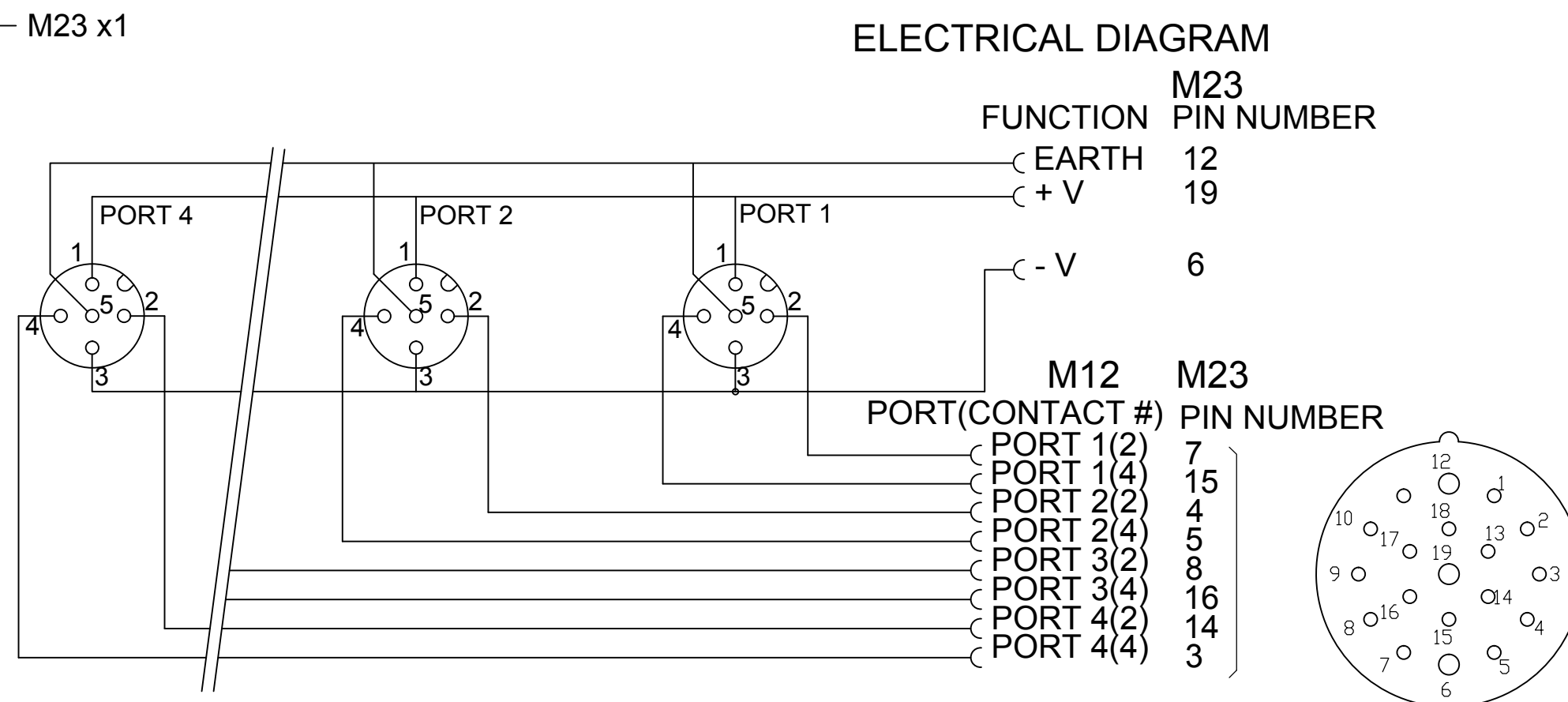
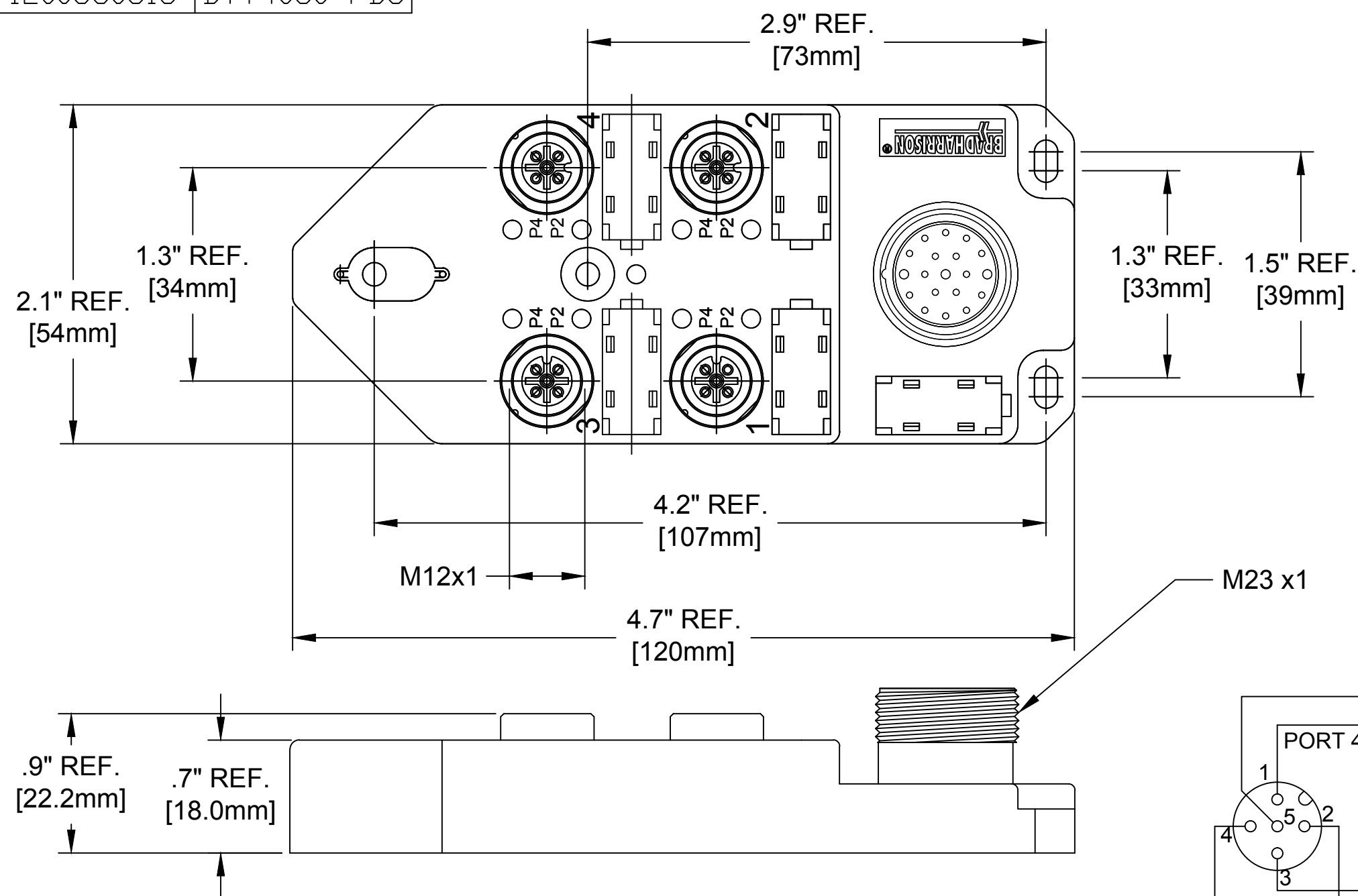


MATERIAL NUMBER	OLD PART NUMBER
1200550313	BTY4030-FBC



FACE VIEW
MALE M23 CONNECTOR

VOLTAGE RATING	10-30 VDC
AMPERAGE RATING PER PORT	4 AMPS
PROTECTION	IP67
OPERATING TEMPERATURE	-5°C TO 80°C

COMPONENT	MATERIAL	FINISH
M12 INSERT	PBT	YELLOW
CONTACT SOCKET	COPPER ALLOY	GOLD OVER NICKEL
O-RING	VITON	RED
RECEPTACLE SHELL	BRASS	NICKEL PLATED
HOUSING	PBT	YELLOW
LABELS	ABS	WHITE

RELEASE EC NO: IFC2014-0508 DRWN: GGUSTAFS 2013/09/06 CHKD: VOU APPR: BWOODMAN2013/11/01	QUALITY SYMBOL	GENERAL TOLERANCES (UNLESS SPECIFIED)	DIMENSION STYLE	SCALE	DESIGN UNITS	THIRD ANGLE PROJECTION														
	$\nabla=0$ $\nabla C=0$	<table border="1"> <thead> <tr> <th></th> <th>mm</th> <th>INCH</th> </tr> </thead> <tbody> <tr> <td>4 PLACES</td> <td>±---</td> <td>±---</td> </tr> <tr> <td>3 PLACES</td> <td>±---</td> <td>±.005</td> </tr> <tr> <td>2 PLACES</td> <td>±0.13</td> <td>±.010</td> </tr> <tr> <td>1 PLACE</td> <td>±0.25</td> <td>±.020</td> </tr> </tbody> </table>		mm	INCH		4 PLACES	±---	±---	3 PLACES	±---	±.005	2 PLACES	±0.13	±.010	1 PLACE	±0.25	±.020	IN/MM	NTS
		mm	INCH																	
	4 PLACES	±---	±---																	
3 PLACES	±---	±.005																		
2 PLACES	±0.13	±.010																		
1 PLACE	±0.25	±.020																		
REV	DESCRIPTION	ANGULAR ±.5°	DRAWN BY	DATE	TITLE															
A		DRAFT WHERE APPLICABLE MUST REMAIN WITHIN DIMENSIONS	GGUSTAFS	2013/09/06	4 PORT MIC MPIS TOP MOUNT NO LED 19P M M23/HR CONNECTOR															
			CHECKED BY	DATE																
			VOU	2013/10/10																
			APPROVED BY	DATE																
			BWOODMAN	2013/11/01																
			MATERIAL NO.	DOCUMENT NO.	SHEET NO.															
			SEE CHART	SD-120055-003	1 OF 1															
			SIZE	THIS DRAWING CONTAINS INFORMATION THAT IS PROPRIETARY TO MOLEX INCORPORATED AND SHOULD NOT BE USED WITHOUT WRITTEN PERMISSION																
			C																	