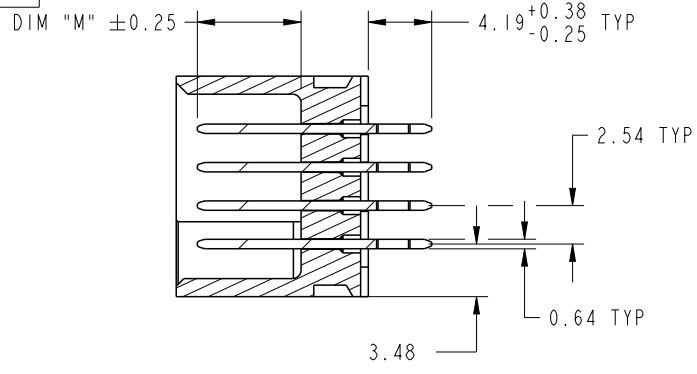
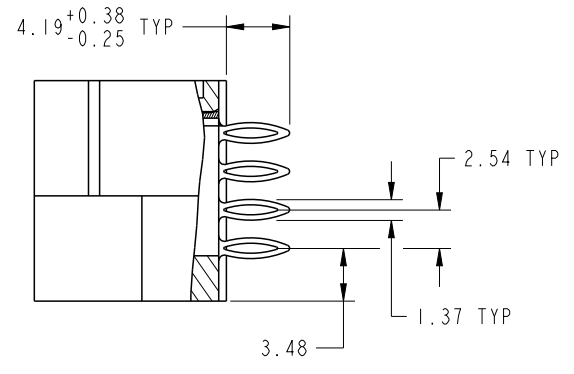




PRODUCT NUMBER  
51952-261--  
NOTE 3



SECTION A-A  
SCALE 2:1



SECTION B-B  
SCALE 2:1

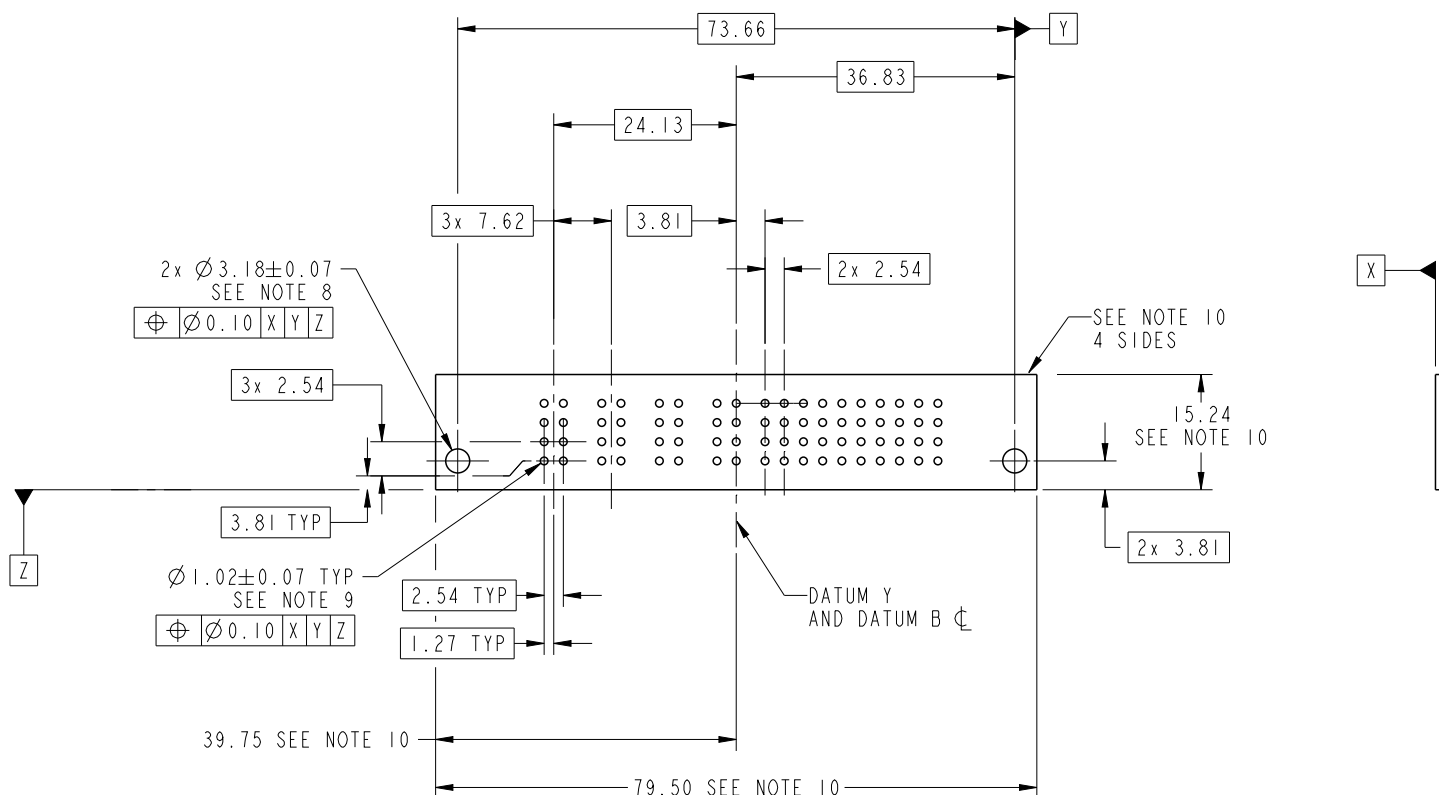


Copyright FCI.

dr	Ruan MT	2013/09/04	projection 	MM 	size	A4	scale	1:1	
eng	Ruan MT	2014/07/03			ecn no	-			
chr	-	-			rel level	Released			
appr	Pei-Ming Zheng	2014/07/03	product family	PwrBlade					
		title	4ACP+40S		dwg no	51952-261		rev	A
www.fci.com		cat. no.	&model_name	Product - Customer Drw		sheet 2 of 4			

PRODUCT NUMBER

51952-261 --  
NOTE 3



RECOMMENDED PCB LAYOUT

dr	Ruan MT	2013/09/04	projection 	MM ←→	size	A4	scale	1:1
eng	Ruan MT	2014/07/03			ecn no	-		
chr	-	-			rel level	Released		
appr	Pei-Ming Zheng	2014/07/03	product family	PwrBlade				
	title	4ACP+40S VERTICAL PRESS FIT HEADER		dwg no	51952-261		rev	A
www.fci.com	cat. no.	&model_name	Product - Customer Drw		sheet 3 of 4			

PRODUCT NUMBER

51952-261 --  
NOTE 3

NOTES:

1. DIMENSIONS AND TOLERANCES ARE IN ACCORDANCE WITH ASME Y14.5M, 1994 UNLESS OTHERWISE SPECIFIED.

CONNECTOR NOTES:

- ② HOUSING MATERIAL: UL 94 V-0 GLASS FILLED HIGH-TEMP THERMOPLASTIC WHICH CAN WITHSTAND EXPOSURE TO 260°C PEAK TEMPERATURE FOR 10 SECONDS IN A CONVECTION INFRA-RAD OR VAPOR PHASE REFLOW OVEN.  
POWER CONTACT MATERIAL: COPPER ALLOY  
SIGNAL PIN MATERIAL: COPPER ALLOY
- 3. SEE ITEM 3 & 4 IN PRINT 10064183 FOR PLATING SPEC OF 51952-261 AND 51952-261LF RESPECTIVELY EXCEPT SOLDERING INFORMATION, SOLDERING INFORMATION REFER TO ABOVE NOTE 2.
- ④ MANUFACTURER'S NAME, DATE CODE AND OPTIONAL P/N TO APPEAR ON THIS SURFACE. THE MARK CAN BE OMITTED IF THERE IS NOT ENOUGH SPACE ON THIS SURFACE.
- 5. PRODUCT SPECIFICATION GS-12-149.  
APPLICATION SPECIFICATION BUS-20-067 EXCEPT SOLDERING INFORMATION, SOLDERING INFORMATION REFER TO ABOVE NOTE 2.
- 6. PACKAGED IN TRAYS.

PCB NOTES:

- 7. ALL HOLE DIAMETERS ARE FINISHED HOLE SIZE.
- 8. MOUNTING HOLES, WHERE APPLICABLE, ARE UNPLATED.

- ⑨  $\varnothing 1.151 \pm 0.025$  DRILLED HOLES PLATED WITH 0.008 MIN SnPb OR Sn OVER .001 [0.03] TO 0.08 Cu PLATING TO ACHIEVE  $\varnothing 1.02 \pm 0.07$  HOLE.

- ⑩ CONNECTOR KEEP-OUT ZONE.

dr	Ruan MT	2013/09/04	projection 	MM 	size	A4	scale	1:1	
eng	Ruan MT	2014/07/03			ecn no	-			
chr	-	-			product family	PwrBlade	rel level	Released	
appr	Pei-Ming Zheng	2014/07/03			title	4ACP+40S		rev	A
www.fci.com			cat. no.	&model_name	Product - Customer Drw	sheet 4 of 4			
			title	VERTICAL PRESS FIT HEADER		dwg no	51952-261		



Copyright FCI.