

SAW Filter 1575.42MHz for GPS
Part No: MA05255

Model: TA0285A
Rev No: 4

A. MAXIMUM RATING:

1. Input Power Level: 10dBm
2. DC voltage: 5V
3. Operating Temperature: -40°C to +85°C
4. Storage Temperature: -40°C to +85°C

B. ELECTRICAL CHARACTERISTICS:

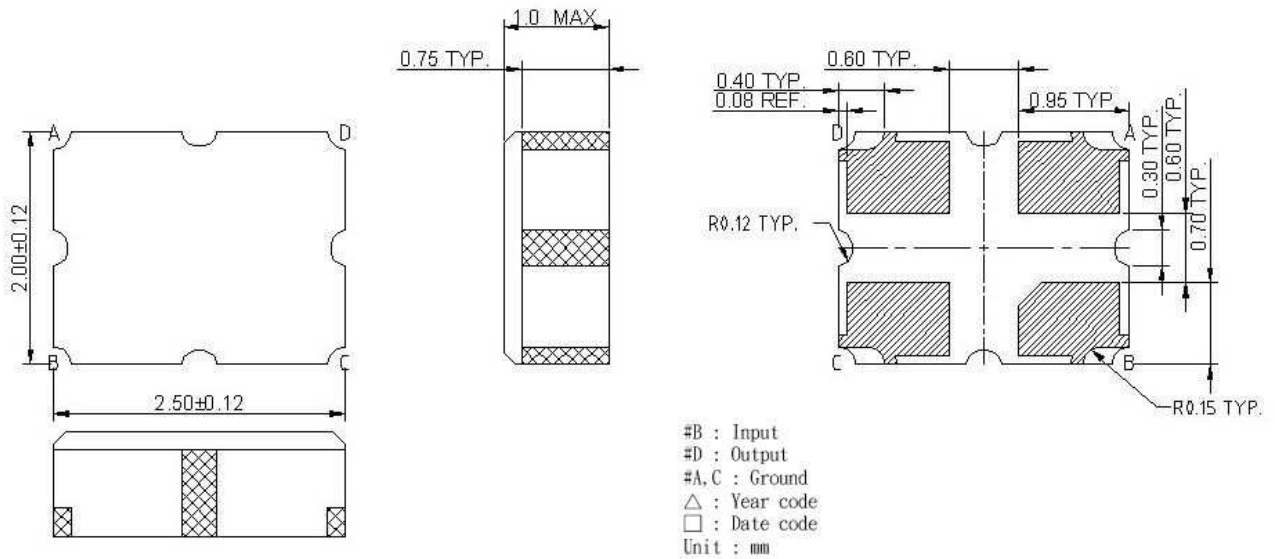
Item	Min.	Typ.	Max.
Center frequency Fc (dB)	-	1575.42	-
Insertion loss (1574.22 ~ 1576.62MHz) IL (dB)	-	1.5	2.2
Amplitude ripple (1574.22 ~ 1576.62MHz) (dB)	-	0.1	1.0
Attenuation (Reference level from 0dB)			
DC ~ 1400MHz (dB)	35.0	37.0	-
1400 ~ 1475MHz (dB)	30.0	34.0	-
1475 ~ 1525MHz (dB)	25.0	37.0	-
1625 ~ 1640MHz (dB)	30.0	45.0	-
1640 ~ 2000MHz (dB)	32.0	34.0	-
2000 ~ 3000MHz (dB)	20.0	28.0	-
VSWR (1574.22 ~ 1576.62MHz)	-	1.2	2.0
Source impedance Zs (Ω)	-	50	-
Load impedance Z _L (Ω)	-	50	-

Note: The standard definitions is in JIS C 6703

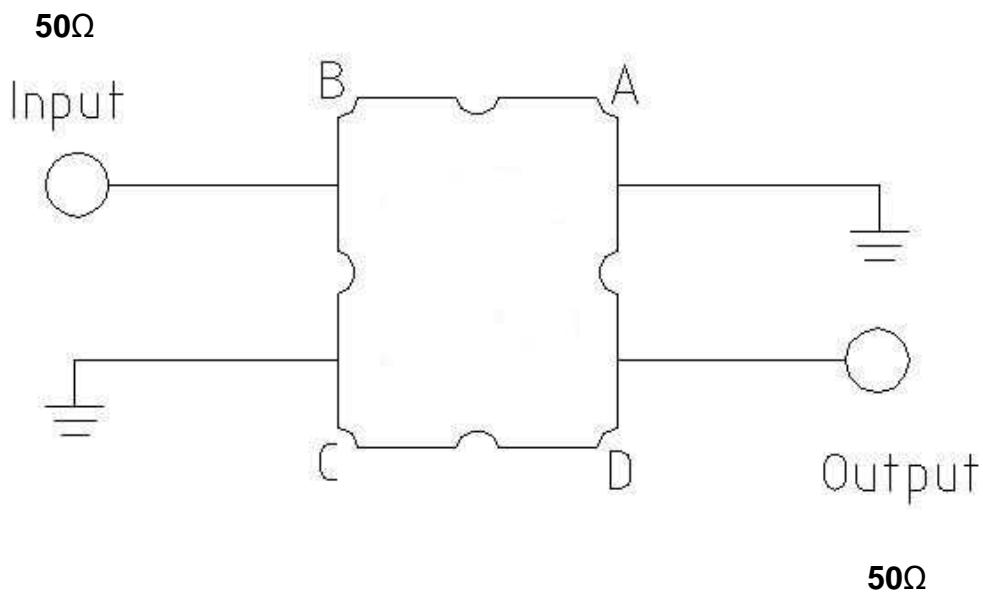
SAW Filter 1575.42MHz for GPS
Part No: MA05255

Model: TA0285A
Rev No: 4

C. OUTLINE DRAWING:



D. MEASUREMENT CIRCUIT:

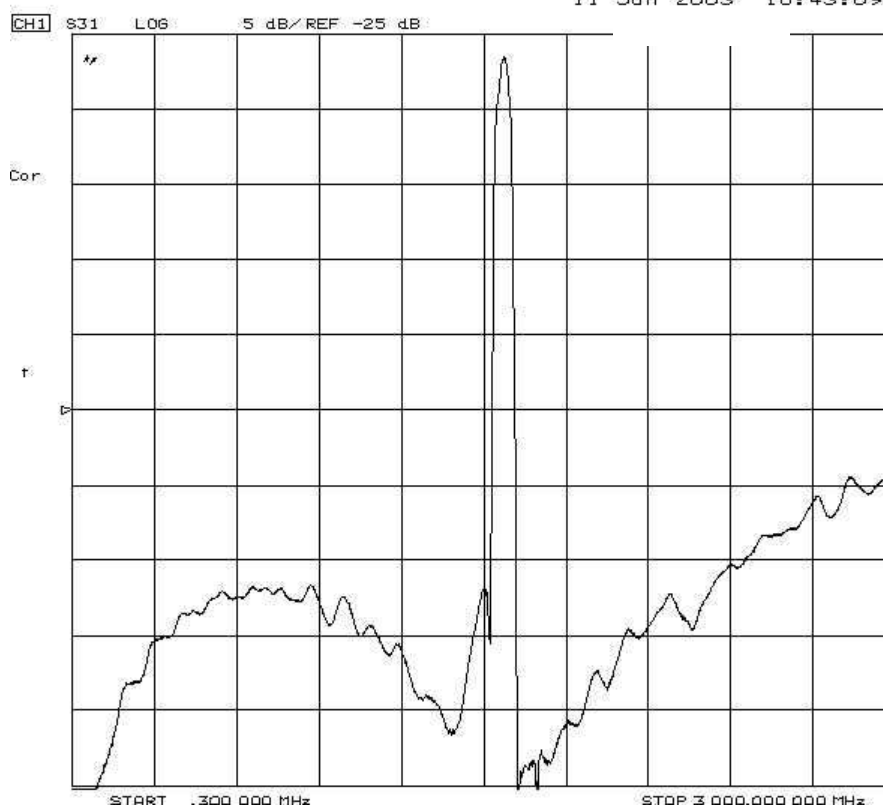
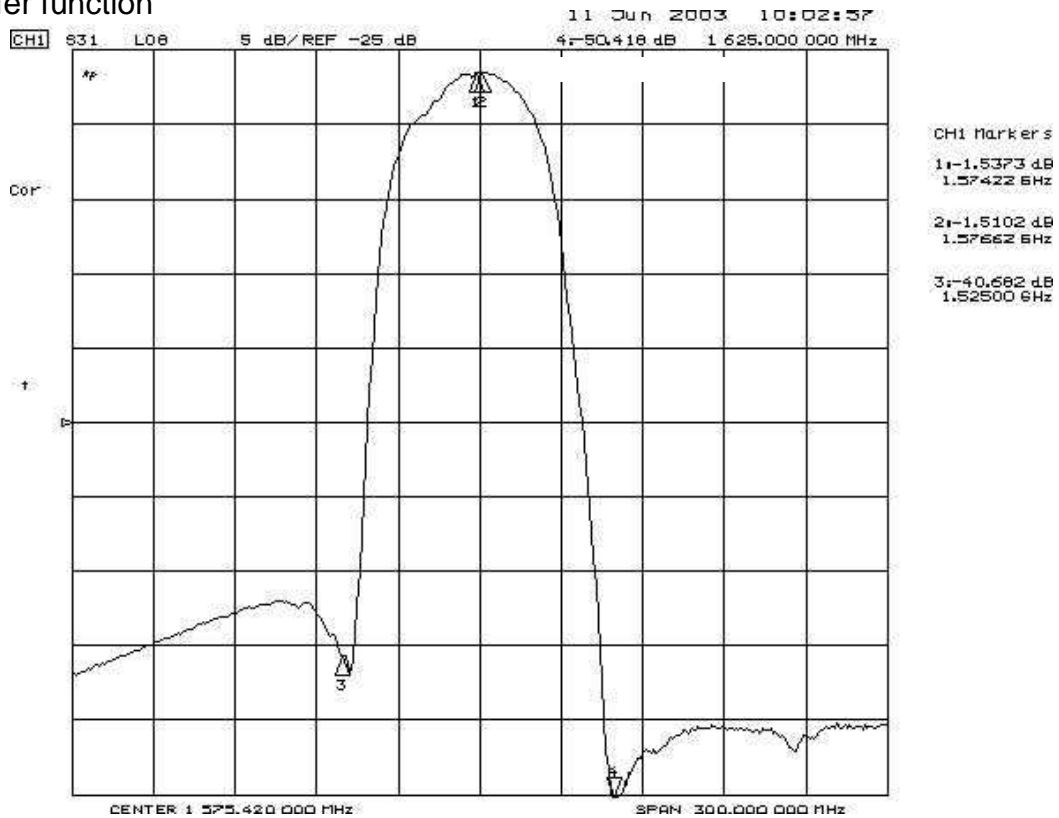


SAW Filter 1575.42MHz for GPS
Part No: MA05255

Model: TA0285A
Rev No: 4

E. FREQUENCY CHARACTERISTICS:

Transfer function

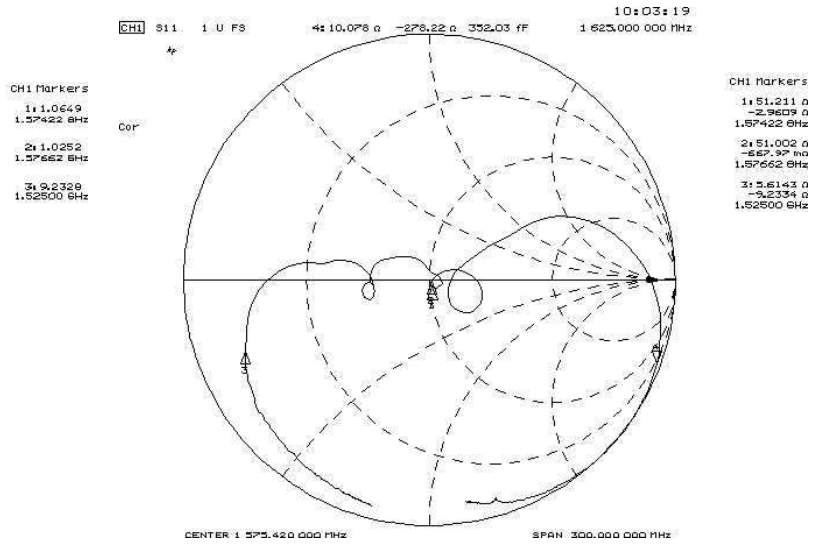
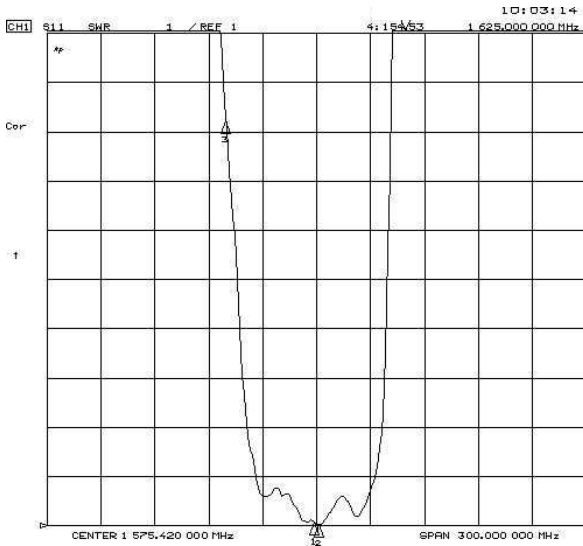


SAW Filter 1575.42MHz for GPS
Part No: MA05255

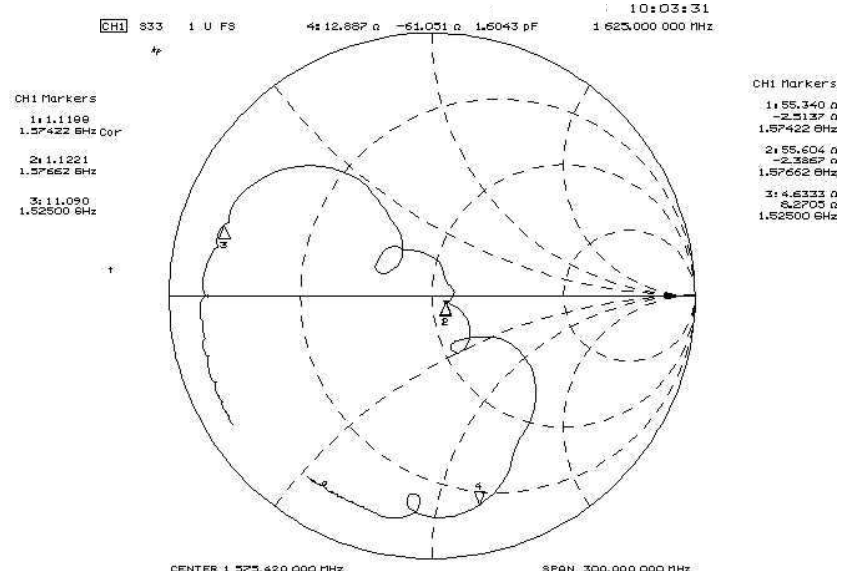
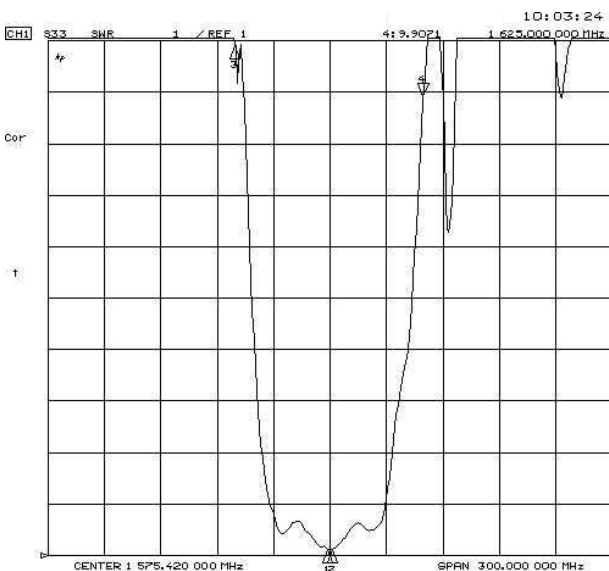
Model: TA0285A
Rev No: 4

Reflection Functions

S11 VSWR



S22 VSWR

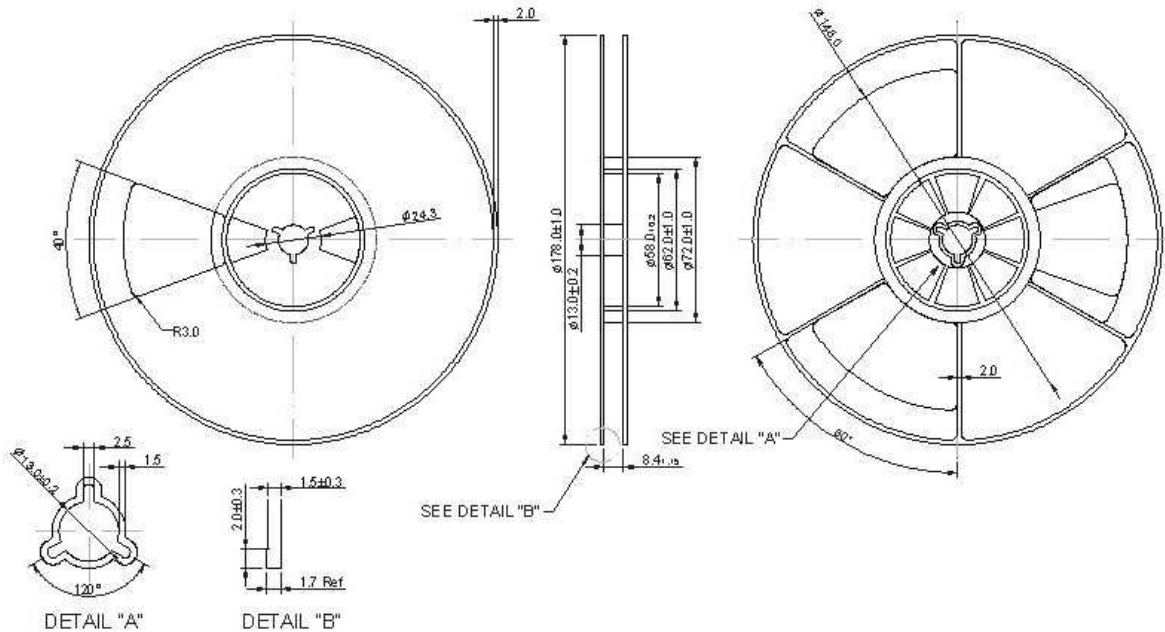


SAW Filter 1575.42MHz for GPS
Part No: MA05255

Model: TA0285A
Rev No: 4

F. PACKING:

1. REEL DIMENSION



2. TAPE DIMENSION

