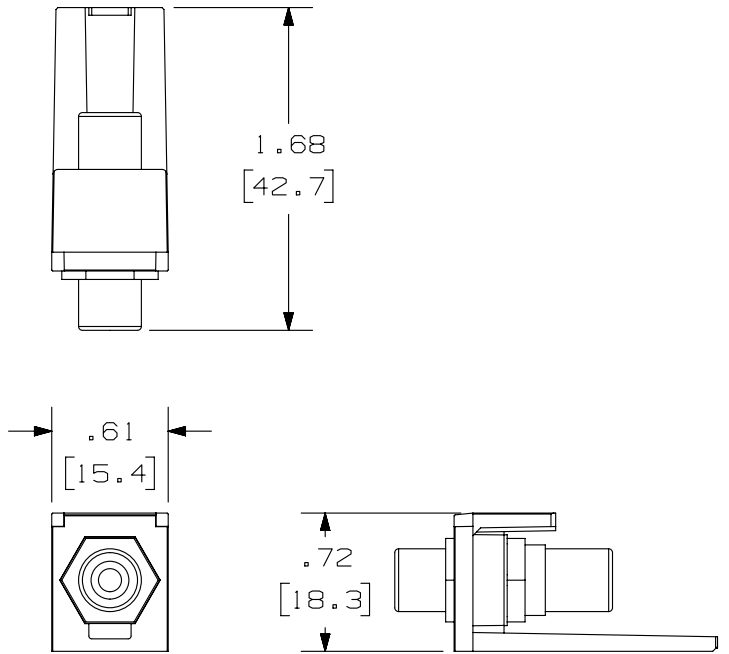
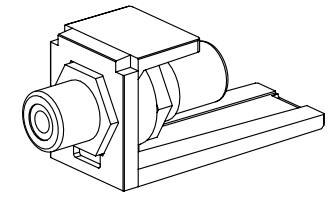


THIS COPY IS PROVIDED ON A RESTRICTED BASIS AND IS NOT TO BE USED IN ANY WAY DETRIMENTAL TO THE INTERESTS OF PANDUIT CORP.

PANDUIT P/N	WEIGHT
CMRPR**	.27 LB/10 PCS (122.5 g/10 PCS)
CMRPW**	
CMRPY**	
CMRPB**	
CMRPG**	



- NOTES:
1. SEE CURRENT CATALOG FOR ADDITIONAL PART NUMBER SUFFIXES TO INDICATE COLOR AND OR PACKAGE QUANTITY.
 2. SEE CATALOG FOR COMPLETE LIST OF PARTS APPLICABLE FOR USE WITH THIS PART.
 3. DIMENSIONS IN PARENTHESES ARE IN METRIC.
 4. "***" INDICATES COLOR SUFFIX.



PART NUMBER		CMRPX**	
TITLE			
MINI-COM RCA COUPLER MODULE			
CUSTOMER DRAWING			
ITEM REVISION NAME		M00829AA/01	
DATASET FILE NAME		M00829AA_DC/01B	
UNLESS OTHERWISE SPECIFIED, DIMENSIONAL TOLERANCES ARE: IN (mm)		MATERIAL:	
.x ± .xxx ± .010 (.3)		MODULE BASE: ABS	
.xx ± .03 (.8) ANGLES ±		DRAWING NUMBER:	
THIRD ANGLE PROJECTION		00829-03	
DRAWN BY	DATE	CHK	SCALE
JSP	3-30-00	SEZ	NONE
REV	DATE	BY	CHK
3	5/6/14	JSP	REFR
APR	DESCRIPTION		ECN
MMR	REVISED AND REDRAWN, PREVIOUS REVISIONS HAVE BEEN OMITTED.		00829-03
SHT 1 OF 1		SIZE A	

D10100DA/14