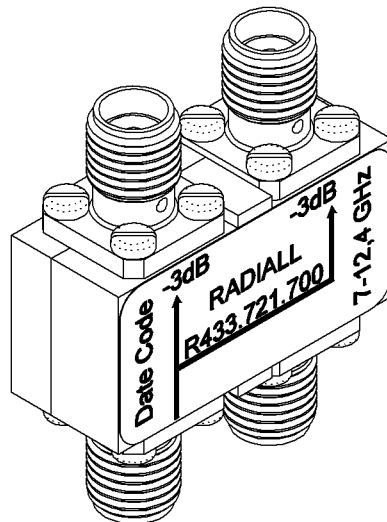
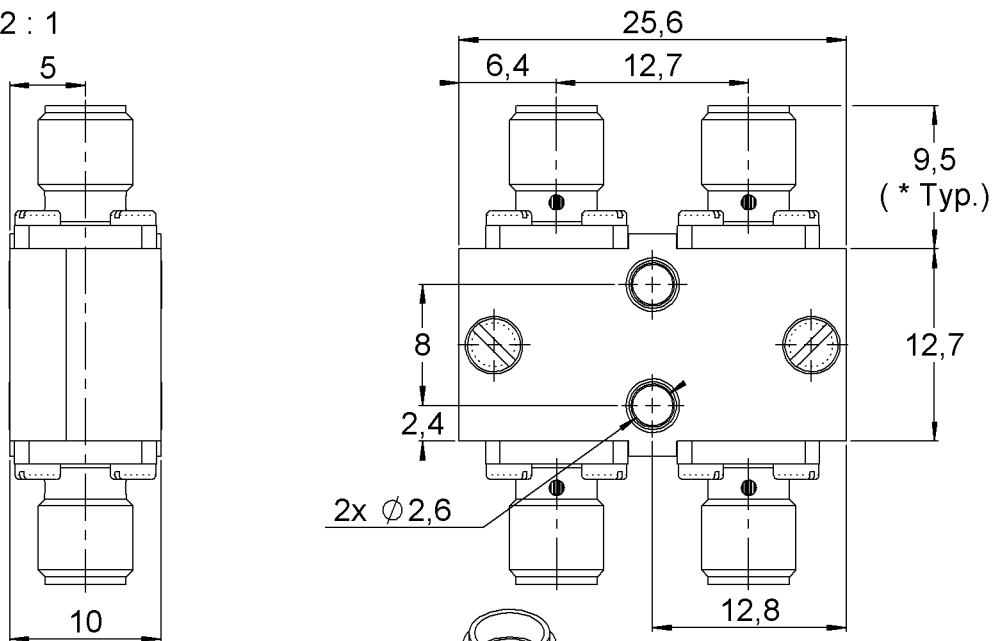
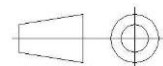


PAGE 1/2	ISSUE 09-12-19A	SERIES COUPLER	PART NUMBER R433721700
----------	-----------------	--------------------------	-------------------------------

Scale 2 : 1



All dimensions are in mm. Tolerances according ISO 2768 m-H



Weight **12,1700** g
Specification

ELECTRICAL CHARACTERISTICS

Frequency operating range :	7 – 12.4 GHz
Impedance :	50 Ω
VSWR :	1.35 max.
Nominal Coupling :	3 dB
Insertion Loss :	0.4 dB max.
Isolation :	18 dB mini
Amplitude Balance :	± 0.5 dB
Phase Balance :	90° ±6°
Average Power at 25°C	30W
Peak Power at 25°C	3000W

MECHANICAL CHARACTERISTICS

Connector type :	SMA female per MIL-C 39012
------------------	----------------------------

ENVIRONMENTAL CHARACTERISTICS

Operating temperature :	-40°C / +100°C
Storage temperature :	-40°C / +100°C