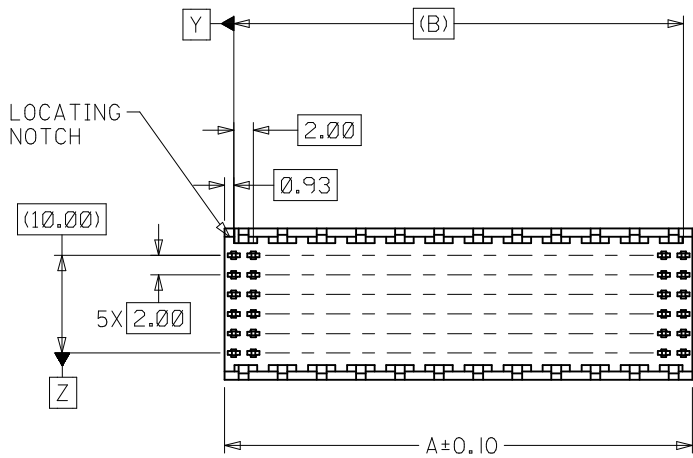
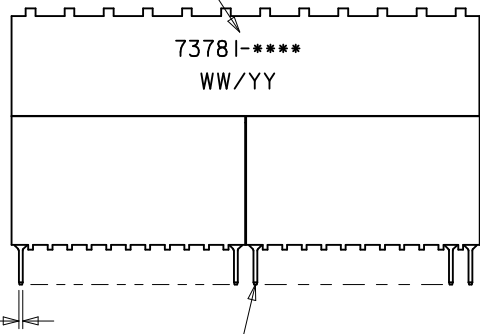


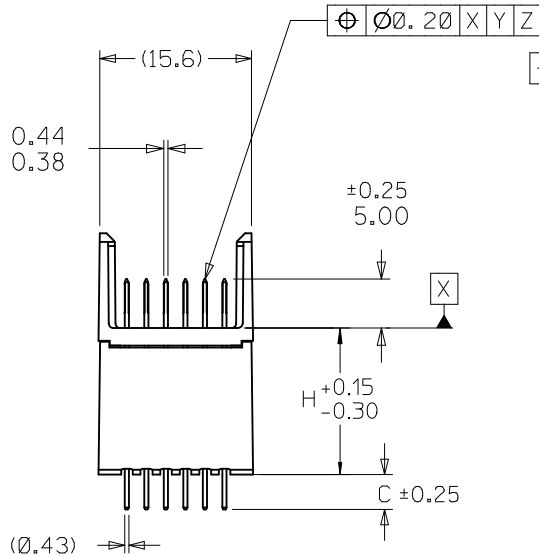
- NOTES:
1. MATERIALS: HOUSING-LIQUID CRYSTAL POLYMER (LCP), GLASS-FILLED, UL94V-0, COLOR: BLACK. TERMINAL-PHOSPHOR BRONZE
 2. FINISH:
0.75 MICROMETERS MINIMUM SELECTIVE GOLD (Au) IN MATING AREA
2.50 MICROMETERS MINIMUM SELECTIVE TIN (Sn) IN TAIL AREA
NICKEL (Ni) UNDERPLATE OVERALL.
 3. THIS PART CONFORMS TO MOLEX PRODUCT SPECIFICATION PS-73780-999.
 4. THIS PART CONFORMS TO MOLEX COSMETIC SPECIFICATION PS-45499-002 CLASS C.
 5. PACKAGE PER PK-70873-0870, PK-70873-0871 OR PK-70873-0875.
 6. PARTS MARKED WITH PART NUMBER AND DATE CODE APPROXIMATELY WHERE SHOWN.



SEE NOTE 6



⊕ ∅0.15 (M) X Y Z

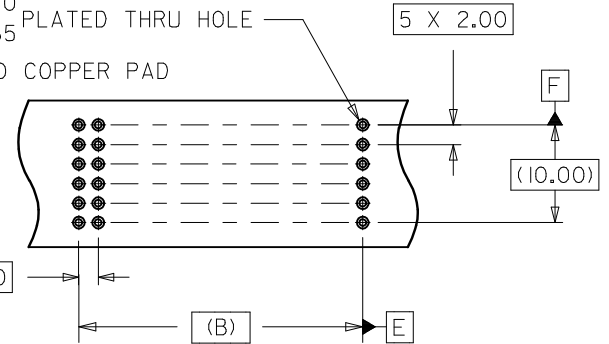


⊕ ∅0.15 (M) E F

∅ 0.838 DRILL

∅ 0.80 PLATED THRU HOLE

∅ 1.20 COPPER PAD



BACKPLANE HOLE PATTERN

REVISE H DIM TOL EC NO: UCP2008-3186 DRAWN: SPANNELLY 2008/07/29 CHKD: MSIBARRA 2008/09/11 APPR: SMILLER 2008/09/16	QUALITY SYMBOLS	GENERAL TOLERANCES (UNLESS SPECIFIED)	DIMENSION STYLE	SCALE	DESIGN UNITS	THIRD ANGLE PROJECTION	
	▼=0 ▽=0	mm INCH 4 PLACES ± --- ± --- 3 PLACES ± --- ± --- 2 PLACES ± 0.05 ± --- 1 PLACE ± 0.10 ± --- ANGULAR ± 1/2°	MM ONLY	2:1	METRIC	⊕ ▽ THIRD ANGLE PROJECTION	
	DRAWN BY CHECKED BY APPROVED BY	DATE DATE DATE	DRAWN BY CHECKED BY APPROVED BY	DATE DATE DATE	TITLE HDM BACKPLANE STACKING MODULE, OPEN END SOLDER SALES ASSEMBLY		
	MATERIAL NO. SIZE B	DRAFT WHERE APPLICABLE MUST REMAIN WITHIN DIMENSIONS	SEE TABLE	MOLEX INCORPORATED	DOCUMENT NO. SD-73781-001	SHEET NO. 1 OF 2	THIS DRAWING CONTAINS INFORMATION THAT IS PROPRIETARY TO MOLEX INCORPORATED AND SHOULD NOT BE USED WITHOUT WRITTEN PERMISSION

MATERIAL NUMBER ASSIGNMENT

73781-* * 0 0

NUMBER	CIRCUIT SIZE	DIM "A"	DIM "B"	DIM "C"
0	72	23.84	22.00	2.0
1	144	47.84	46.00	2.0
2	72	23.84	22.00	2.5
3	144	47.84	46.00	2.5
4	72	23.84	22.00	3.0
5	144	47.84	46.00	3.0
6	72	23.84	22.00	3.5
7	144	47.84	46.00	3.5

NUMBER	DIM "H"
1	15.05
2	6.05
3	10.05

REVISE H DIM TOL EC NO: UCP2008-3186 DRWN: SPANNELLY 2008/07/29 CHKD: MSIBARRA 2008/09/11 APPR: SMILLER 2008/09/16	QUALITY SYMBOLS	GENERAL TOLERANCES (UNLESS SPECIFIED)		DIMENSION STYLE MM ONLY		SCALE 1:1	DESIGN UNITS METRIC	THIRD ANGLE PROJECTION	
	▽=0	mm	INCH	DRAWN BY	DATE	TITLE HDM BACKPLANE STACKING MODULE, OPEN END SOLDER SALES ASSEMBLY			
	▽=0	4 PLACES ± --- ± ---	3 PLACES ± --- ± ---	JB INGHAM	1997/04/25				
		2 PLACES ± 0.05 ± ---	1 PLACE ± 0.10 ± ---	CHECKED BY	DATE	MOLEX INCORPORATED			
	ANGULAR ± 1/2°		SREED	1997/04/25					
		DRAFT WHERE APPLICABLE MUST REMAIN WITHIN DIMENSIONS		APPROVED BY	DATE	DOCUMENT NO.		SHEET NO.	
				CBIXLER	1997/04/25	SD-73781-001		2 OF 2	
				MATERIAL NO. SEE TABLE		THIS DRAWING CONTAINS INFORMATION THAT IS PROPRIETARY TO MOLEX INCORPORATED AND SHOULD NOT BE USED WITHOUT WRITTEN PERMISSION			

MATERIAL NUMBER ASSIGNMENT

73781-* * 0 0

NUMBER	CIRCUIT SIZE	DIM "A"	DIM "B"	DIM "C"
0	72	23.84	22.00	2.0
1	144	47.84	46.00	2.0
2	72	23.84	22.00	2.5
3	144	47.84	46.00	2.5
4	72	23.84	22.00	3.0
5	144	47.84	46.00	3.0
6	72	23.84	22.00	3.5
7	144	47.84	46.00	3.5

NUMBER	DIM "H"
1	15.05
2	6.05
3	10.05

SEE SHEET 1 EC NO. LDT2000-1073 DRWN:JBINGHAM 00/05/08 CHK: SREED 00/05/08 APPR:CBIXLER 00/05/08	QUALITY SYMBOLS MAJOR = 0 CRITICAL = 0	DESCRIPTION REV	GENERAL TOLERANCES: (UNLESS SPECIFIED)	SCALE --:--	DESIGN UNITS <input checked="" type="checkbox"/> mm <input type="checkbox"/> INCH	DIMENSIONS: <input type="checkbox"/> mm INCH <input type="checkbox"/> INCH mm <input checked="" type="checkbox"/> mm ONLY	THIRD ANGLE PROJECTION	SHT REV	
	DRAWN BY & DATE JBINGHAM 97/04/25			CHECKED BY & DATE SREED 97/04/25			TITLE: SALES ASSEMBLY HDM BACKPLANE STACKING MODULE OPEN END OPTION SOLDETAIL		
	APPROVED BY & DATE CBIXLER 97/04/25			CAD FILENAME S73781X2.DGN			MATERIAL NO. SEE CHART		
	DRAFT WHERE APPLICABLE MUST REMAIN WITHIN DIMENSIONS			ANGLAR: ± °			DRAWING NO. SD-73781-001		
THIS DRAWING CONTAINS INFORMATION THAT IS PROPRIETARY TO MOLEX INCORPORATED AND SHOULD NOT BE USED WITHOUT WRITTEN PERMISSION.						SHEET NO. 2			