

To _____

No. A287-040403N-01

Date 3rd Apr. '04

Type No.
WRAB2-Z2

Data Sheet

WCDMA Rx SAW Filter	
Application	: Rx Filter for WCDMA
Center Frequency	: 2140MHz
Size	: 2.0x1.4mm, 5pin-layout
Impedance	: 50-100ohms unbalance-balance
Part No.	: EFCH2140TCA1

Issued S. Tsuzuki

Check K. Nishimura

CIRCUIT COMPONENTS BUSINESS UNIT

MATSUSHITA ELECTRONIC COMPONENTS CO.,LTD

KADOMA, OSAKA, JAPAN

WCDMA Rx SAW Filter

----- Unbalanced input and balanced output -----

Part No. :

Design No. : T2140D4

Parameter		Frequency	Your request			Our preliminary spec.			Unit
			Min.	Typ.	Max.	Min.	Typ.	Max.	
Passband			2110 ... 2170			2110 ... 2170			MHz
Insertion loss		2110 ... 2170MHz					1.8	2.5	dB
Ripple in passband		2110 ... 2170MHz					0.3	1.2	dB
Amplitude imbalance		2110 ... 2170MHz				-1.5	-0.8 +0.4	+1.5	dB
Phase imbalance		2110 ... 2170MHz				-10	-2 +2	+10	deg.
Attenuation	Att1	DC ... 1980MHz				35	40		dB
	Att2	1980 ... 2050MHz				20	27		dB
	Att3	2250 ... 6000MHz				20	26		dB
VSWR	Input	2110 ... 2170MHz					1.7	2.2	
	Output	2110 ... 2170MHz					1.5	2.0	
Input impedance (Single ended)						50			Ohm
Output impedance (Differential)						100 // 5.6 nH			Ohm
Maximum drive level								13	dBm
Operating temperature						-30		+80	deg. C
Storage temperature						-40		+85	deg. C

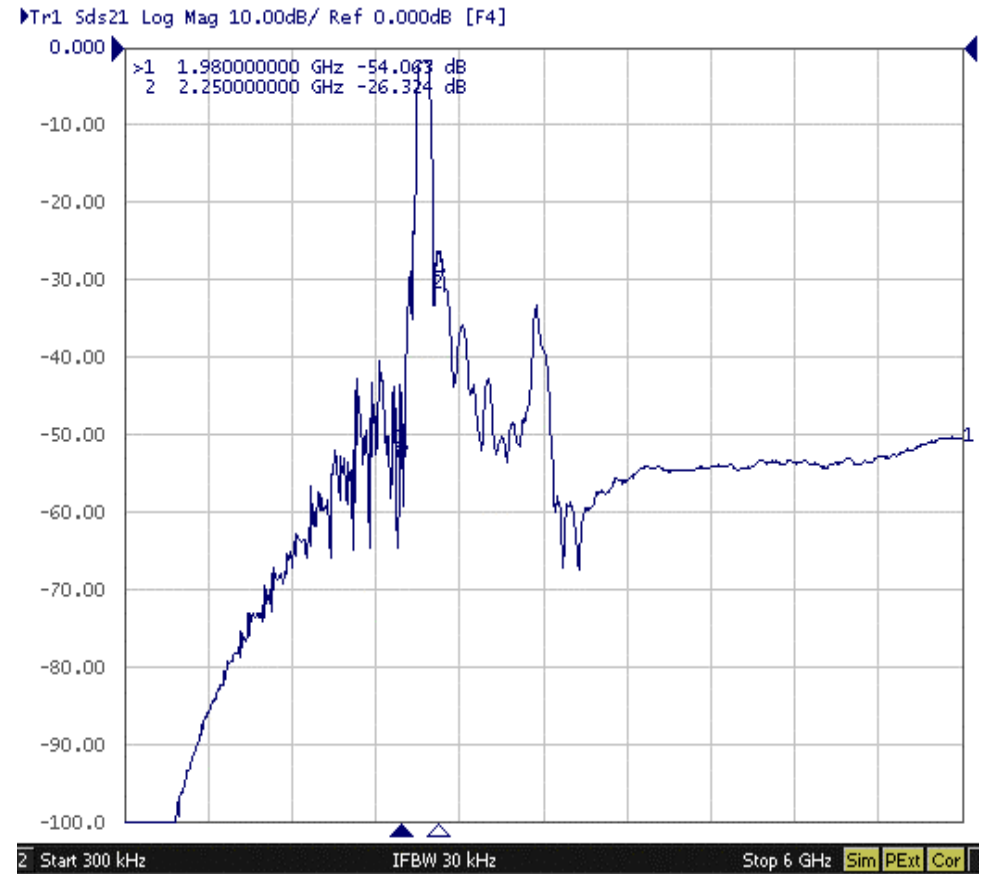
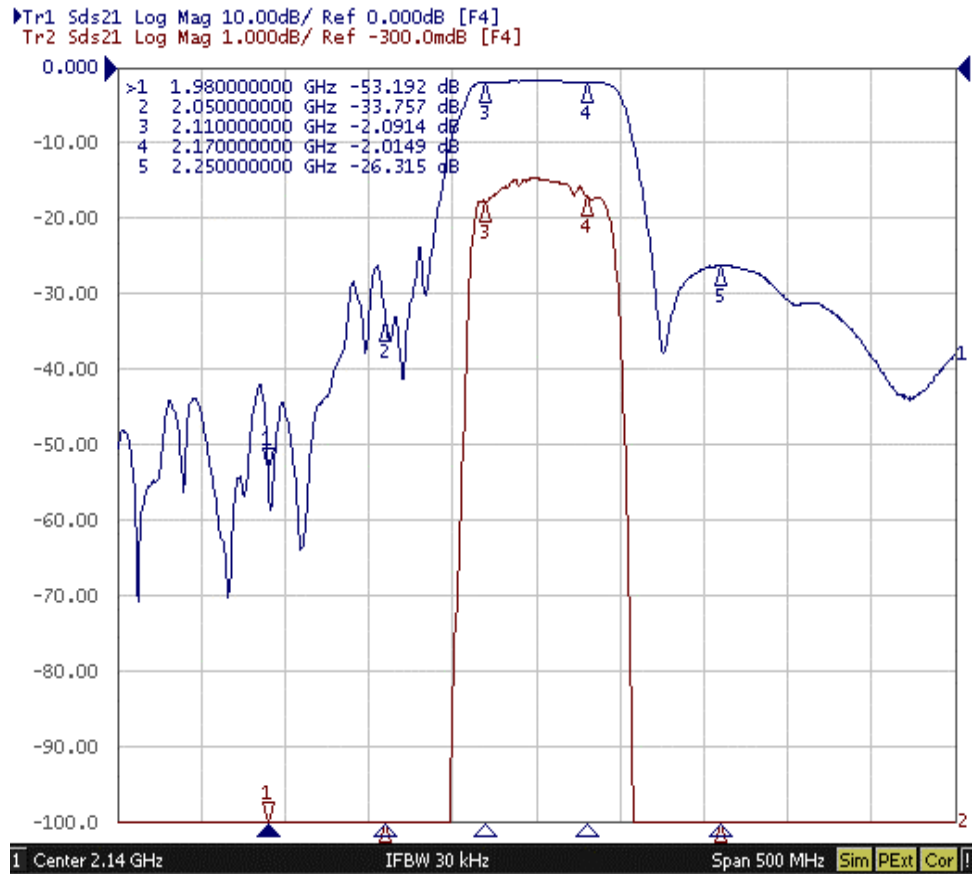
WCDMA Rx SAW Filter

----- Unbalanced input and balanced output -----

Part No. :

Design No. : T2140D4

Jig Loss = 0.3dB

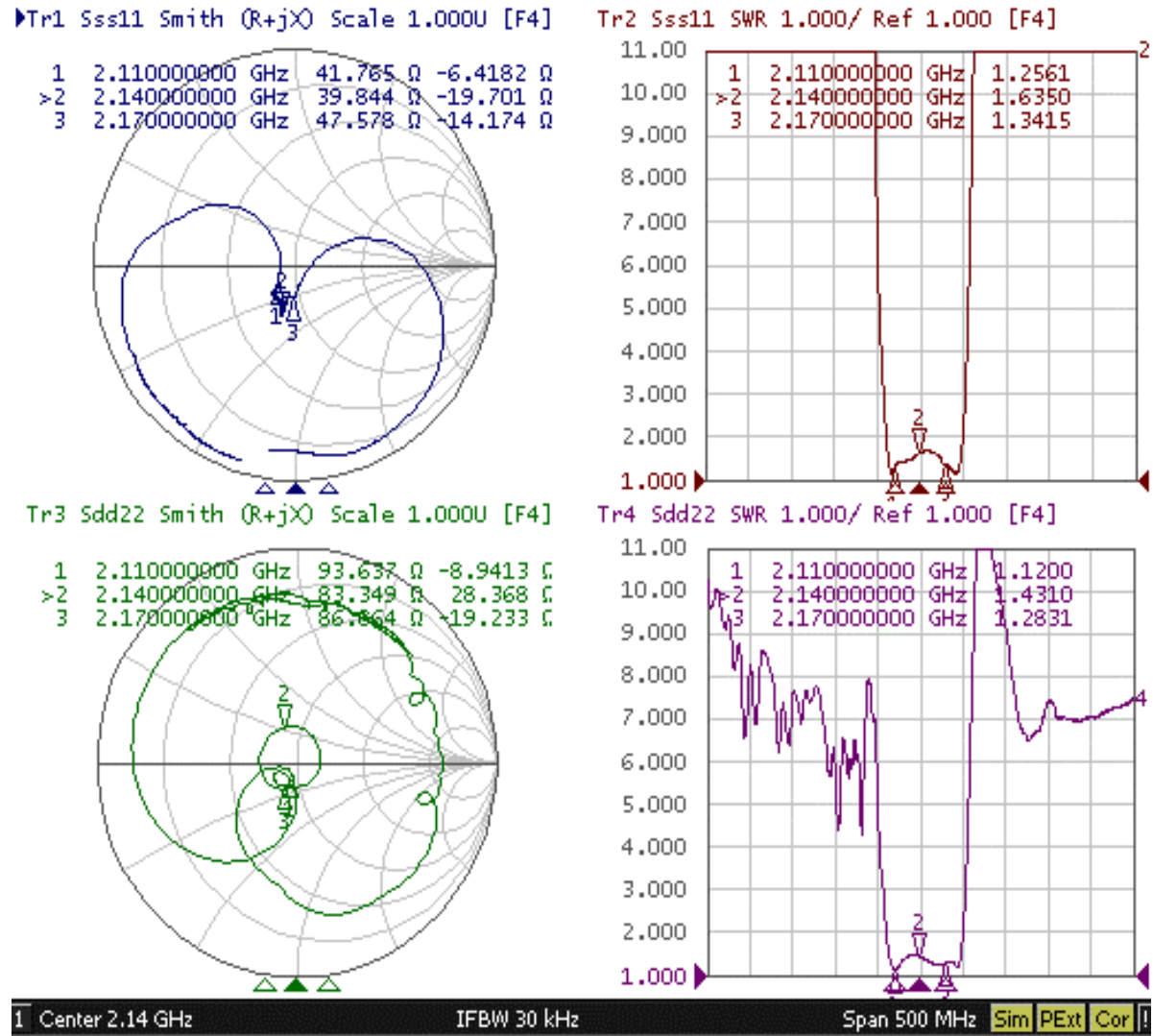


WCDMA Rx SAW Filter

----- Unbalanced input and balanced output -----

Part No. :

Design No. : T2140D4

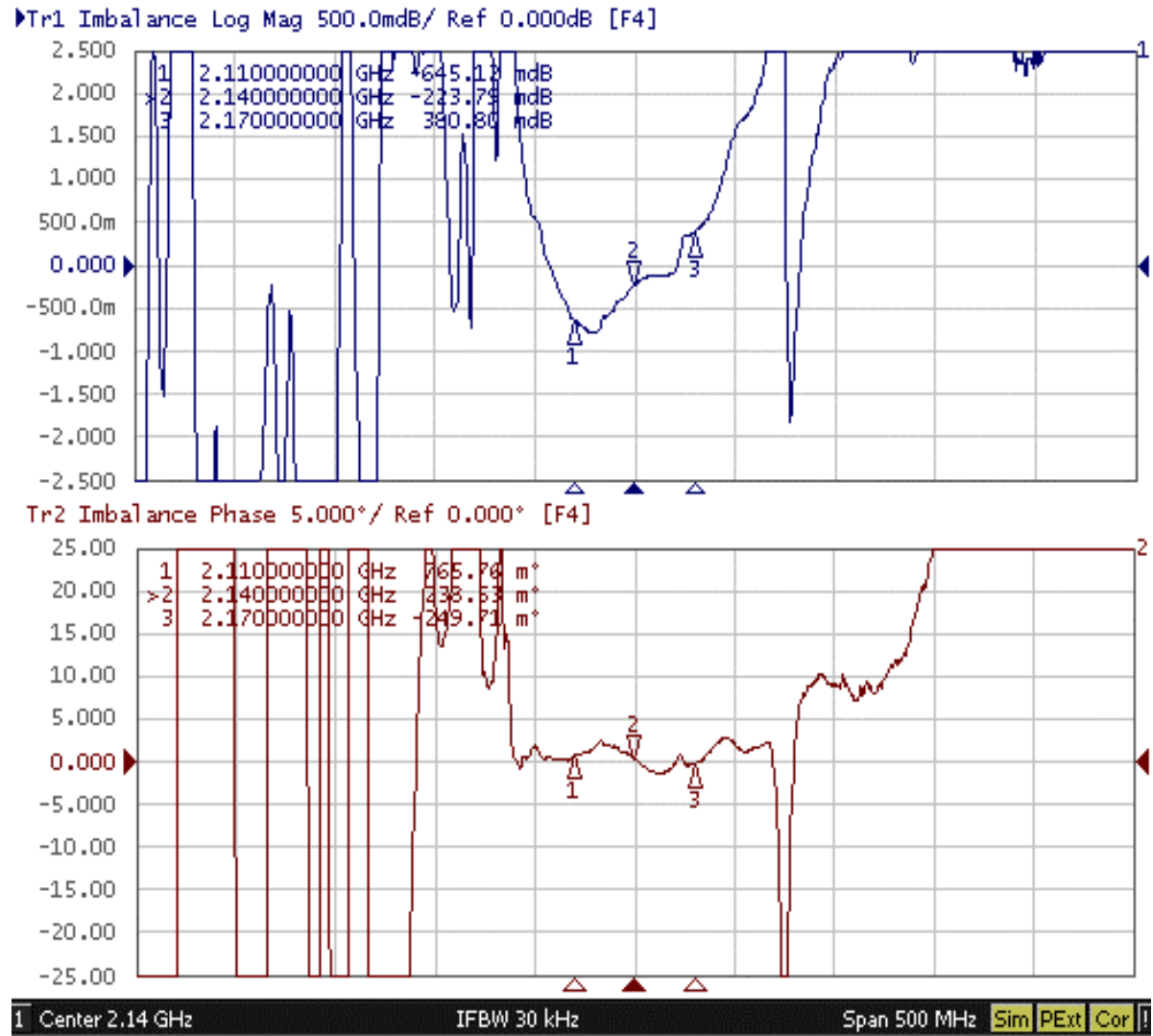


WCDMA Rx SAW Filter

----- Unbalanced input and balanced output -----

Part No. :

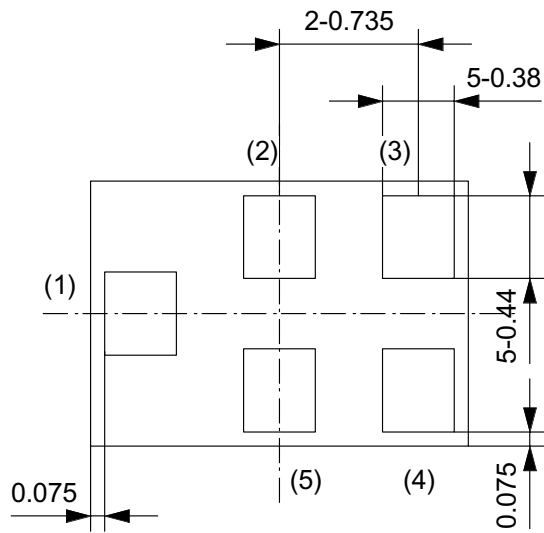
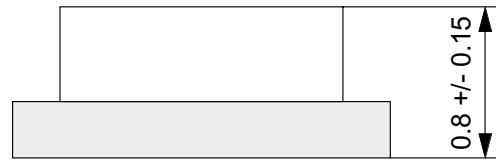
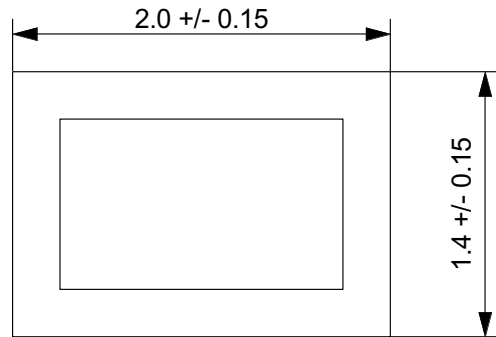
Design No. : T2140D4



THIRD ANGLE PROJECTION

Tolerance : +/-0.05

Under Development



- (1) Input
- (2) GND
- (3) Output
- (4) Output
- (5) GND

Note :
The design manufacturing process,
and Specification of this device
are subject to change without
notice.

UNLESS OTHERWISE SPECIFIED		
BASIC DIMENSIONS		TOLERANCE
UP TO	INCL	
TO	INCL	
TO	INCL	
TO	INCL	
ABOVE		

--	--	--

ISSUE	REVISIONS	DATE
MATERIAL	FINISH	SCALE
DESIGN		
DRAW		
CHECK		
APPROVAL		
DRAWING NO.		

NAME	TYPE NO.
SAW Filter	

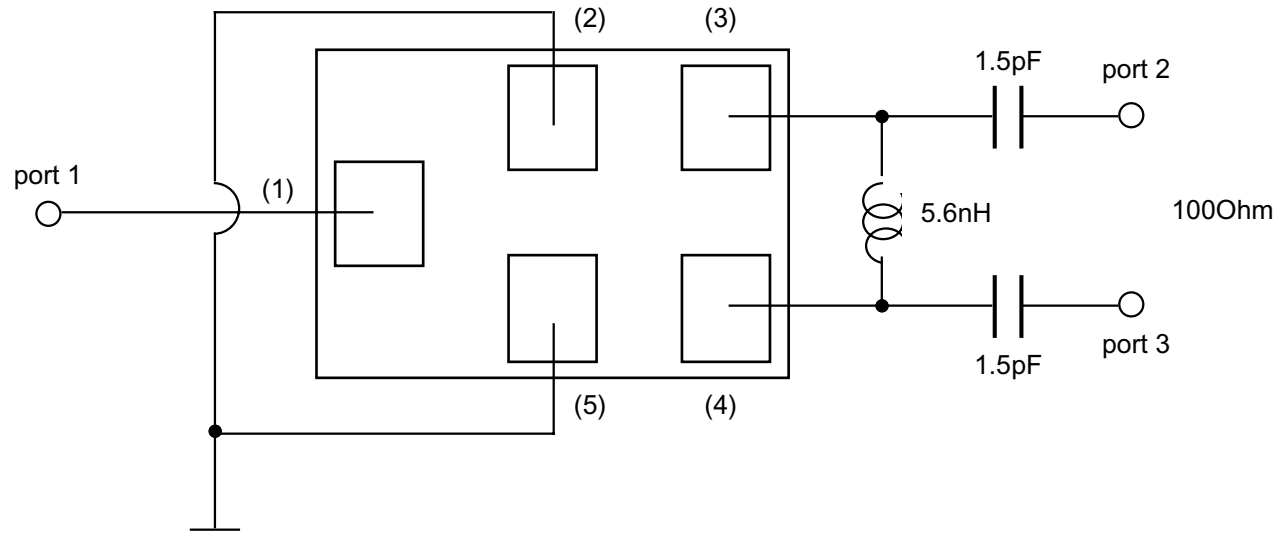
**CERAMIC BUSINESS UNIT, LCR DEVICE COMPANY
MATSUSHITA ELECTRONIC COMPONENTS CO.,LTD.
KADOMA, OSAKA, JAPAN**

DO NOT SCALE DRAWING

REVISIONS INDICATED BY Δ

ALL DIMENSIONS ARE IN MILLIMETERS

Measurement Circuit



Input impedance : 50 Ohm (Single ended)
 Output impedance : 100 Ohm (Differential)

UNLESS OTHERWISE SPECIFIED		
BASIC DIMENSIONS		TOLERANCE
UP TO	INCL	
TO	INCL	
TO	INCL	
TO	INCL	
ABOVE		

--	--	--

ISSUE	REVISIONS		DATE
MATERIAL	FINISH	SCALE	
DESIGN			
DRAW			
CHECK			
APPROVAL			
DRAWING NO.			

NAME	TYPE NO.
SAW Filter	

**CERAMIC BUSINESS UNIT, LCR DEVICE COMPANY
 MATSUSHITA ELECTRONIC COMPONENTS CO.,LTD.
 KADOMA, OSAKA, JAPAN**

Fig. 2

