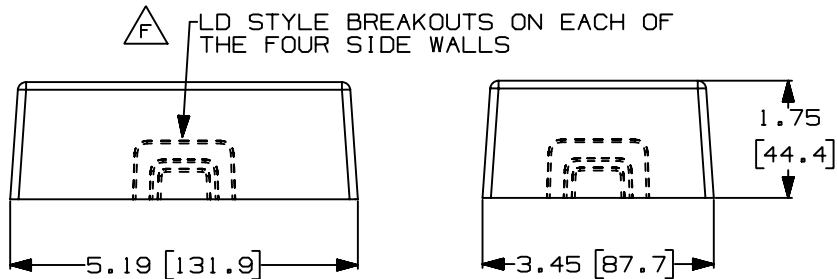
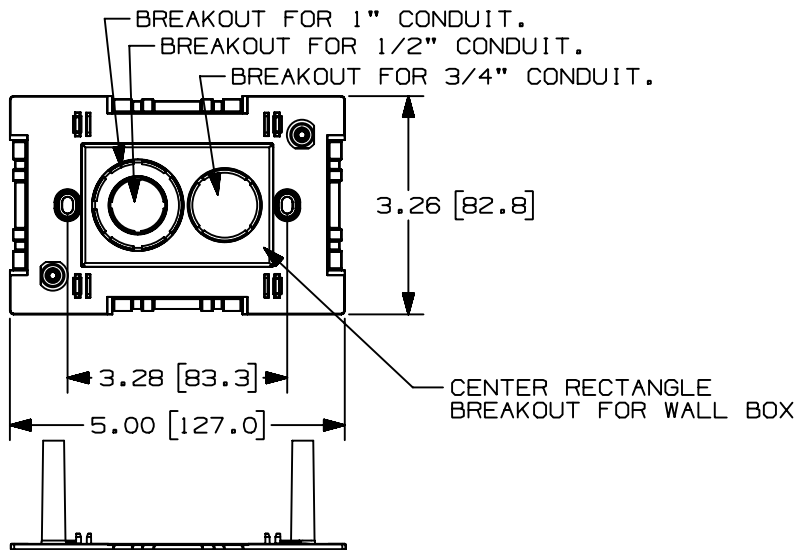


THIS COPY IS PROVIDED ON A RESTRICTED BASIS AND IS NOT TO BE USED IN ANY WAY DETRIMENTAL TO THE INTERESTS OF PANDUIT CORP.

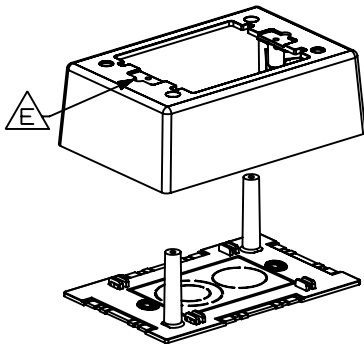


PANDUIT PART NO.	WEIGHT
JBP1 $\triangle A$	12.3 LB/10 PCS (1025 g/10 PCS)



**NOTES:**

1. SEE CURRENT CATALOG FOR ADDITIONAL PART NUMBER SUFFIXES TO INDICATE COLOR AND/OR PACKAGE QUANTITY.
2. THIS PRODUCT IS INTENDED TO BE USED WITH PANDUIT TYPE LDS, LDP, LD, CD AND PD RACEWAYS.
3. DIMENSIONS IN PARENTHESIS ARE IN METRIC.
4. THIS BOX CAN BE USED WITH AN OPTIONAL DIVIDER, PART NO. JBD1.



CAD FILENAME/LAYERS D35541CP\_JB1P\_C\_03.PRT (1)

**PANDUIT** CORP. TINLEY PARK, ILLINOIS  
**POWER JUNCTION BOX - SHALLOW**  
 (JBP1)  
 CUSTOMER DRAWING

REV	DATE	BY	CHK	DESCRIPTION	ECN	CHK	CUST	SUP
3	03-22-99	DW	HIW	E. ADDED GEOMETRY WHERE NOTED.; F. REV'D BREAKOUTS C. MAT'L WAS ABS/PC.; D. REV'D PART WEIGHT	35541-42	HIW	HIW	
2	05-22-98	DW	HIW	B. NOTE 4 PART NO. WAS JBP1	35541-42	HIW	HIW	
1	10-23-96	JBA	CEF	A. REV'D P/N: WAS JBIP	35541-42	CEF		
R	09-26-96	PM	CEF	RELEASED TO PRODUCTION	35541-42	CEF		

UNLESS OTHERWISE SPECIFIED, DIMENSIONAL TOLERANCES ARE: (.X) ± (.XXX) ±.010(.3) (.XX) ±.03(.8) ANGLES ±		UNLESS OTHERWISE SPECIFIED, ALL DIMENSIONS ARE GIVEN IN INCHES, THIRD ANGLE PROJECTION.	
DRAWN BY PM	MAT'L: PVC $\triangle C$	SCALE NONE	
DATE 09-26-96		DRAWING NO. 35541-42	DWG A
CHECKED BY CEF		SIZE	