

# 5V and 3.3V Supply Monitor, Watchdog Timer, Manual Reset, with Active High & Low Resets



## FEATURES

- **Selectable reset voltage tolerance**
  - CAT1232LP for 5V supply
  - CAT1832 for 3.3V supply
- **Selectable watchdog period:**  
150ms, 600ms or 1.2 sec
- **Two reset outputs**
  - Active high, push-pull reset output
  - Active low, open-drain reset output (CAT1232LP)
  - Active low, push-pull reset output (CAT1832)
- **Debounced manual push-button reset**
- **Compact SOIC and MSOP packages**

## APPLICATIONS

- **Microprocessor Systems**
- **Portable Equipment**
- **Controllers**
- **Single Board Computers**
- **Instrumentations**
- **Telecommunications**

## DESCRIPTION

The CAT1232LP and CAT1832 microprocessor supervisors can halt and restart a “hung-up” or “stalled” microprocessor, restart a microprocessor after a power failure, and debounce a manual/push-button microprocessor reset switch. The devices are drop in replacements for the Maxim/Dallas Semiconductor DS1232LP and DS1832 supervisors

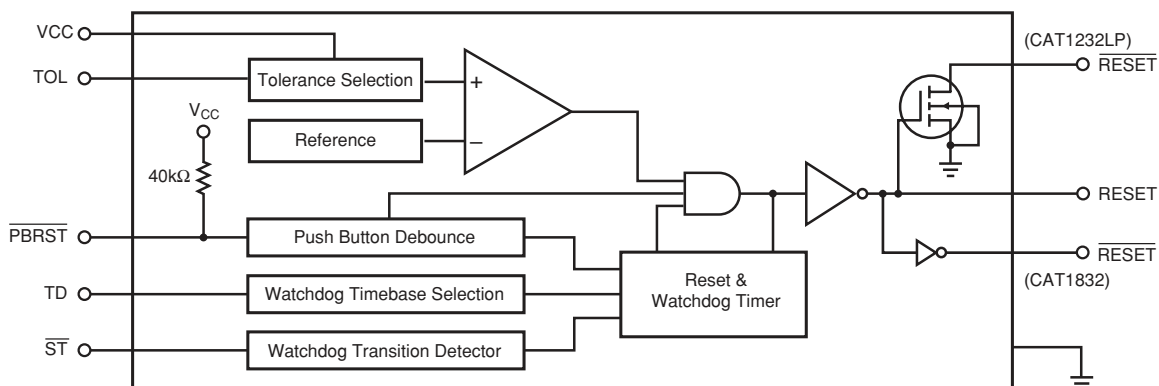
Precision reference and comparator circuits monitor the 5V or 3.3V system power supply voltage,  $V_{CC}$ . During power-up or when the power supply falls outside selectable tolerance limits, both the RESET and  $\overline{\text{RESET}}$  become active. After the power supply voltage rises above the RESET threshold voltage, the reset signals remain active for a minimum of 250ms, allowing the power supply and system processor to stabilize. The trip-point tolerance input, TOL, selects the trip level tolerance to be either 5% or 10% for the CAT1232LP 5V supply and 10% or 20% for the CAT1832 3.3V supply.

Each device has a push-pull, active HIGH reset output. The CAT1232LP also has an open drain, active LOW reset output while the CAT1832 also has a push-pull, active LOW reset output.

A debounced manual reset input activates the reset outputs and holds them active for a minimum period of 250ms after being released.

Also included is a watchdog timer to reset a microprocessor that has stopped due to a software or hardware failure. Three watchdog time-out periods are selectable: 150ms, 600ms and 1.2sec. If the  $\overline{\text{ST}}$  input is not strobed low before the watchdog time out period expires, the reset signals become active for a minimum of 250ms.

## FUNCTIONAL DIAGRAM

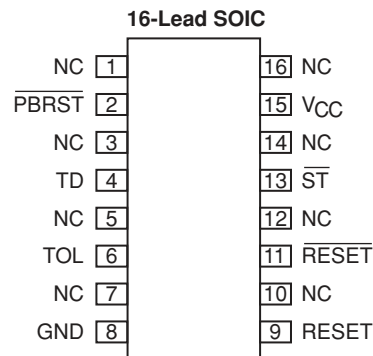
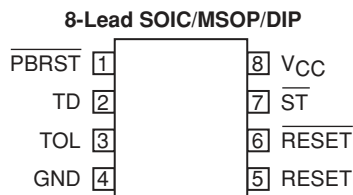


## ORDERING INFORMATION

Solder Plate Lead Finish	Green Sn Lead Finish	Green NiPdAu Lead Finish				
Ordering Part Number	Ordering Part Number	Ordering Part Number	Package	Parts per Tube	Parts Per Reel	Reel Size (inch)
CAT1232LPP	CAT1232LPL	CAT1232LPL-G	8-lead, DIP	50	—	—
CAT1232LPJ	CAT1232LPW	CAT1232LPW-G	16-lead, SOIC	47	—	—
CAT1232LPS	CAT1232LPV	CAT1232LPV-G	8-lead, SOIC	100	—	—
CAT1232LPR	CAT1232LPZ	CAT1232LPZ-G	MSOP	100	—	—
CAT1232LPJ-T13	CAT1232LPW-T13	CAT1232LPW-GT2	16-lead, SOIC	—	2,000	13
CAT1232LPS-T13	CAT1232LPV-T13	CAT1232LPV-GT2	8-lead, SOIC	—	2,000	13
CAT1232LPR-T13	CAT1232LPZ-T13	CAT1232LPZ-GT25	MSOP	—	2,500	13
CAT1832P	CAT1832L	CAT1832L-G	8-lead, DIP	50	—	—
CAT1832S	CAT1832V	CAT1832W-G	8-lead, SOIC	100	—	—
CAT1832R	CAT1832Z	CAT1832Z-G	MSOP	100	—	—
CAT1832S-T13	CAT1832V-T13	CAT1832W-GT2	8-lead, SOIC	—	2,000	13
CAT1832R-T13	CAT1832Z-T13	CAT1832Z-GT25	MSOP	—	2,500	13

The “-G” NiPdAu Lead Finish is only available on the Green package versions of this device.

## PIN CONFIGURATION



## PIN DESCRIPTION

Pin Number 8-Lead Package	Pin Number 16-Lead Package	Name	Function
1	2	PBRST	Debounced manual pushbutton reset input
2	4	TD	Watchdog typical time delay selection: a) $t_{TD} = 150\text{ms}$ for TD = GND b) $t_{TD} = 600\text{ms}$ for TD = Open c) $t_{TD} = 1200\text{ms}$ for TD = $V_{CC}$
3	6	TOL	CAT1232LP TOL selects 5% (TOL = GND) or 10% (TOL = $V_{CC}$ ) trip point tolerance. CAT1832 TOL selects 10% (TOL = GND) or 20% TOL = $V_{CC}$ ) trip point tolerance.
4	8	GND	Ground
5	9	RESET	Active HIGH reset output. RESET is active 1. If $V_{CC}$ falls below the reset voltage trip point 2. If PBRST is low 3. If ST is not strobed low before the timeout period set by TD expires. 4. During power-up.
6	11	RESET	Active LOW reset output. (See RESET)
7	13	ST	Strobe Input
8	15	$V_{CC}$	Power Supply
	1, 3, 5, 7, 10, 12, 14, 16	NC	No internal connection

## ABSOLUTE MAXIMUM RATINGS\*

Voltage on $V_{CC}$ .....	-0.5V to 7.0V	Maximum Junction Temperature .....	125°C
Voltage on $\overline{ST}$ and TD .....	-0.5V to $V_{CC} + 0.5V$	Storage Temperature Range .....	-65°C to +150°C
Voltage on $\overline{PBRST}$ , $\overline{RESET}$ and RESET .....	-0.5V to $V_{CC} + 0.5V$	Lead Soldering Temperature (10 sec) .....	300°C
		Operating Temperature Range .....	-40°C to +85°C

## ELECTRICAL CHARACTERISTICS

Unless otherwise stated,  $1.0V \leq V_{CC} \leq 5.5V$  and over the operating temperature range of -40°C to +85°C. All voltages are referenced to ground.

Symbol	Parameter	Conditions	Min	Typ	Max	Units
$V_{CC}$	Supply Voltage		1.0		5.5	V
$I_{CC1}$	Supply Current	$V_{CC} = 5.5V$ , CAT1232LP		35	50	$\mu A$
		$V_{CC} = 3.6V$ , CAT1832		20	35	
$V_{IH}$	$\overline{ST}$ and $\overline{PBRST}$ Input High Level	(5)	2		$V_{CC} + 0.3V$	V
		(6)	$V_{CC} - 0.4V$			
$V_{IL}$	$\overline{ST}$ and $\overline{PBRST}$ Input Low Level	$V_{CC} = 5.5V$ , CAT1232LP	- 0.3		0.8	V
		$V_{CC} = 3.6V$ , CAT1832			0.5	
$V_{CCTP}$	$V_{CC}$ Trip Point (TOL = GND)	CAT1232LP	4.50	4.62	4.74	V
$V_{CCTP}$	$V_{CC}$ Trip Point (TOL = $V_{CC}$ )	CAT1232LP	4.25	4.37	4.49	V
$V_{CCTP}$	$V_{CC}$ Trip Point (TOL = GND)	CAT1832	2.80	2.88	2.97	V
$V_{CCTP}$	$V_{CC}$ Trip Point (TOL = $V_{CC}$ )	CAT1832	2.47	2.55	2.64	V
$t_{TD}$	Watchdog Time-Out Period	TD = GND	62.5	150	250	ms
$t_{TD}$	Watchdog Time-Out Period	TD = $V_{CC}$	500	1200	2000	ms
$t_{TD}$	Watchdog Time-Out Period	TD floating	250	600	1000	ms
$V_{OH}$	Output Voltage	$I = - 500\mu A^{(3)}$	$V_{CC} - 0.5V$	$V_{CC} - 0.1V$		V
$I_{OH}$	Output Current	Output = 2.4V <sup>(2)</sup>		- 350		$\mu A$
$I_{OL}$	Output Current	Output = 0.4V,	10			mA
$I_{IL}$	Input Leakage	(1)	- 1.0		1.0	$\mu A$
$R_{PU}$	Internal Pull-Up Resistor	(1)	32	40	55	k $\Omega$
$C_{IN}$	Input Capacitance				5	pF
$C_{OUT}$	Output Capacitance				7	pF
$t_{PB}$	$\overline{PBRST}$ Manual Reset Minimum Low Time	$\overline{PBRST} = V_{IL}$	20			ms
$t_{RST}$	Reset Active Time		250	600	1000	ms
$t_{ST}$	$\overline{ST}$ Pulse Width	(4)	20			ns
$t_{RPD}$	$V_{CC}$ Fail Detect to $\overline{RESET}$ or $\overline{RESET}$			5	8	$\mu s$
$t_F$	$V_{CC}$ Slew Rate		20			$\mu s$
$t_{PDLY}$	$\overline{PBRST}$ Stable LOW to $\overline{RESET}$ and $\overline{RESET}$ Active				20	ms
$t_{RPU}$	$V_{CC}$ Detect to $\overline{RESET}$ or $\overline{RESET}$ Inactive	$t_{RISE} = 5\mu s$	250	600	1000	ms
$t_R$	$V_{CC}$ Slew Rate	4.25V to 4.75V	0			ns

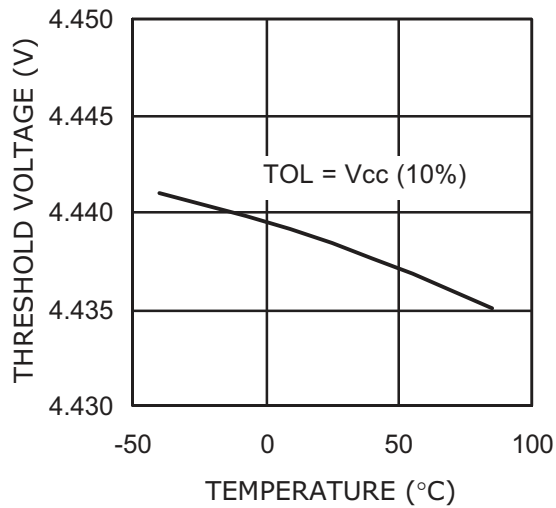
### Notes:

- |   |  |
|---|--|
| (1) $\overline{PBRST}$ is internally pulled HIGH to $V_{CC}$ through a nominal 40k $\Omega$ resistor ( $R_{PU}$ ).  | (4) Must not exceed the minimum watchdog time-out period ( $t_{TD}$ ). The watchdog circuit cannot be disabled. To avoid a reset, $\overline{ST}$ must be strobed. |
| (2) $\overline{RESET}$ is an open drain output on the CAT1232LP.  | (5) Measured with $V_{CC} \geq 2.7V$ .   |
| (3) $\overline{RESET}$ remains within 0.5V of $V_{CC}$ on power-down until $V_{CC}$ falls below 2V. $\overline{RESET}$ remains within 0.5V of ground on power-down until $V_{CC}$ falls below 2.0V. | (6) Measured with $V_{CC} < 2.7V$ .  |

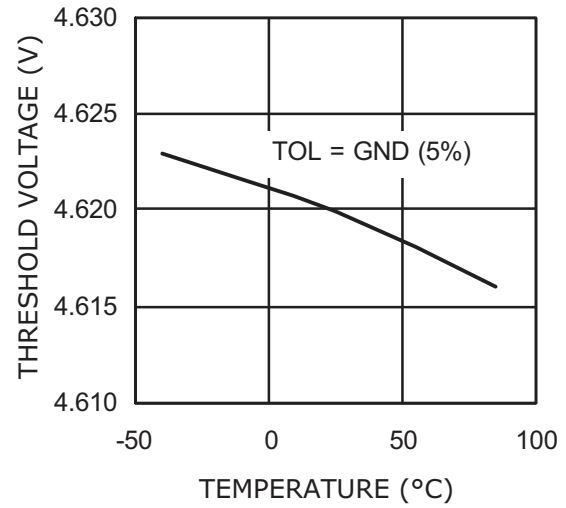
### TYPICAL CHARACTERISTICS

For the CAT1232LP,  $V_{CC} = 5V$  and  $T_{AMB} = 25^{\circ}C$  unless otherwise stated.

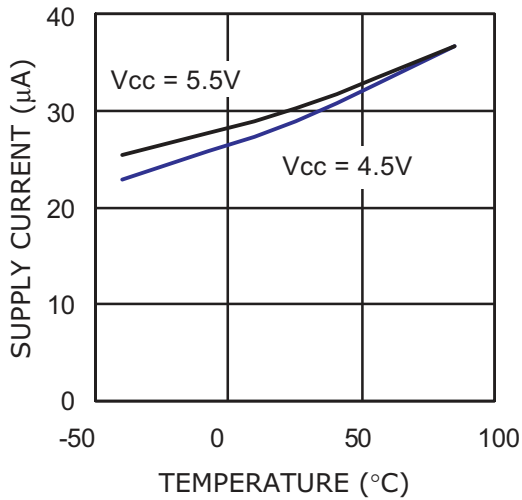
**Threshold Voltage vs. Temperature (10% TOL)**



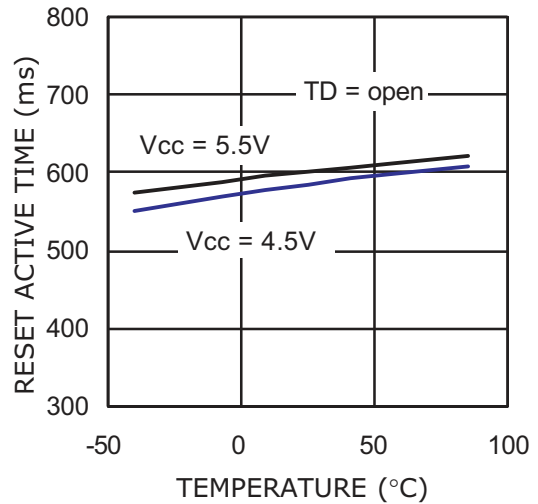
**Threshold Voltage vs. Temperature (5% TOL)**



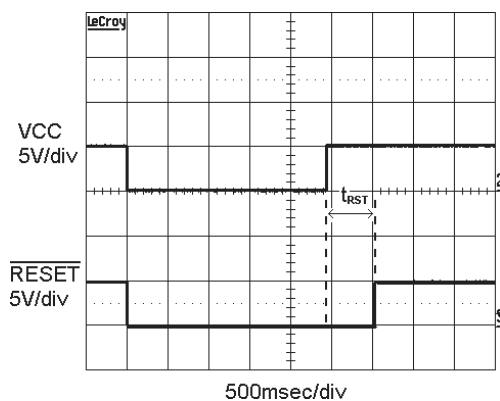
**Supply Current vs. Temperature**



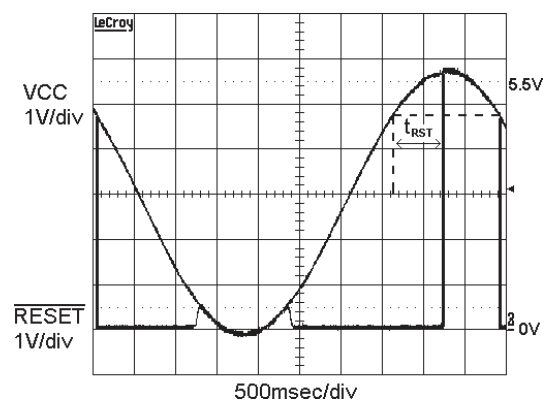
**Reset Active Time vs. Temperature**



**Reset Active Time Waveform**



**Transient Response**



## APPLICATION INFORMATION

### SUPPLY VOLTAGE MONITOR

#### Reset Signal Polarity and Output Stage Structure

$\overline{\text{RESET}}$  is an active LOW signal. It is developed with an open drain driver in the CAT1232LP. A pull-up resistor is required, typical values are 10k $\Omega$  to 50k $\Omega$ . The CAT1832 uses a CMOS push-pull output stage for the  $\overline{\text{RESET}}$ .

$\overline{\text{RESET}}$  is an active High signal developed by a CMOS push-pull output stage and is the logical opposite to  $\overline{\text{RESET}}$ .

#### Trip Point Tolerance Selection

The TOL input is used to select the  $V_{CC}$  trip point threshold. This selection is made connecting the TOL input to ground or  $V_{CC}$ . Connecting TOL to Ground makes the  $V_{CC}$  trip threshold 4.62V for the CAT1232LP and 2.88V for the CAT1832.

Connecting TOL to  $V_{CC}$  makes the  $V_{CC}$  trip threshold 4.37V for the CAT1232LP and 2.55V for the CAT1832.

After  $V_{CC}$  has risen above the trip point set by TOL,  $\overline{\text{RESET}}$  and  $\overline{\text{RESET}}$  remain active for a minimum time period of 250ms.

On power-down, once  $V_{CC}$  falls below the reset threshold the  $\overline{\text{RESET}}$  outputs will remain active and are guaranteed valid down to a  $V_{CC}$  level of 1.0V.

Tolerance Select Voltage	Trip Point Tolerance	Trip Point Voltage (V)		
		MIN	NOMINAL	MAX
CAT1232LP TOL = $V_{CC}$	10 %	4.25	4.37	4.49
CAT1232LP TOL = GND	5 %	4.50	4.62	4.74
CAT1832 TOL = $V_{CC}$	20 %	2.47	2.55	2.64
CAT1832 TOL = GND	10 %	2.80	2.88	2.97

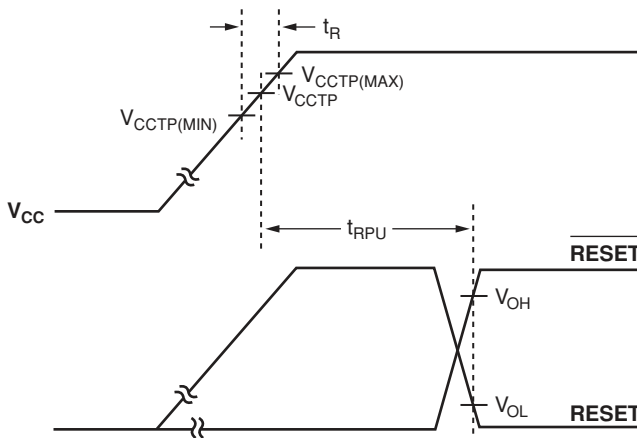


Figure 1. Timing Diagram: Power Up

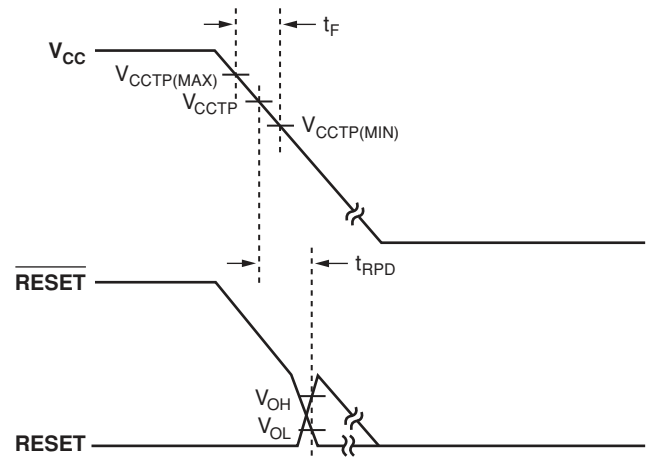


Figure 2. Timing Diagram: Power Down

#### Manual Reset Operation

Push-button input,  $\overline{\text{PBRST}}$ , allows the user to issue reset signals. The pushbutton input is debounced and is pulled high through an internal 40k $\Omega$  resistor.

When  $\overline{\text{PBRST}}$  is held low for the minimum time of 20 ms, both resets become active and remain active for a minimum time period of 250ms after  $\overline{\text{PBRST}}$  returns high.

No external pull-up resistor is required, since  $\overline{\text{PBRST}}$  is pulled high by an internal 40k $\Omega$  resistor.

$\overline{\text{PBRST}}$  can be driven from a TTL or CMOS logic line or short-ed to ground with a mechanical switch.

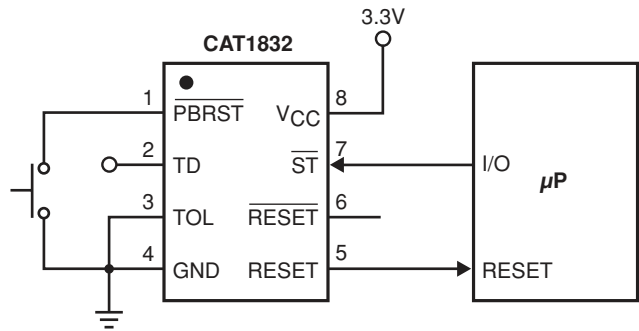
**WATCHDOG TIMER AND  $\overline{ST}$  INPUT**

A watchdog timer stops and restarts a microprocessor that has stopped proper operation or become “hung”. The watchdog performs this function by monitoring the  $\overline{ST}$  input. After the reset outputs go inactive the  $\overline{ST}$  input must be strobed with a high-to-low signal transition prior to the minimum watchdog timeout period. However if the  $\overline{ST}$  input is not strobed with a high-to-low signal transition prior to a watchdog timeout the reset outputs will become active for  $T_{RST}$  resetting and restarting the microprocessor. Once the resets return to the inactive state the watchdog timer restarts the process.

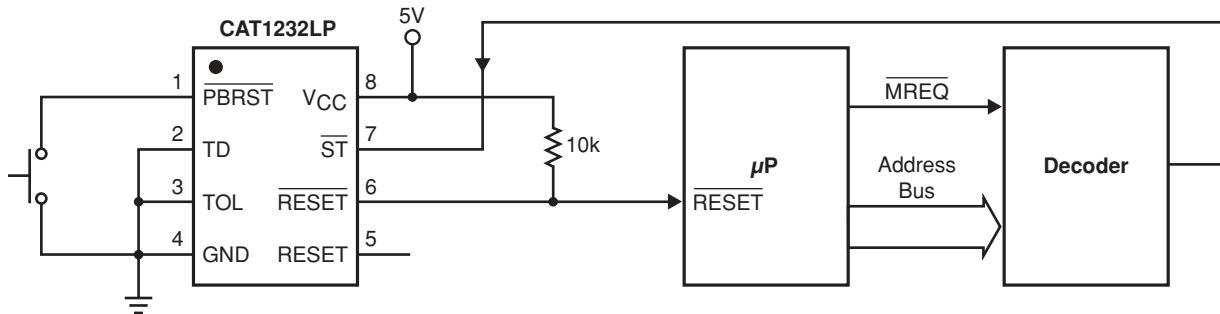
The TD input allows the user to select from three predetermined watchdog timeout periods. Always use the minimum timeout period to determine the required frequency of  $\overline{ST}$  high-to-low transitions and the maximum to determine the time prior to the reset outputs becoming active.  $\overline{ST}$  pulse widths must be 20ns or greater.

The watchdog timer cannot be disabled. It must be strobed with a high-to-low signal transition to avoid a watchdog timeout and subsequent reset.

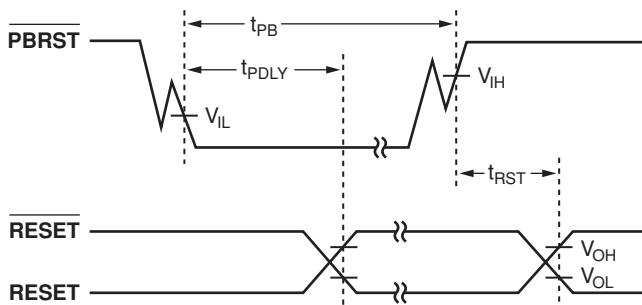
TD Voltage Level	Watchdog Time-out Period (ms)		
	MIN	NOMINAL	MAX
GND	62.5	150	250
Floating	250	600	1000
V <sub>CC</sub>	500	1200	2000



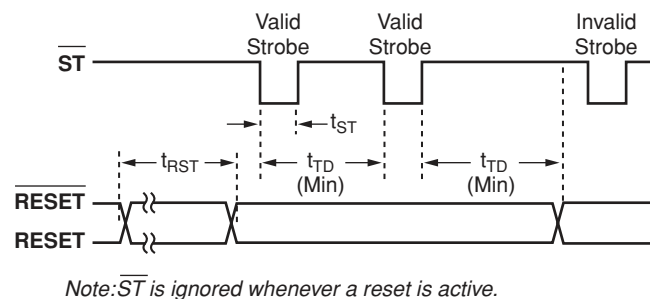
**Figure 4. CAT1832 Application Circuit: Pushbutton Reset**



**Figure 5. CAT1232LP Application Circuit: Watchdog Timer**



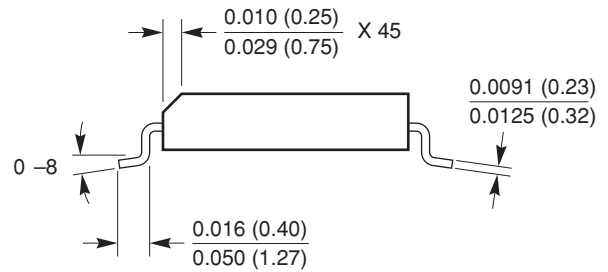
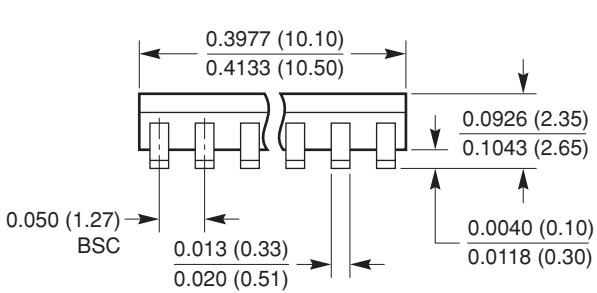
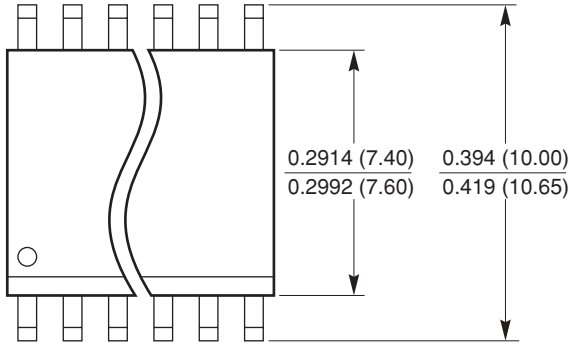
**Figure 6. Timing Diagram: Pushbutton Reset**



**Figure 7. Timing Diagram: Strobe Input**

**PACKAGE MECHANICAL**

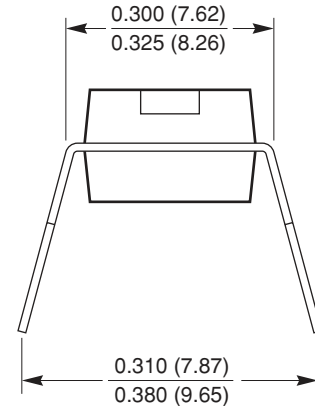
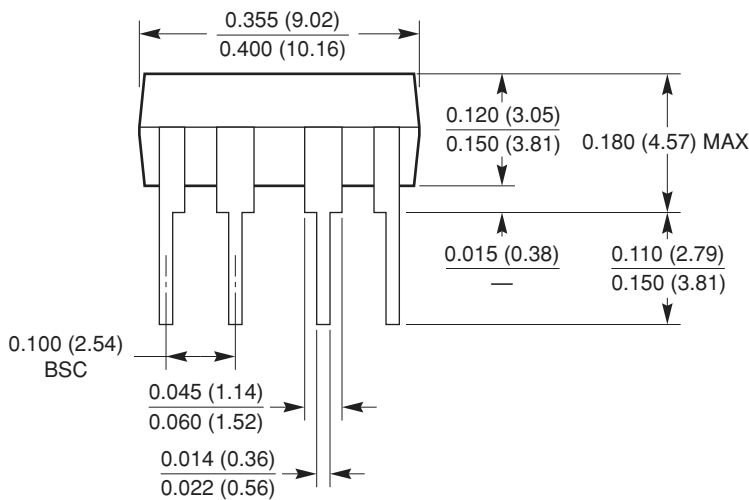
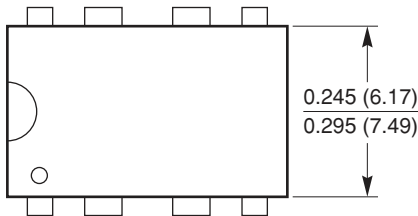
**16-LEAD WIDE BODY SOIC (300mil)**



Notes:

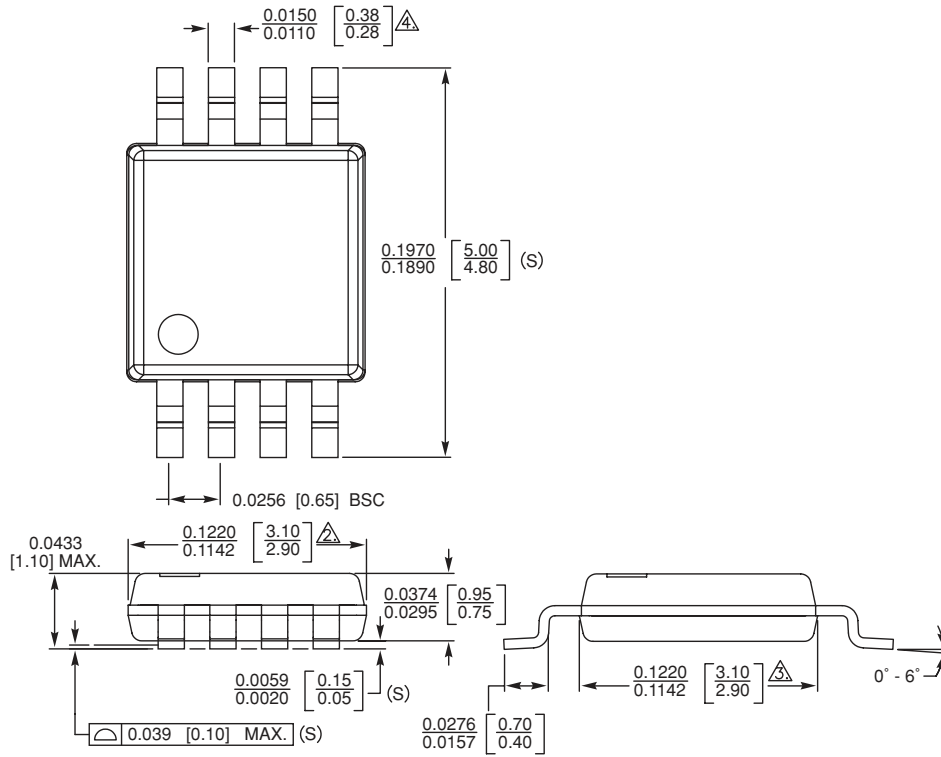
1. Complies with JEDEC publication 95 MS-013 dimensions; however, some dimensions may be more stringent.
2. All linear dimensions are in inches and parenthetically in millimeters.

**8-LEAD DIP (300mil)**

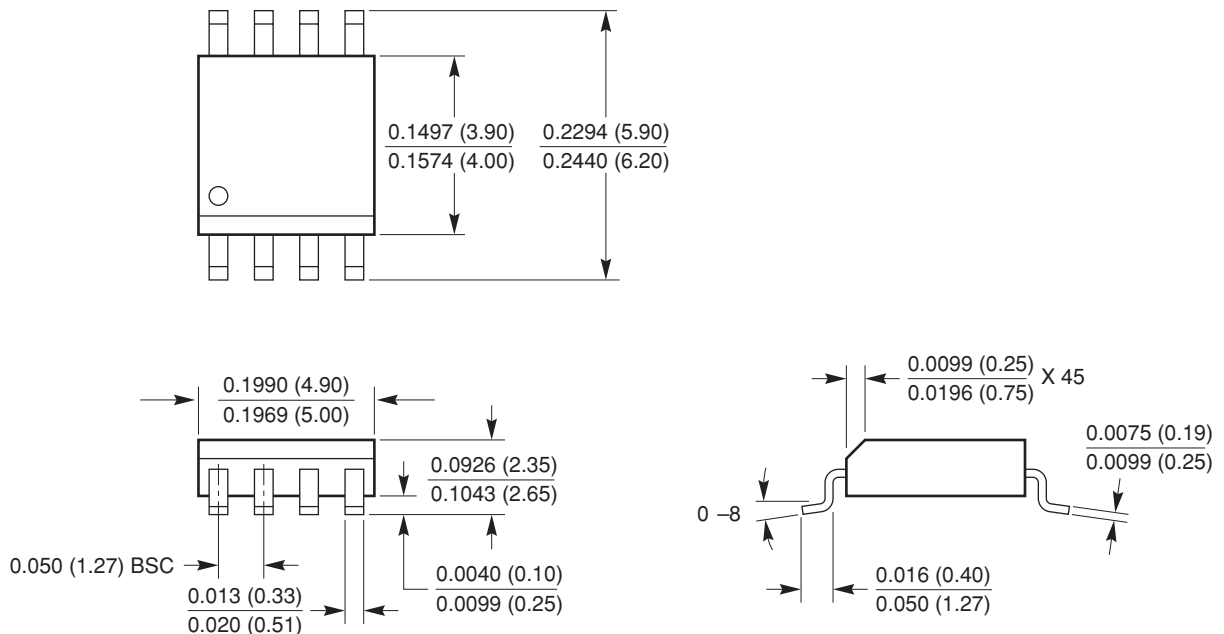


**PACKAGE MECHANICAL**

**8-LEAD MSOP**



**8-LEAD Narrow Body SOIC (150mil)**





## REVISION HISTORY

Date	Revision	Comments
06/13/2005	00	Initial Issue
07/26/2005	A	Update Electrical Characteristics Add Typical Characteristics
03/27/2006	B	Update Document Title Update Ordering Information

---

### **Copyrights, Trademarks and Patents**

Trademarks and registered trademarks of Catalyst Semiconductor include each of the following:

DPP™ AE<sup>2</sup>™

Catalyst Semiconductor has been issued U.S. and foreign patents and has patent applications pending that protect its products.

*CATALYST SEMICONDUCTOR MAKES NO WARRANTY, REPRESENTATION OR GUARANTEE, EXPRESS OR IMPLIED, REGARDING THE SUITABILITY OF ITS PRODUCTS FOR ANY PARTICULAR PURPOSE, NOR THAT THE USE OF ITS PRODUCTS WILL NOT INFRINGE ITS INTELLECTUAL PROPERTY RIGHTS OR THE RIGHTS OF THIRD PARTIES WITH RESPECT TO ANY PARTICULAR USE OR APPLICATION AND SPECIFICALLY DISCLAIMS ANY AND ALL LIABILITY ARISING OUT OF ANY SUCH USE OR APPLICATION, INCLUDING BUT NOT LIMITED TO, CONSEQUENTIAL OR INCIDENTAL DAMAGES.*

Catalyst Semiconductor products are not designed, intended, or authorized for use as components in systems intended for surgical implant into the body, or other applications intended to support or sustain life, or for any other application in which the failure of the Catalyst Semiconductor product could create a situation where personal injury or death may occur.

Catalyst Semiconductor reserves the right to make changes to or discontinue any product or service described herein without notice. Products with data sheets labeled "Advance Information" or "Preliminary" and other products described herein may not be in production or offered for sale.

Catalyst Semiconductor advises customers to obtain the current version of the relevant product information before placing orders. Circuit diagrams illustrate typical semiconductor applications and may not be complete.

---



Catalyst Semiconductor, Inc.  
Corporate Headquarters  
1250 Borregas Avenue  
Sunnyvale, CA 94089  
Phone: 408.542.1000  
Fax: 408.542.1200  
www.catsemi.com

Publication #: 25089  
Revision: B  
Issue date: 03/27/06