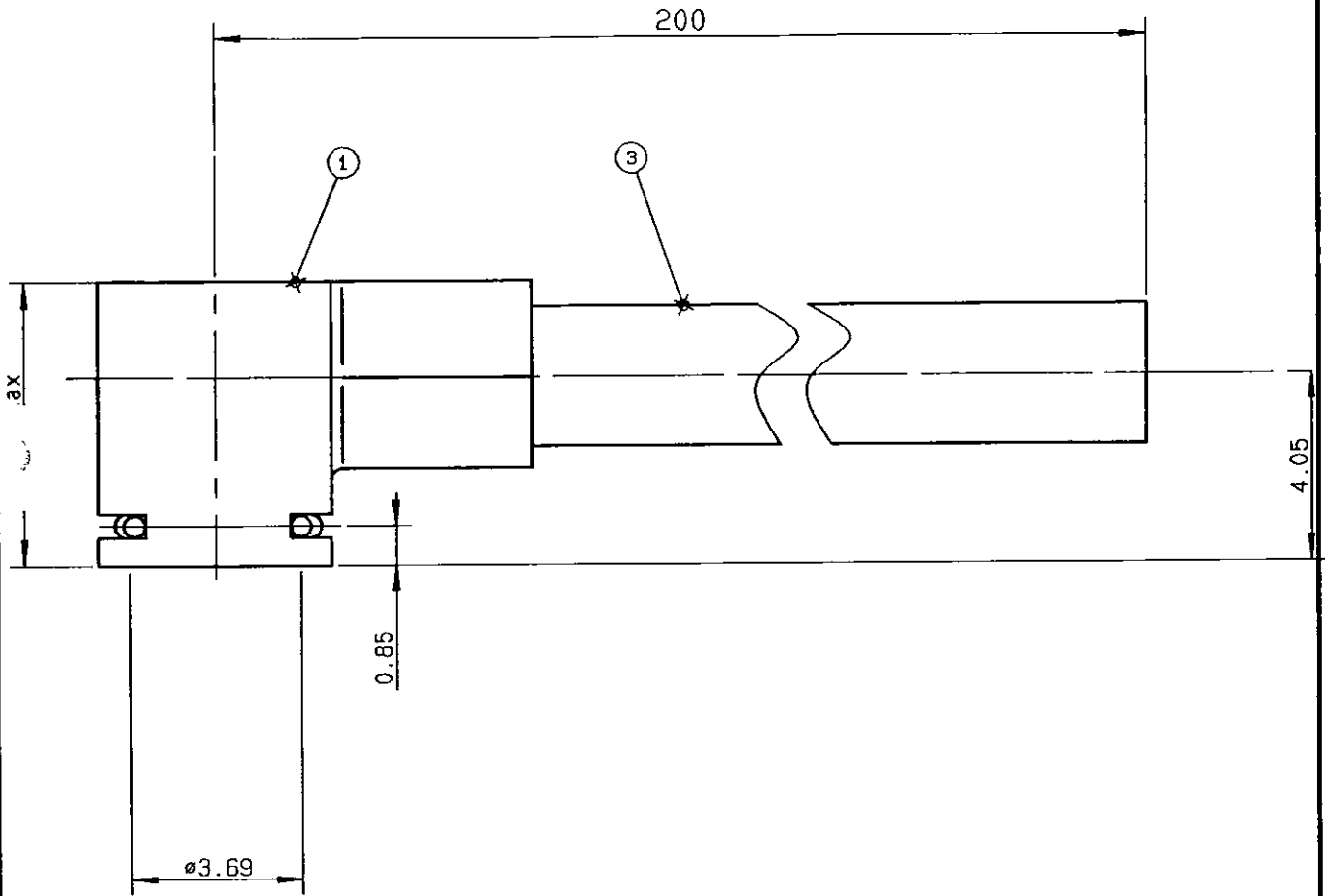


**MMT FEMALE 20 CM  
CABLE 2/50 S-BR**

**R284.008.001**  
SERIES MMT



- \*1\* Connector A : R210.153.000
- \*2\* Connector B :
- \*3\* Cable : C291.145.007
- Type : CAB HF 2/50 RG 178 BROWN

NOMINAL IMPEDANCE	50	Ω
FREQUENCY RANGE	0-8	GHz
TEMPERATURE RATING	-55/+100	°C
V.S.W.R	1.10 +	0.05 x F(GHz)Maxi
RF INSERTION LOSS	0.20	√F(GHz) dB Maxi
VOLTAGE RATING	170	Veff Maxi
DIELECTRIC WITHSTANDING VOLTAGE	500	Veff Mini
INSULATION RESISTANCE	5000	MΩMini

WEIGHT gr  
CABLE RETENTION 20 N Mini

OTHERS CHARACTERISTICS

SPECIFICATION

ISSUE

CREATION DATE

FILE PART-NUMBER

9722A02

10-OCT-96



**RADIALL®**

GONZALEZ