

## Flat suction pad (round)

SFF 15 HT1-60 G1/8-IG

Part no...:10.01.01.14275

<https://www.schmalz.com/10.01.01.14275>

Home > Vacuum Technology for Automation > Vacuum Components > Vacuum Suction Cups > Suction Cups for the Electronics Industry > Suction Cups SFF / SFB1 > SFF 15 HT1-60 G1/8-IG

### Flat suction cup (round) for dynamic handling of thin and flexible workpieces



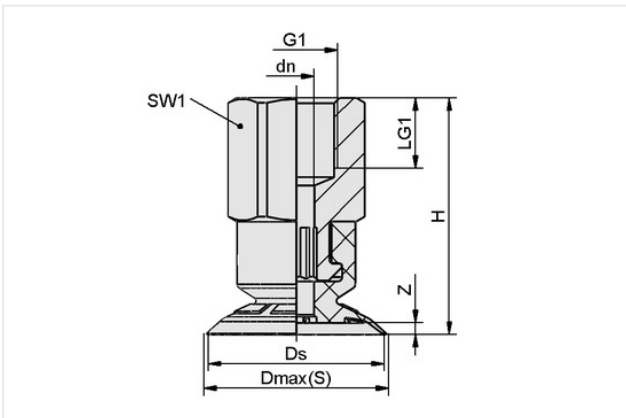
Size: 15

Suction cup material: High temp material HT1

Material hardness [Shore A]: 60 Shore A

Number of folds: 0

### Design Data



Attribute	Value
G1	G1/8"-F
Dmax(S)	16 mm
Ds	15 mm
dn	4 mm
LG1	8 mm
H	26.50 mm
SW1	14 mm
Z (Stroke)	1 mm

### Technical Data

Attribute	Value
Size	15
Suction cup material	High temp material HT1
Suction force (-600mbar)	6.60 N
Product family	SFF
Volume	0.60 cm <sup>3</sup>
Number of folds	0
Material hardness [Shore A]	60 Shore A

### Contact Schmalz

Schmalz Inc. | 5850 Oak Forest Drive, Raleigh, NC 27616, United States | +1 (919) 713-0880 | [schmalz.us@schmalz.com](mailto:schmalz.us@schmalz.com)

## Flat suction pad (round)

SFF 15 HT1-60 G1/8-IG

Part no...:10.01.01.14275

<https://www.schmalz.com/10.01.01.14275>

### Spare parts



#### SFF 15 HT1-60 SC040

Part no...:10.01.01.14051

Size: 15

Suction cup material: High temp material HT1

Material hardness [Shore A]: 60 Shore A

Number of folds: 0



#### SC 040 G1/8-IG

Part no...:10.01.06.02482

Connection geometry: 040

Connection: G1/8"-F

Length L1: 20.7 mm

Fitting length: 14 mm

Nominal diameter dn: 4.1 mm