

Stewart Connector

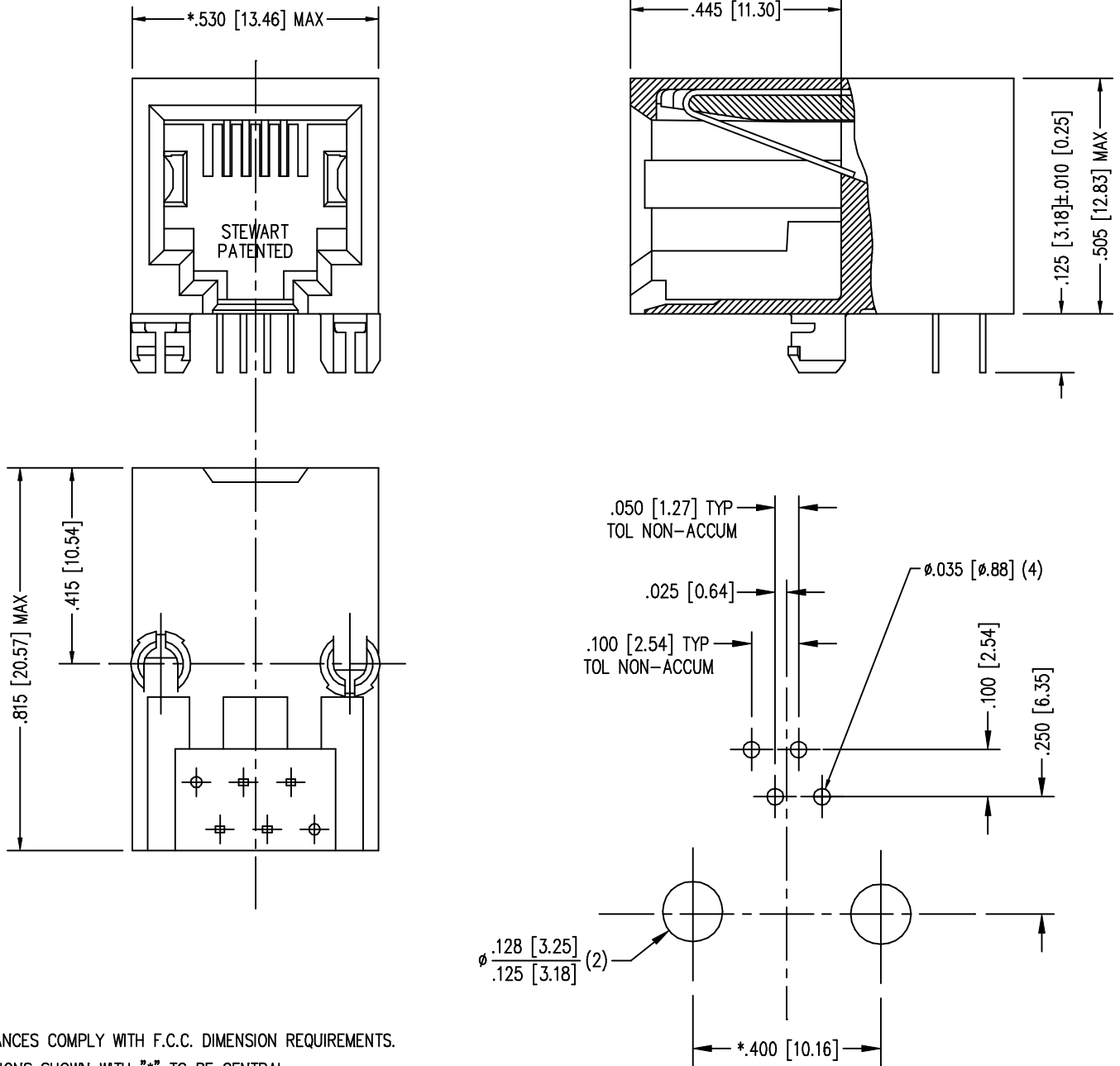
http://www.stewartconnector.com

11118 Susquehanna Trail South
 Glen Rock, PA 17327-9199
 (717) 235-7512 Fax: (717) 235-7954

REV.	REVISION CHANGES	ECN
A0	AS DRAWN	-
A1	FORMAT CHANGE	5530

PART NO. SS-6446-NF-A431

FOUR CONTACT, SIX POSITION JACK
 "-NF" NON-FLANGE
 "-A431" DESIGNATES ACTI-SNAP POSTS



- NOTES:
- TOLERANCES COMPLY WITH F.C.C. DIMENSION REQUIREMENTS.
 - DIMENSIONS SHOWN WITH "*" TO BE CENTRAL ABOUT CENTER LINE.
 - DIMENSIONS SHOWN ARE SUBJECT TO CHANGE WITHOUT NOTICE.

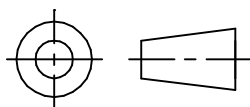
AVAILABLE WITH:
 - 30 & 50 MICRO-INCH SELECTIVE GOLD PLATING

P.C.B. RECOMMENDED HOLE LAYOUT
 SEEN FROM COMPONENT SIDE
 TOLERANCE ±.003 [0.08] UNLESS OTHERWISE SPECIFIED

SHEET 1 OF 1

THIS DRAWING AND THE SUBJECT MATTER SHOWN THEREON ARE CONFIDENTIAL AND THE PROPRIETARY PROPERTY OF STEWART CONNECTOR ("SCS") AND SHALL NOT BE REPRODUCED, COPIED OR USED IN ANY MANNER WITHOUT PRIOR WRITTEN CONSENT OF "SCS". THE SUBJECT MATTER MAY BE PATENTED OR A PATENT MAY BE PENDING. © SCS

THIRD ANGLE PROJECTION



DRN BY: S. ROYER	DATE 12/27/01	ORIGINAL PROPOSAL DRAWING -
CKD BY: DENNIS BUSH	DATE 1-31-02	ENR NUMBER
APPD BY: JASON COWBURN	DATE 1-31-02	PROJECT NO. -
UNLESS OTHERWISE SPECIFIED TOLERANCES ARE ±.005 [±0.13]	DWG NO. CT640264	REV. A1