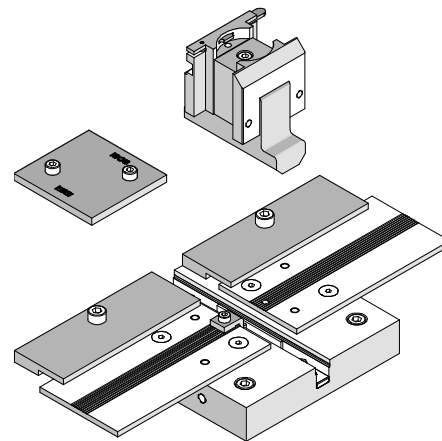




**IDT Ribbon Cable Terminator
Specification Sheet for
Order No. 62200-4600**



FEATURES

- This Terminator Tool Kit is mounted into the 11-31-6356 Molex Standard Manual Assembly Press. See the 62200-5500 Complete Manual Press for installation.
- The tool is easily adjusted for circuit sizes up to 68.
- An adjustable cable stop allows the operator to consistently produce quality “Feed-To”, “Feed-Through”, or “Daisy Chain” type harnesses.

SCOPE

Products: 1.27mm (.050") Pitch EBBI(TM) 50D Receptacle, 71660 Series, up to 50 Circuits and 1.27mm (.050") Pitch SCSI+ Plug, Unshielded, for .025" Ribbon Cable, 70498 and 79058 Series, up to 68 Circuits.

EBBI™ Series number 71660					
Receptacle Assembly Order Number					
015-92-1030	015-92-3030	71660-3330	71660-3540	71660-7250	71660-9330
015-92-1040	015-92-3040	71660-3340	71660-3550	71660-7630	71660-9340
015-92-1050	015-92-3050	71660-3350	71660-7030	71660-7640	71660-9350
015-92-1430	71660-1450	71660-3430	71660-7040	71660-7650	
015-92-1440	71660-1630	71660-3440	71660-7050	71660-9030	
015-92-1450	71660-1640	71660-3450	71660-7230	71660-9040	
015-92-1550	71660-1650	71660-3530	71660-7240	71660-9050	

SCSI™ Series number 70498					
Plug Assembly Order Number					
70498-2040	70498-2140	70498-2268	70498-3068	70498-3168	70498-4568
70498-2050	70498-2150	70498-3040	70498-3140	70498-4068	
70498-2068	70498-2168	70498-3050	70498-3150	70498-4201	
SCSI™ Series number 79058					
Plug Assembly Order Number					
015-87-1050	015-87-2068	79058-3268	79058-5050	79058-7050	79058-8068
015-87-1068	79058-3026	79058-4040	79058-5068	79058-7068	79058-8126
015-87-1150	79058-3040	79058-4050	79058-5268	79058-8026	79058-8140
01587-1168	79058-3050	79058-4068	79058-7026	79058-8040	79058-8150
015-87-2050	79058-3068	79058-5040	79058-7040	79058-8050	79058-8168

Installation:

This tool kit is intended for use only in the Molex Standard Manual Assembly Press Order No. 11-31-6356 (AM60026-50).

Note: Follow the operating instructions in the ATS-622005500 instruction manual.

PARTS LIST

Adaptor Kit 62200-4600				
Item	Order No	Engineering No.	Description	Quantity
Main Components				
1	11-20-1314	AM63240Q	Quick Release for Upper Tooling	1
2	62200-4601	62200-4601	Nest Base	1
3	62200-4602	62200-4602	Cable Locator	2
4	62200-4603	62200-4603	Cable Edge Guide	2
5	62200-4604	62200-4604	Guide Mount	2
6	62200-4605	62200-4605	Platen	1
7	62200-4606	62200-4606	Locating Pin	1
8	62200-4607	62200-4607	Cable Stop	1
9	62200-4608	62200-4608	Cable Stop EBBI and SCSI	1
10	62200-4610	62200-4610	SCSI Nest 68 Circuit Connector	1
11	62200-4611	62200-4611	SCSI Nest 50 Circuit Connector	1
12	62200-4612	62200-4612	EBBI Nest	1
Hardware				
13	N/A	N/A	M3 by 8 Long SHCS	2**
14	N/A	N/A	M3 by 12 Long SHCS	1**
15	N/A	N/A	M4 by 8 Long FHCS	4**
16	N/A	N/A	M4 by 12 Long SHCS	2**
17	N/A	N/A	M5 by 10 Long SHCS	2**
18	N/A	N/A	M5 by 20 Long SHCS	2**
19	N/A	N/A	M5 by 40 Long SHCS	4**
20	N/A	N/A	3mm by 8 Long Dowel Pin	2**
21	N/A	N/A	4mm by 10 Long Dowel Pin	4**
** Available from an industrial supply company such as MSC (1-800-645-7270).				

Assembly

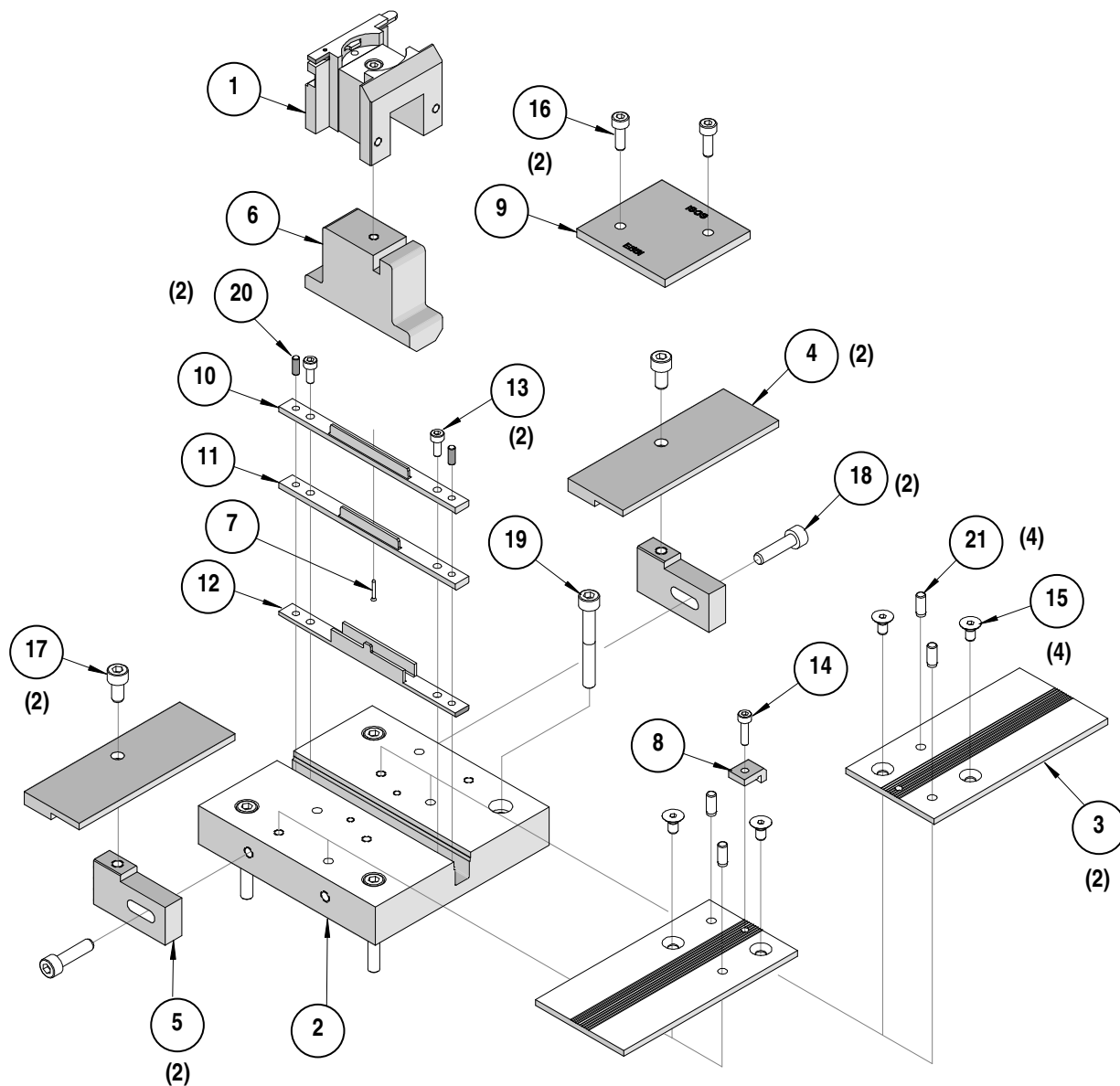


Figure 1

Americas Headquarters
 Lisle, Illinois 60532 U.S.A.
 1-800-78MOLEX
 amerinfo@molex.com

Far East North Headquarters
 Yamato, Kanagawa, Japan
 81-462-65-2324
 feninfo@molex.com

Far East South Headquarters
 Jurong, Singapore
 65-6-268-6868
 fesinfo@molex.com

European Headquarters
 Munich, Germany
 49-89-413092-0
 eurinfo@molex.com

Corporate Headquarters
 2222 Wellington Ct.
 Lisle, IL 60532 U.S.A.
 630-969-4550
 Fax: 630-969-1352

Visit our Web site at <http://www.molex.com>