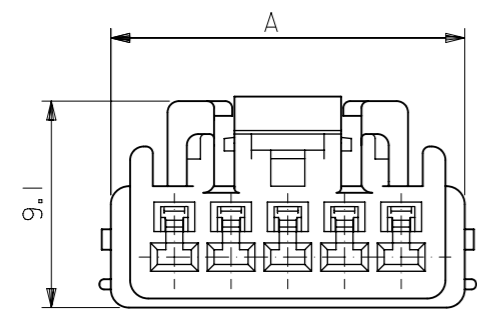
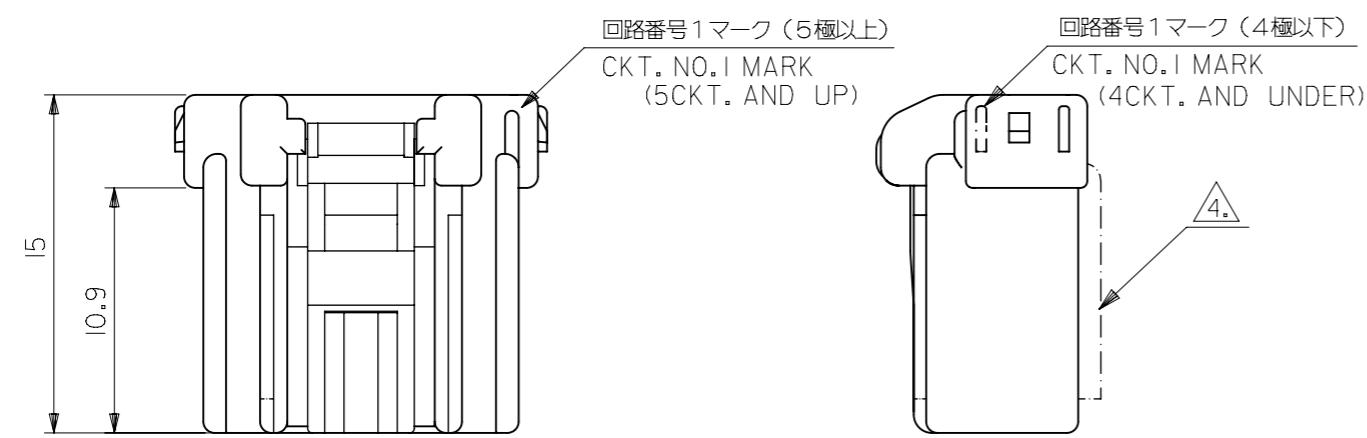
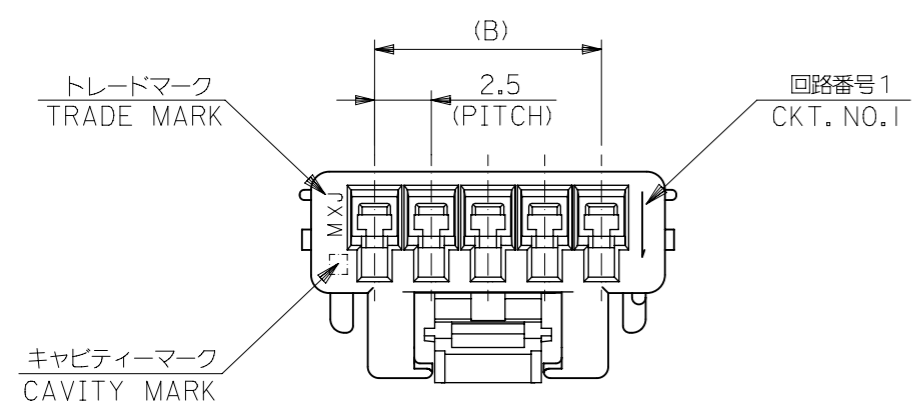


SHAPE OF
500592-050*



注記
NOTES

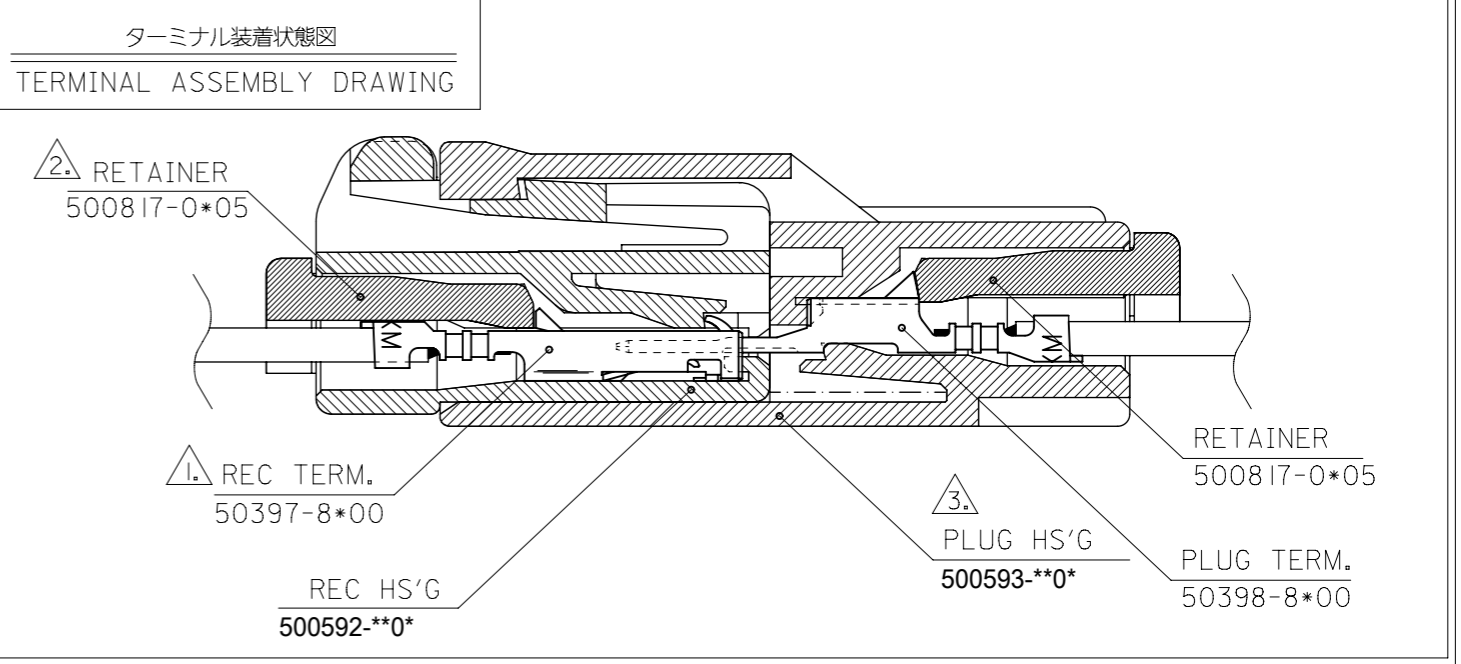
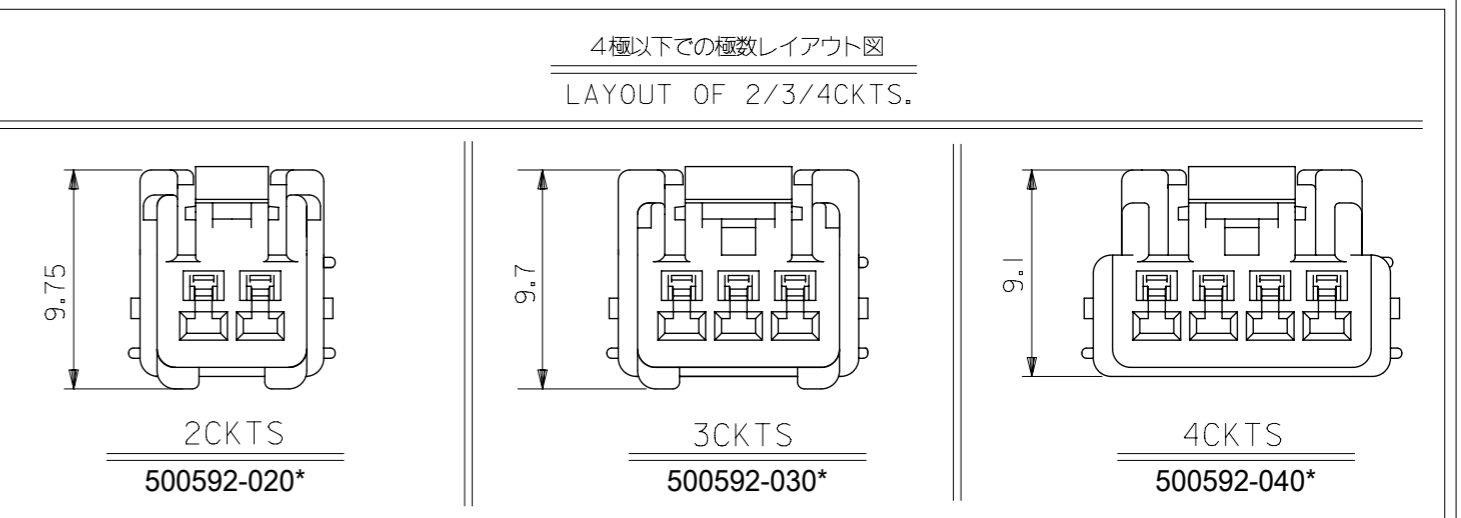
1. 適合ターミナル : 50397シリーズ
APPLICABLE TERMINAL : 50397 SERIES
2. 適合リテーナー : 500817シリーズ
APPLICABLE RETAINER : 500817 SERIES
3. 嵌合相手 : 500593シリーズ
MATE WITH : 500593 SERIES
4. 2及び3極に適用。
APPLY 2&3 CIRCUITS.
5. 材質 : PBT (UL94V-0)
MATERIAL : PBT(UL94V-0)

6. MATERIAL NO. は以下の内容を示す。
MATERIAL NO. :

500592-**0*

極数 ← 色
CKT COLOR

0: 自然色 NATURAL
1: 黒 BLACK
2: 赤 RED
3: 黄色 YELLOW
4: 青 BLUE
6: 緑 GREEN



PRE-RELEASE
REFERENCE
USE ONLY

500592-**0* MODEL NO.

THIS DRAWING CONTAINS INFORMATION THAT IS PROPRIETARY TO MOLEX ELECTRONIC TECHNOLOGIES, LLC AND SHOULD NOT BE USED WITHOUT WRITTEN PERMISSION											
DIMENSION UNITS	SCALE	CURRENT REV DESC: OBSOLETE PART NUMBERS AS PER PCN#512131.									
mm	NTS	<div style="text-align: center; font-size: 2em; font-weight: bold;">molex</div> <p>2.5MM WIRE TO WIRE CONN RECEPTACLE HOUSING</p> <p>PRODUCT CUSTOMER DRAWING</p>									
GENERAL TOLERANCES (UNLESS SPECIFIED)											
ANGULAR TOL	± 3.0°										
4 PLACES	± 0.2										
3 PLACES	± 0.25										
2 PLACES	± 0.3	EC NO: 727779	DRWN: ANIKES1	2022/10/26	DOCUMENT NUMBER				DOC TYPE	DOC PART	REVISION
1 PLACE	±	CHK'D: GGA	APPR: GGA	2022/11/29	SD-500592-001				PSD	001	C
0 PLACES	±	INITIAL REVISION:		2004/06/11	MATERIAL NUMBER				CUSTOMER		SHEET NUMBER
DRAFT WHERE APPLICABLE MUST REMAIN WITHIN DIMENSIONS		THIRD ANGLE PROJECTION	DRAWING	SERIES	SEE TABLE		GENERAL MARKET		1 OF 2		

10 9 8 7 6 5 4 3 2 1

F
E
D
C
B
A

500593-080*	500817-0805	17.5	23.1	8	---	---	---	---	500592-0800	
↑ -070*	↑ -0705	15	20.6	7	---	---	---	---	↑ -0700	
-060*	-0605	12.5	18.1	6	---	---	---	---	-0600	
-050*	-0505	10	15.6	5	---	---	---	---	-0500	500592-***
-040*	-0405	7.5	13.1	4	---	500592-0403	---	---	-0400	
↓ -030*	↓ -0305	5	10.6	3	500592-0304	---	---	---	↓ -0300	
500593-020*	500817-0205	2.5	8.1	2	500592-0204	500592-0203	500592-0202	500592-0201	500592-0200	
MATE WITH	CONFORTABLE-RETAINER	B	A	CKT.	BLUE	YELLOW	RED	BLACK	NATURAL	MODEL NO.

PRE-RELEASE
REFERENCE
USE ONLY

THIS DRAWING CONTAINS INFORMATION THAT IS PROPRIETARY TO MOLEX ELECTRONIC TECHNOLOGIES, LLC AND SHOULD NOT BE USED WITHOUT WRITTEN PERMISSION

DIMENSION UNITS	SCALE	CURRENT REV DESC: OBSOLETE PART NUMBERS AS PER PCN#512131.
mm	NTS	
GENERAL TOLERANCES (UNLESS SPECIFIED)		
ANGULAR TOL	± 3.0 °	
4 PLACES	± 0.2	EC NO: 727779
3 PLACES	± 0.25	DRWN: ANIKES1 2022/10/26
2 PLACES	± 0.3	CHK'D: GGA 2022/11/29
1 PLACE	±	APPR: GGA 2022/11/29
0 PLACES	±	INITIAL REVISION:
		DRWN: TODA 2004/06/11
		APPR: YOITO 2004/06/16
DRAFT WHERE APPLICABLE MUST REMAIN WITHIN DIMENSIONS	THIRD ANGLE PROJECTION	DRAWING
		A3-SIZE
		SERIES
		500592
		MATERIAL NUMBER
		SEE TABLE
		CUSTOMER
		GENERAL MARKET
		SHEET NUMBER
		2 OF 2

molex

2.5MM WIRE TO WIRE CONN RECEPTACLE HOUSING

PRODUCT CUSTOMER DRAWING

DOCUMENT NUMBER	DOC TYPE	DOC PART	REVISION
SD-500592-001	PSD	001	C

DOCUMENT STATUS	P1	RELEASE DATE	2022/11/29 12:45:08
-----------------	----	--------------	---------------------

9 8 7 6 5 4 3 2 1

FORMAT: master-b-prod-A3
REVISION: 11
DATE: 2021/05/01