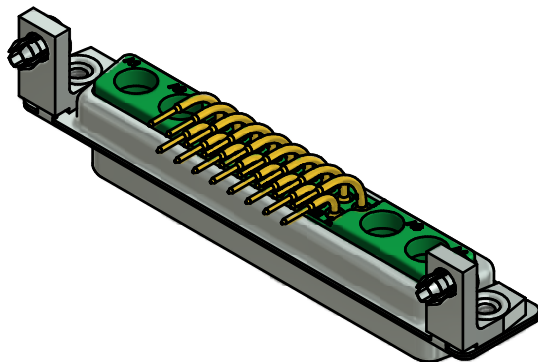
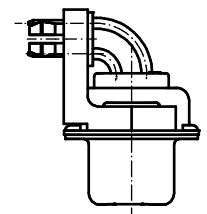
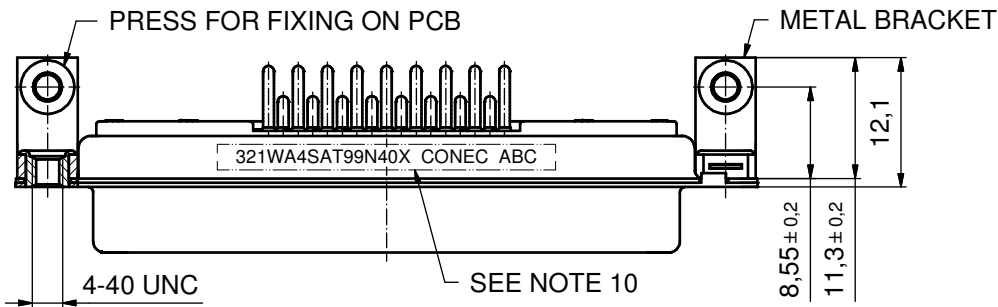
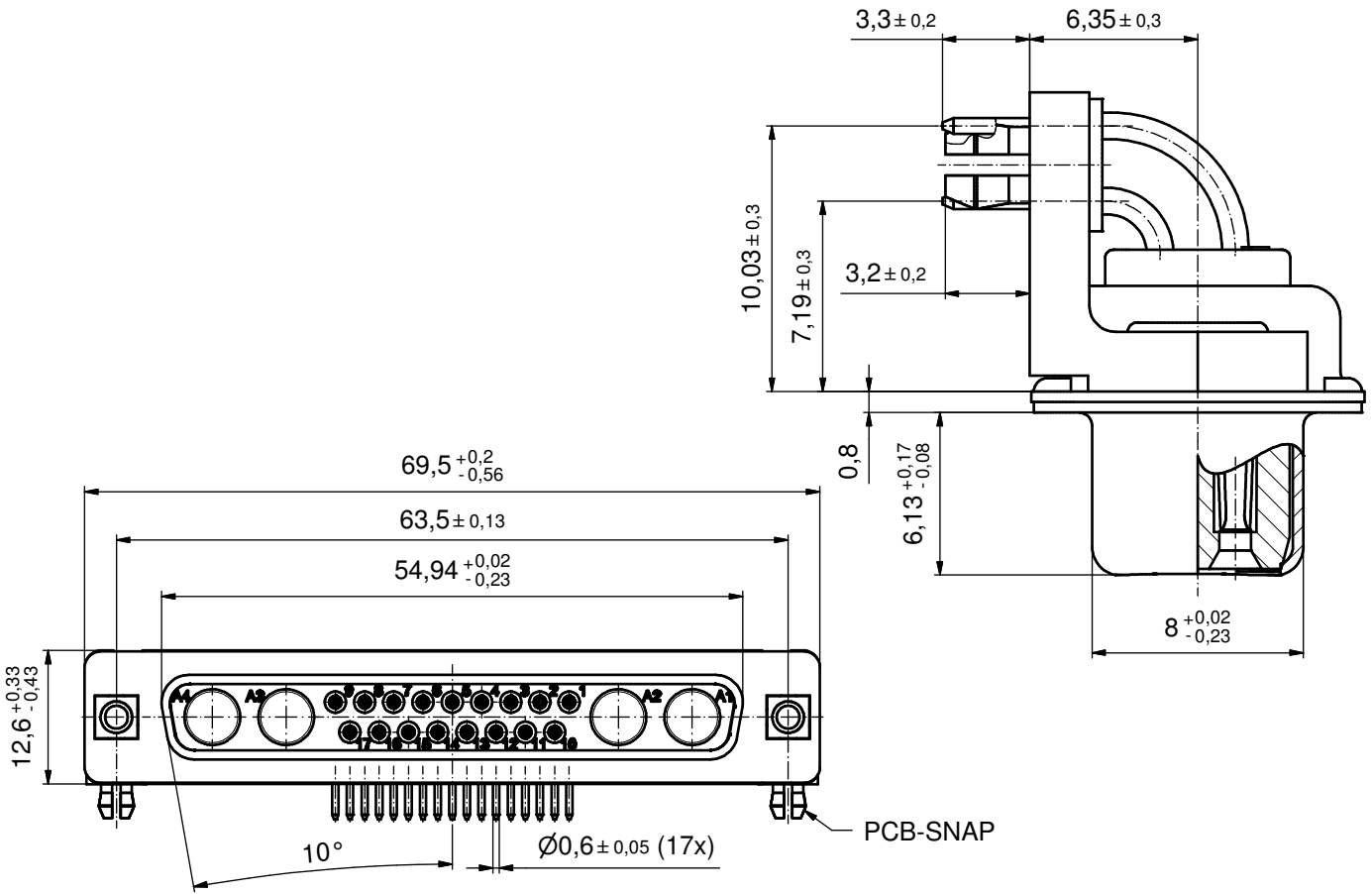


(5:1)



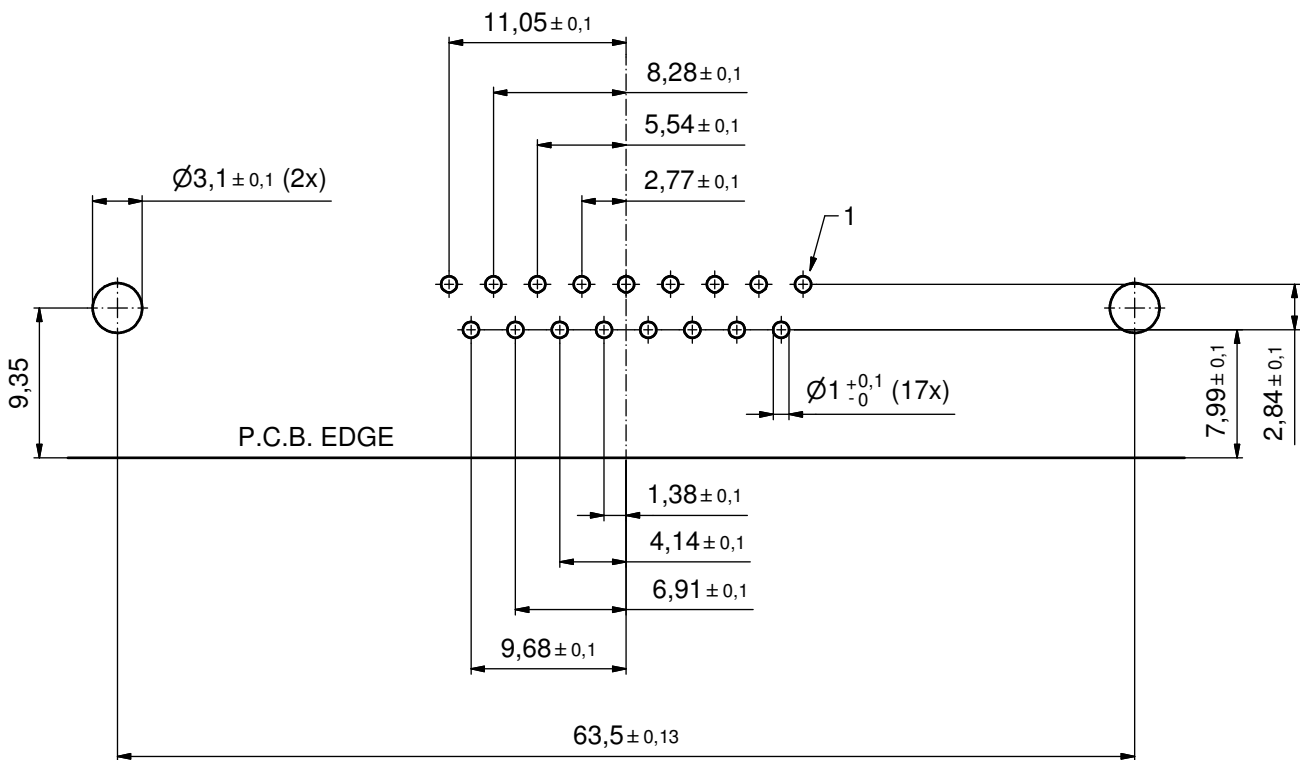
NOTES:

1. METALHELLS: STEEL; min. 315µm TIN over 40-80µm NICKEL
2. INSULATORS: PBT GF UL 94 V-0; GREEN
3. SIGNAL CONTACTS: COPPER ALLOY
PLATING: GOLD FLASH over NICKEL
4. NO CONTACTS ON POS. A1 - A4
5. METAL BRACKETS: ZINC DIE CAST; 300µm COPPER/40-120µm NICKEL/120-200µm TIN
6. THREADED INSERTS: COPPER ALLOY; min. 200µm TIN over 80µm NICKEL
7. PCB-SNAPS: COPPER ALLOY; min. 200µm TIN over 80µm NICKEL
PCB-HOLE: $\varnothing 3,1 \pm 0,1$; PCB THICKNESS 1,6mm
8. P.C.B. HOLE DRILLINGS ON SHEET 2
9. MAXIMUM TORQUE VALUE FOR THREAD: 6 in.LB
10. CONNECTOR IS PART MARKED: 321WA4SAT99N40X CONEC ABC

Directive 2002/95/EC RoHS compliant

THIS DRAWING MAY NOT BE COPIED OR REPRODUCED IN ANY WAY, AND MAY NOT BE PASSED ON TO A THIRD PARTY WITHOUT WRITTEN PERMISSION. OWNERSHIP AND COPYRIGHT OF CONEC GmbH DO NOT ALTER CAD DRAWING BY HAND				tolerance	dim. in mm	scale:	2:1 (5:1)	
				date		name	material:	SEE NOTES
				drawn	04.01.13	Henneboel	title: D-SUB COMB. FEMALE 90° 21WA4S with threaded insert, metal bracket and snap	
				appd.	04.01.13	Koch		
				norm				
				d-old				
				rev.	a	Original	dwg no:	13K1A4144
				description	date	name	part no:	321WA4SAT99N40X
							DIN-A3	sh: 1/2

P.C.B. HOLE DRILLING
(P.C.B. TOP SIDE)



THIS DRAWING MAY NOT BE COPIED OR REPRODUCED IN ANY WAY, AND MAY NOT BE PASSED ON TO A THIRD PARTY WITHOUT WRITTEN PERMISSION. OWNERSHIP AND COPYRIGHT OF CONEC GmbH DO NOT ALTER CAD DRAWING BY HAND					tolerance	dim. in mm	scale:	3:1	
					date		name	material:	SEE SHEET 1
					drawn	04.01.13	Henneboel	title: P.C.B. HOLE DRILLINGS D-SUB COMBINATION FEMALE 90° 21WA4S with threaded insert, metal bracket and snap	
					appd.	04.01.13	Koch		
					norm				
					d-old			dwg no:	DIN-A3
	a	Original						13K1A4144	sh: 2/2
	rev.	description	date	name				part no:	SEE SHEET 1