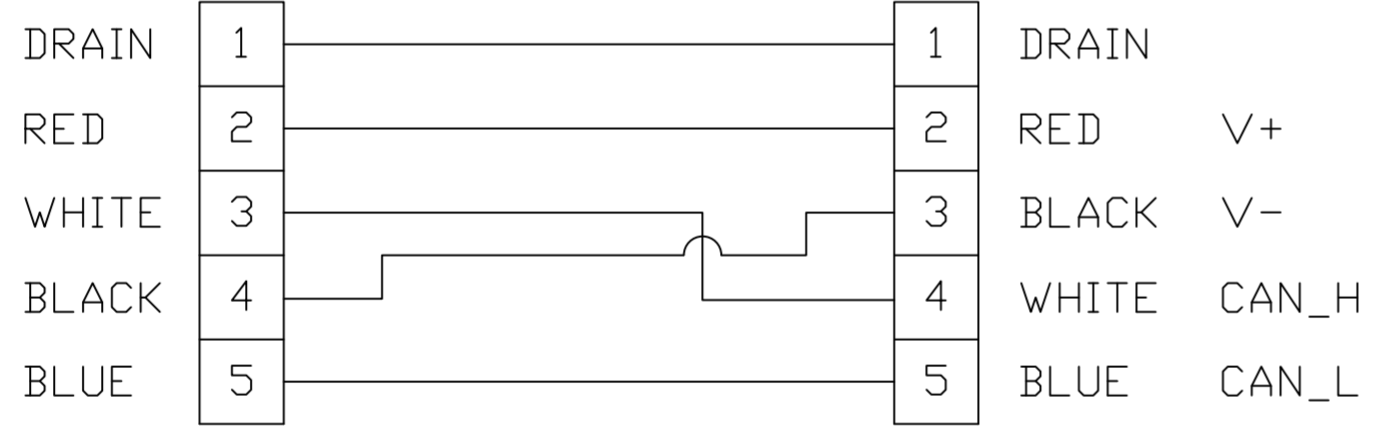
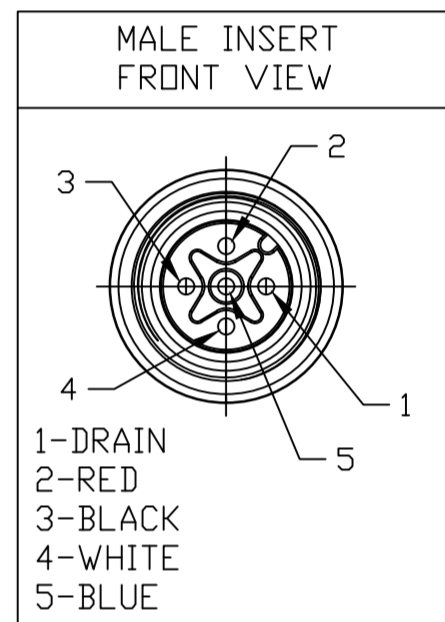
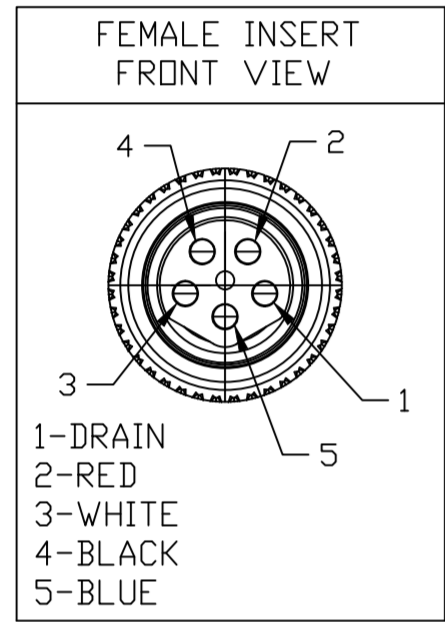
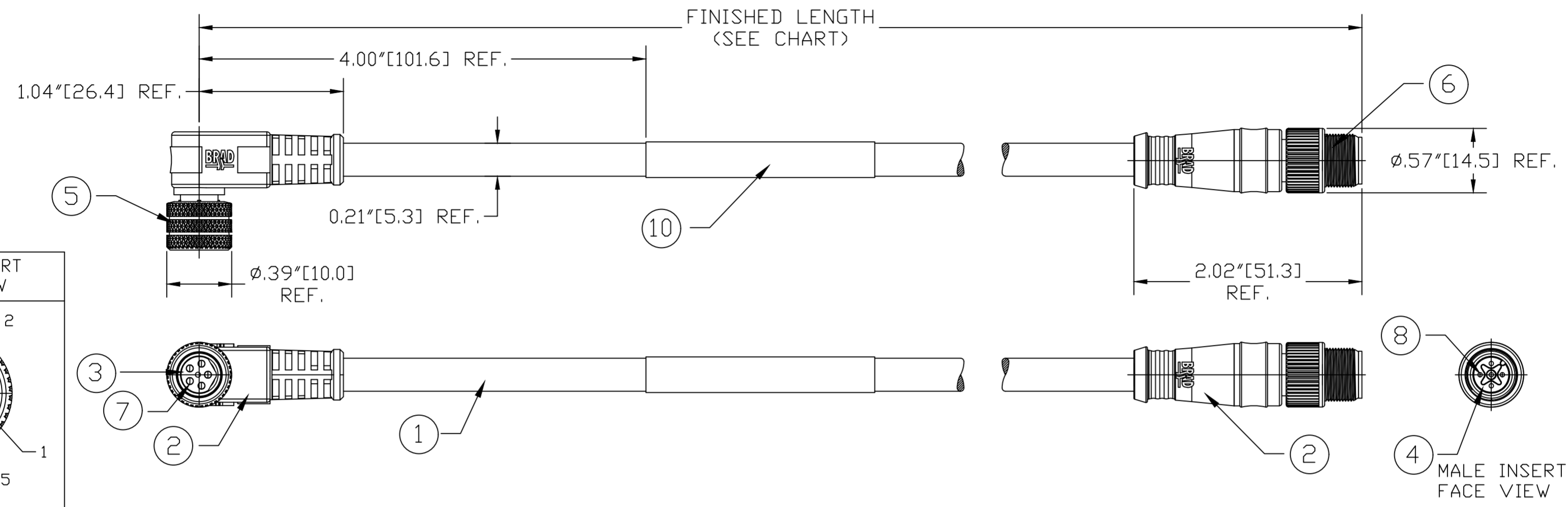


MATERIAL NUMBER	OLD PART NUMBER	FINISHED LENGTH
1300300090	485031D12M010	1M
1300300103	485031D12M020	2M

CABLE LENGTH TOLERANCES

>.3M [1FT]: +19mm-0 [+1.75in-0]
 .3 - .9M [1 - 3FT]: +44.5mm-0 [+1.75in-0]
 .9 - 1.8M [3 - 6FT]: +55.6mm-0 [+2.19in-0]
 1.8 - 3.7M [6 - 12FT]: +88.9mm-0 [+3.50in-0]
 3.7 - 7.3M [12 - 24FT]: +165.1mm-0 [+6.50in-0]
 7.3-14.6M [24 - 48FT]: +317.5mm-0 [+12.50in-0]
 14.6 - 30.5M [48-100FT]: +622.3mm-0 [+24.50in-0]
 OVER 30M [100FT] +2% OF FINISHED LENGTH



485031D12M010

Wire type
#26 AWG
Gray PVC

cable length
M020----2 Meter
M100----10 Meter

- NOTES:**
- MATERIAL: AS NOTED
 - FINISH: AS NOTED
 - ELECTRICAL:
VOLTAGE: 60 VAC/ 75 VDC
CURRENT: 1.68A
 - TEMP RATING: -20°C TO 80°C
 - PROTECTION: IP67 (WHEN MATED)
 - COUPLING THREAD: M12 X 1
 - ALL DIMS ARE FOR REFERENCE UNLESS TOLERANCED OR NOTED OTHERWISE

10	WRAP ID LABEL	VINYL	BLACK/YELLOW
9	O-RING	VITON	RED
8	MALE PIN CONTACT	COPPER ALLOY	GOLD PLATED
7	FEMALE SOCKET CONTACT	COPPER ALLOY	GOLD PLATED
6	MALE COUPLING NUT	BRASS	NICKEL PLATED
5	FEMALE COUPLING NUT	BRASS	NICKEL PLATED
4	MALE INSERT	PUR	BLACK
3	FEMALE INSERT	PUR	BLACK
2	OVERMOLD	TPC	GRAY
1	CABLE 4-TPR 26AWG CORD	PVC	GRAY
ITEM	DESCRIPTION	MATERIAL	FINISH

SYMBOLS 	THIS DRAWING CONTAINS INFORMATION THAT IS PROPRIETARY TO MOLEX ELECTRONIC TECHNOLOGIES, LLC AND SHOULD NOT BE USED WITHOUT WRITTEN PERMISSION		CURRENT REV DESC: ADDED NEW P/PIN AND UPDATED DRAWING TO MATCH CURRENT MOLEX FORMAT	
	DIMENSION UNITS INCH/MM	SCALE 1:1	molex MIC/NC ASSEMBLY 5 POLE M/MFE ST/90 #26 DROP CABLE 4-TPR	
GENERAL TOLERANCES (UNLESS SPECIFIED)		EC NO: 629783 DRWN: ALEON01 2019/12/23 CHK'D: MZIELINSKI 2020/01/02 APPR: BWOODMAN 2020/01/03		
4 PLACES ±---- ±---- 3 PLACES ±---- ±0.005 2 PLACES ±0.13 ±0.01 1 PLACE ±0.25 ±0.02		INITIAL REVISION: DRWN: EBRACKEN 2013/06/25 APPR: BWOODMAN 2013/08/14		
0 PLACES ±---- ±---- ANGULAR TOL ± 0.5 °		DOCUMENT NUMBER: SD-130030-006 DOC TYPE: PSD DOC PART: 001 REVISION: B		
DRAFT WHERE APPLICABLE MUST REMAIN WITHIN DIMENSIONS		THIRD ANGLE PROJECTION	DRAWING: C-SIZE	SERIES: 130030
MATERIAL NUMBER: 130030		CUSTOMER: GENERAL MARKET		SHEET NUMBER: 1 OF 1