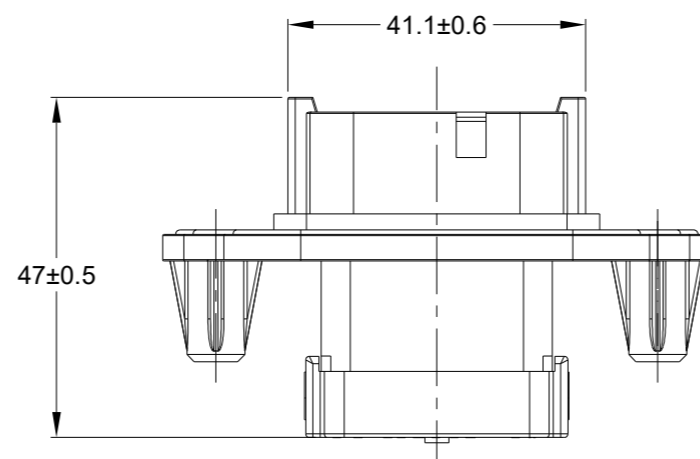
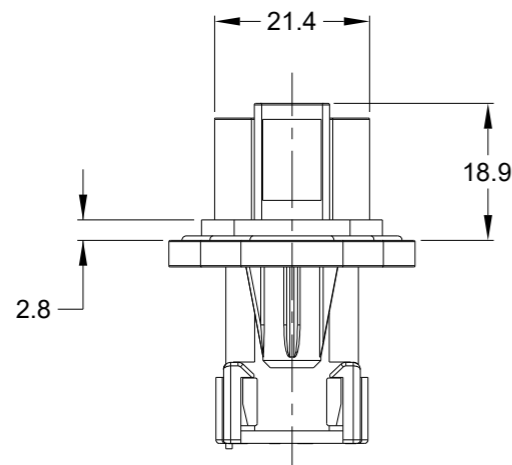
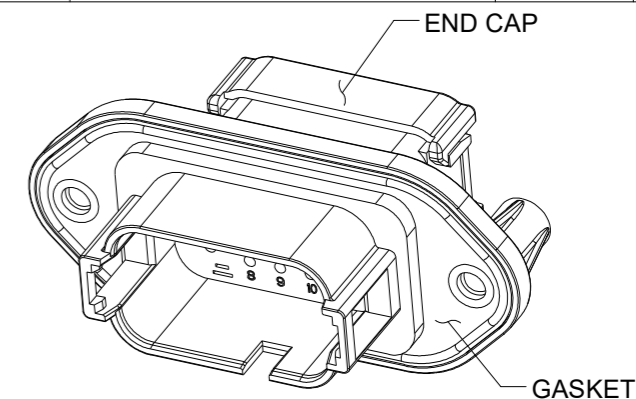
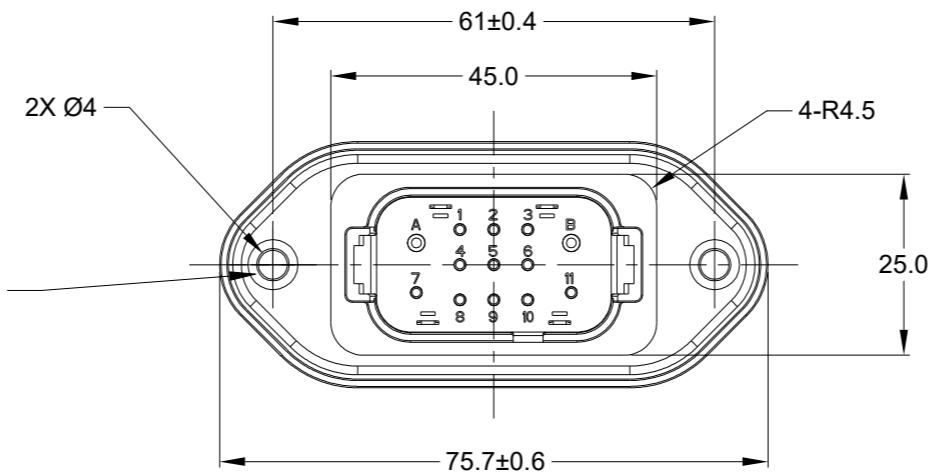


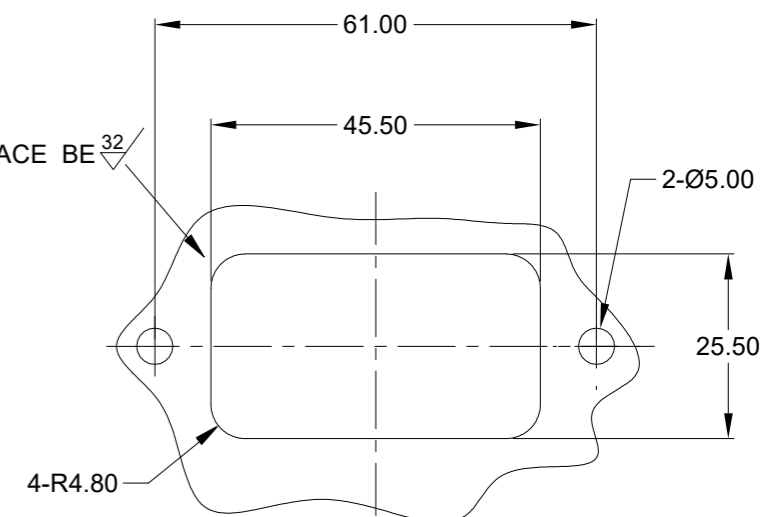
REVISIONS					
REV	ECO	DESCRIPTION	DATE	BY	APPR
A3	-	RELEASE NEW DRAWING FORMAT	10/23/13	DRP	-
A4	-	ADD PANEL CUTOUTS VIEW	11/20/15	JARRY	TOMMY
A5	-	MODIFY TOLERANCE	11/10/22	IAN	TOMMY

WILL ACCEPT PLASTIC SELF  
THREAD SCREWS: EXAMPLE: ST4.8

RECOMMENDED TORQUE  
VALUES: 1.9-2.2 N.M

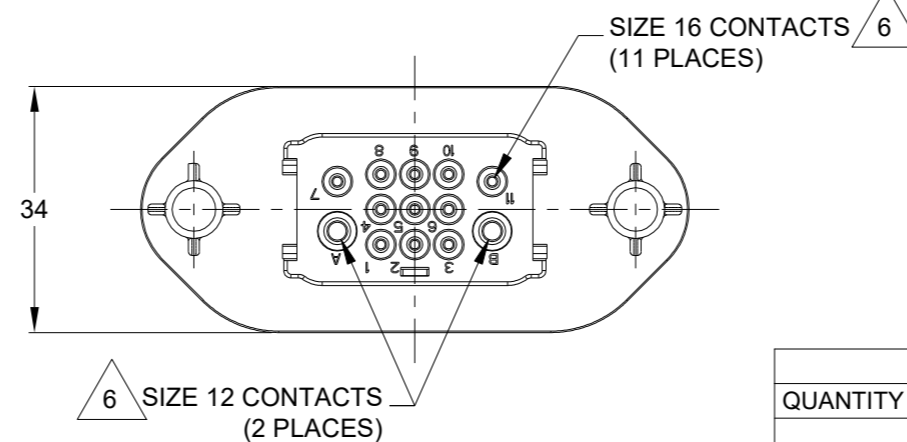


INTERNAL SEALING SURFACE BE <sup>32</sup>  
OR BETTER  $\square$  0.13



NOTES: UNLESS OTHERWISE SPECIFIED

- MATERIAL:  
HOUSING: THERMOPLASTIC; COLOR: BLACK  
SEAL: SILICONE RUBBER
- MODIFICATIONS: REDUCED DIAMETER WIRE SEAL;  
END CAP
- SPECIFICATIONS:  
3.1 CURRENT RATING: SEE NOTE 6  
3.2 OPERATING TEMPERATURE: -55°C TO +125°C  
3.3 DIELECTRIC WITHSTANDING VOLTAGE: LESS THAN 2  
MILLIAMPS CURRENT LEAKAGE @ 1500 VOLTS AC.  
3.4 INSULATION RESISTANCE: 1000 MEGOHMS MIN @ 25°C.  
3.5 MOISTURE RESISTANCE: IP67 ( MATED CONDITION )  
3.6 MATING CYCLE DURABILITY: 100 CYCLES  
3.7 RoHS COMPLIANT
- MATING PART: AT1612-13SB\* PLUG  
(\* = MODIFICATIONS)
- ALL DIMENSIONS ARE FOR REFERENCE USE ONLY.



CONTACT SIZE AND REAR SEAL WIRE RANGE:

CONTACT SIZE	MIN. INSUL O.D.	MAX. INSUL O.D.	TYPICAL WIRE RANGE	CURRENT RATING
16	1.35 mm (.053 in)	3.05 mm (.120 in)	14-20 AWG	13 AMPS
12	2.46 mm (.097 in)	4.01 mm (.158 in)	12-14 AWG	25 AMPS

AT1612-13PB-RDG			
QUANTITY	PART NUMBER	DESCRIPTION	ITEM
MATERIALS LIST			
UNLESS OTHERWISE SPECIFIED		SIGNATURES	
1) All dimensions are in metric (mm).		DRAWN: IAN 11/10/22	
2) Tolerances are as follows:		CHECKED: SULLEN 11/10/22	
1 PL DEC ±0.30		ENGINEER:	
2 PL DEC ±0.15		APPROVAL: TOMMY 11/11/22	
3 PL DEC ±0.08		CUSTOMER:	
3) Note reference = $\triangle$		THIS DRAWING IS SUPPLIED FOR INFORMATION ONLY. DESIGN FEATURES, SPECIFICATIONS AND PERFORMANCE DATA SHOWN HEREON ARE THE PROPERTY OF THE AMPHENOL CORPORATION. NO RIGHTS OF REPRODUCTION ARE IMPLIED. ALL DIMENSIONS ARE SUBJECT TO NORMAL MANUFACTURING VARIATIONS.	
MATERIAL SPECIFICATIONS:		SIZE	
PROCESS SPECIFICATIONS:		TYPE	
NEXT ASSY:		DWG NO:	
		SCALE: NONE	
		SHEET 1 OF 1	

# Amphenol

Sine Systems - www.amphenol-sine.com  
44724 Morley Drive  
Clinton Township, MI 48036

AT SERIES, 13 PIN RECEPTACLE W/FLANGE  
GASKET & REDUCED DIAMETER SEAL

SIZE	TYPE	DWG NO:	REVISION
B	C-	AT1612-13PB-RDG	A5

TITLE: AT13 PIN RECEPT. W/ FLANGE, GASKET & REDUCED DIA SEAL  
DWG NO: AT1612-13PB-RDG  
REV: A5  
SH: 1  
OF: 1