

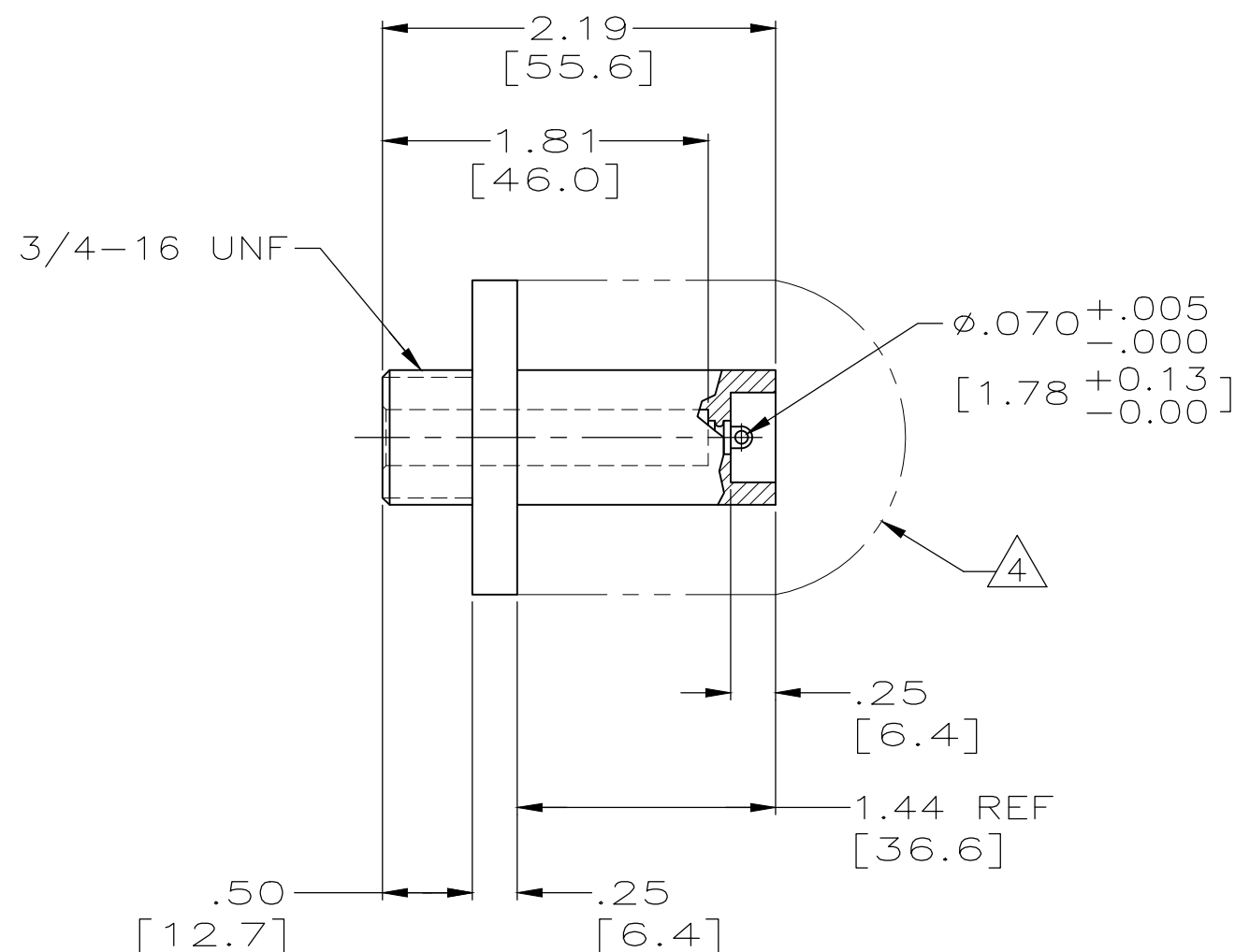
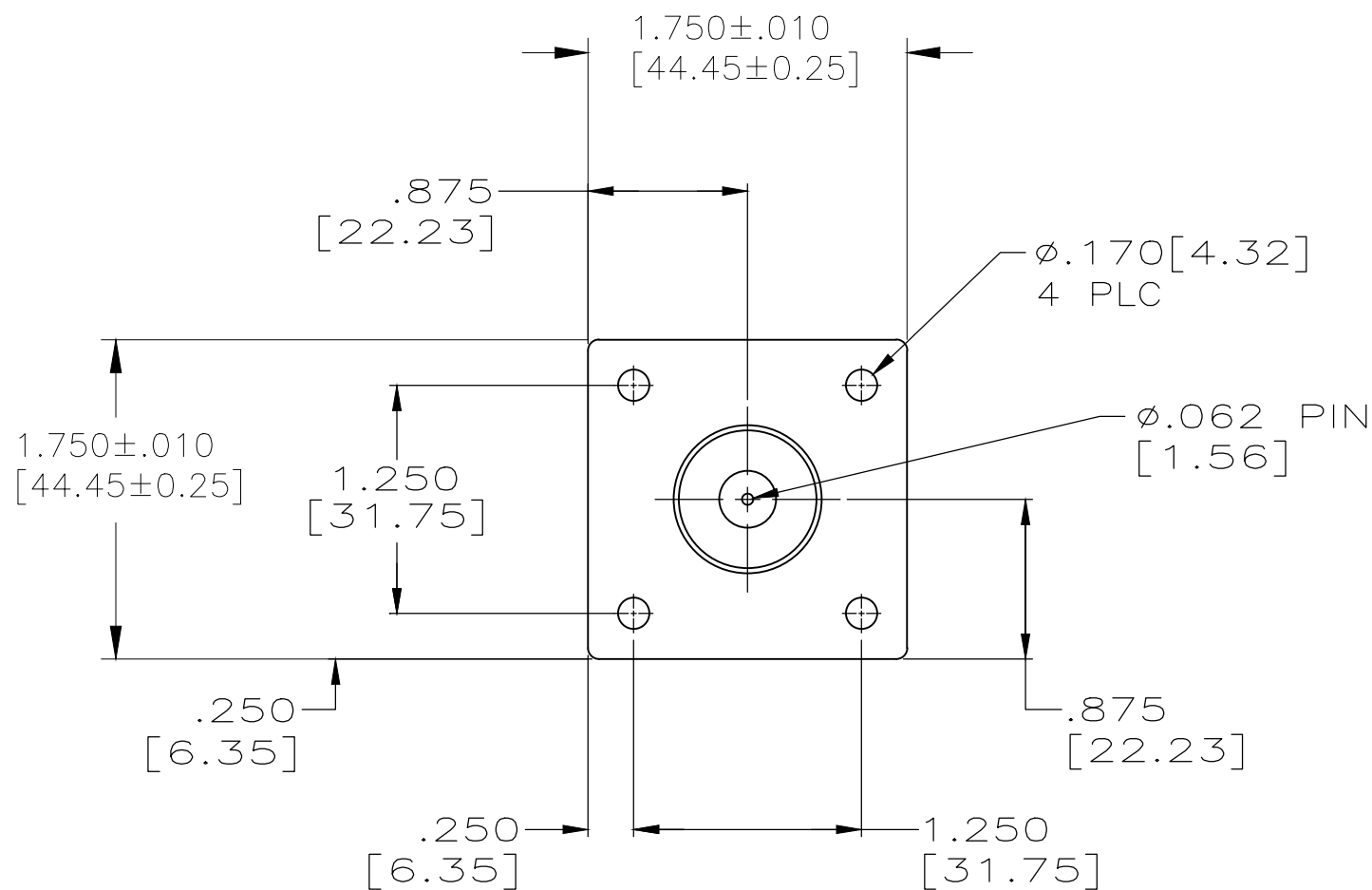
THIS DRAWING IS UNPUBLISHED. RELEASED FOR PUBLICATION - .N/A .

© COPYRIGHT N/A TE Connectivity

ALL RIGHTS RESERVED.

REVISIONS

P	LTR	DESCRIPTION	DATE	DWN	APVD
	K	REV PER ECO 18-016162	12-19-18	CT	DM



- ① PLATED 93/7 TIN-LEAD .0001[0.0025] MIN THK OR TIN PER ASTM-B-545 .0001[0.0025] MIN THK.
- ② GOLD PLATED .000030[0.00076] MIN THK PER ASTM-B-488, TYPE II.
- 3. RECEPTACLE TO MATE WITH AMP LGH-3 LEAD ASSEMBLY.
- ④ CUSTOMER TO PROTECT BACK END AGAINST ARC OVER & BREAKDOWN.
- ⑤ PLATED TIN PER ASTM-B-545, TYPE I OR II, .0001[0.0025] MIN THK.

	⑤	5-850911-1
OBSOLETE	②	850911-2
	①	850911-1
PIN PLATING		PART NUMBER

THIS DRAWING IS A CONTROLLED DOCUMENT.		DWN C.C.THOMAS 20-OCT-98	<b>STE</b> TE Connectivity	
		CHK D. EABY 20-OCT-98		
DIMENSIONS: INCHES		APVD D. EABY 20-OCT-98	NAME BULKHEAD RECEPTACLE ASSEMBLY LGH-3	
TOLERANCES UNLESS OTHERWISE SPECIFIED:		PRODUCT SPEC	SIZE CAGE CODE DRAWING NO RESTRICTED TO	
0 PLC ± -		APPLICATION SPEC	A3 00779 C-850911	
1 PLC ± -		WEIGHT 0.000000	SCALE 1:1 SHEET 1 OF 1 REV K	
2 PLC ± .02[0.5]		CUSTOMER DRAWING		
3 PLC ± .005[0.13]				
4 PLC ± -				
ANGLES ± -				
MATERIAL MOLDED GLASS EPOXY COLOR: BLACK		FINISH -		