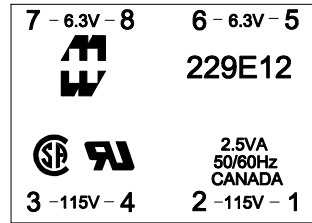
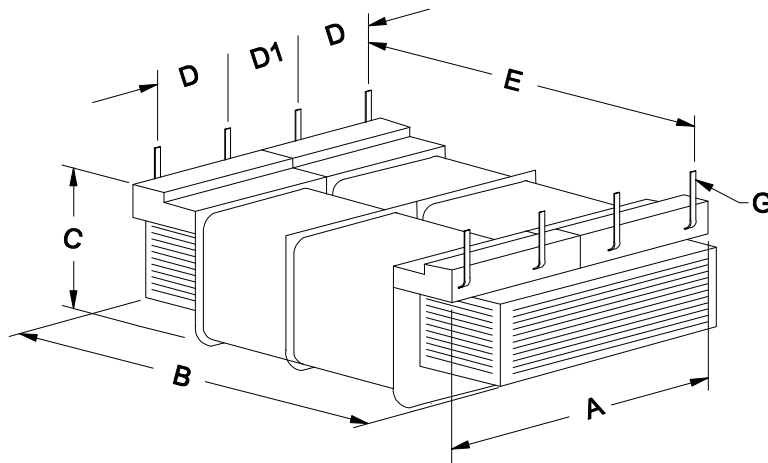
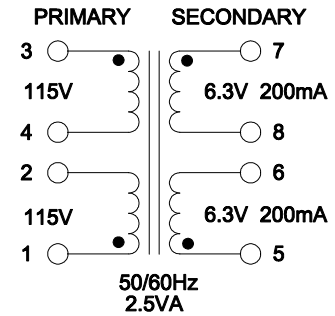
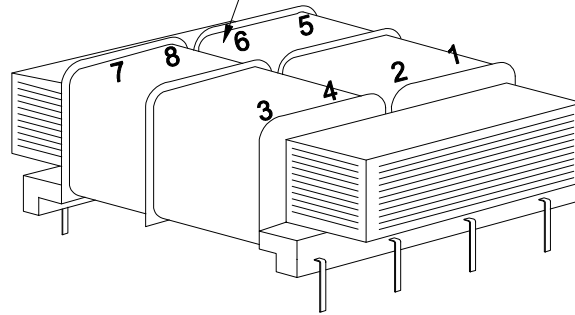


| DIMENSIONS: | |
|-------------|-----------------------|
| A | 1.560" ±0.063 |
| B | 1.875" ±0.063 |
| C | 0.650" ±0.063 |
| D | 0.380" ±0.030 |
| D1 | 0.380" ±0.030 |
| E | 1.600" ±0.030 |
| G | 0.018" X .041" ±0.005 |



STAMPED INFORMATION
ON TOP OF THE UNIT.
(BLACK INK)



| ELECTRICAL DATA: | | |
|------------------|------------------------------|---------------------|
| TESTS | CONDITIONS | ACCEPTANCE CRITERIA |
| Iex | @ 115V, 60Hz, PIN 1 - PIN 2 | 22.56mA Max. |
| Sec. N.L.V | @ 115V, 400Hz, PIN 1 - PIN 2 | |
| | PIN 5 - PIN 6 = | 8.992V ±2% |
| | @ 115V, 400Hz, PIN 3 - PIN 4 | |
| DCR | PIN 7 - PIN 8 = | 8.992V ±2% |
| | @ 20°C, PIN 1 - PIN 2 = | 985.0 Ω ±20% |
| | @ 20°C, PIN 3 - PIN 4 = | 985.0 Ω ±20% |
| | @ 20°C, PIN 5 - PIN 6 = | 5.600 Ω ±20% |
| | @ 20°C, PIN 7 - PIN 8 = | 5.600 Ω ±20% |
| HIPOT | PRIMARY - SECONDARY | 1500V, 60Hz, 1 SEC |

| REV.# | REVISION | DATE | HAMMOND MANUFACTURING™ | | ELECTRONIC DIVISION | |
|-------|-----------|---------------|--|-------------------------|---|-----------------|
| 0 | RELEASED. | C.I. 01/03/23 | 52 RANKIN PLACE, WATERLOO, ONTARIO, N2J 3Z5 | | PH # (519) 886-6181 FAX # (519) 886-9540 | |
| | | | DWG. BY: C. ILIE | CHK'D BY: | TITLE: POWER TRANSFORMER | DWG. NO. 229E12 |
| | | | DATE: 01/03/23 | APP'D. BY: | | |
| | | | | DIMENSIONS: IN(X) MM() | | |