



Tango 17

2G/GPRS & 3G Weather Resistant Antenna

Key Features

- 2dBi gain
- Quad band 2G and 3G compatible
- Rugged and durable



General Description

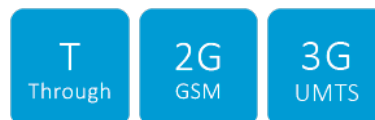
The Tango 17 is a solid built, 'bell-shaped' antenna, tuned to cellular quad band 2G and 3G operating frequencies.

The antenna radome is made from thick ABS, ideal as an anti vandal design and can be mounted securely inside or outside, with its large M20 screw thread and rubber seal gasket.

Typical applications are: car park and utility metering, traffic monitoring and many other IoT applications that require a tough, rugged solution.

Additional Considerations

- Rugged and durable
- Through hole mount





Tango 17

2G/GPRS & 3G Weather Resistant Antenna

Electrical Specifications

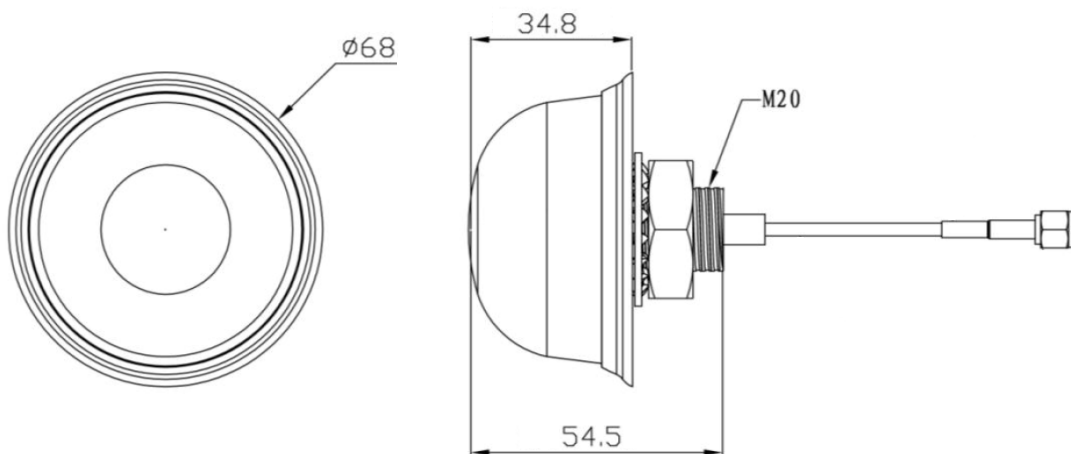
Frequency Range:	824 ~ 960MHz 1710 ~ 2170MHz
VSWR:	<2.0
Polarization:	Linear
Gain:	2.0dBi (Zenith)
Impedance:	50 Ohm

Mechanical Specifications

Dimensions:	H35 x 68mm Ø
Cable:	RG174
Connector:	SMA Male
Material:	ABS
Mounting Method:	Screw
Max Material Thickness:	6mm

Environmental Specifications

Operating Temperature:	-40 - +85°C
Relative Humidity:	Up to 95%

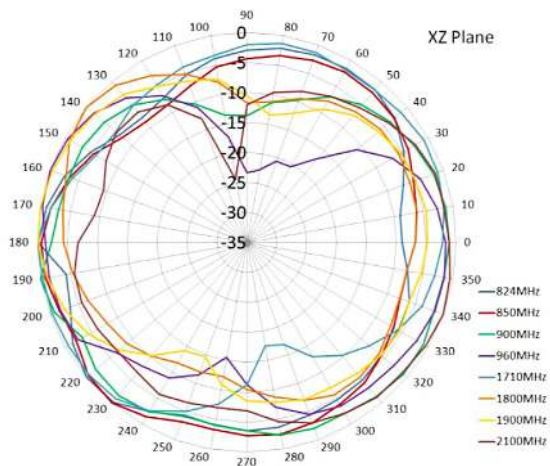
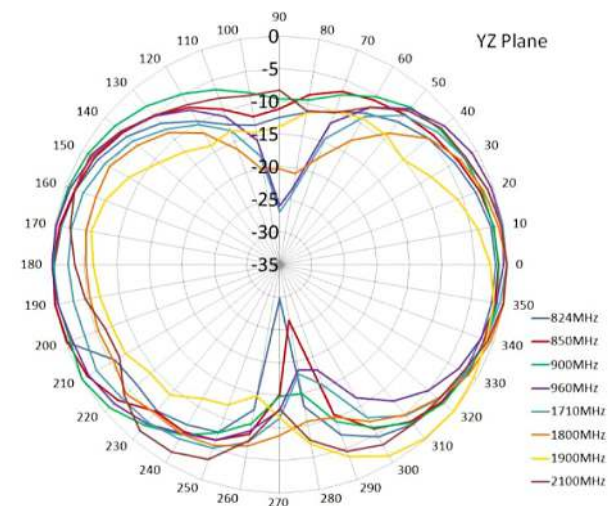
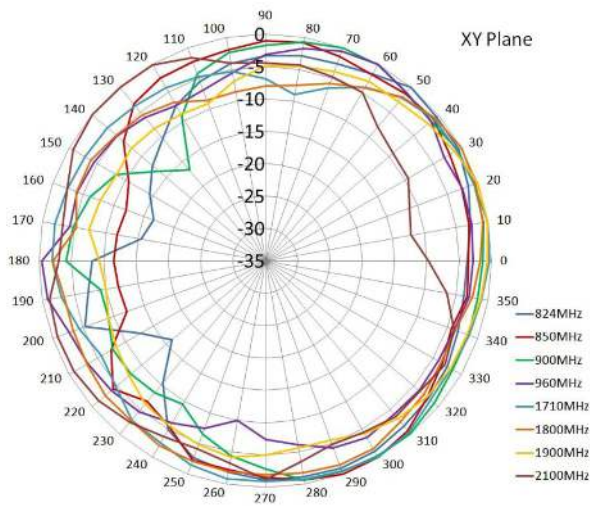




Tango 17

2G/GPRS & 3G Weather Resistant Antenna

Radiation Patterns



Ordering Details

Part number	Description
TANGO17/1M/LL/SMAM/S/S/26	2G/GPRS & 3G Weather Resistant Antenna SMA Male 1m Cable
TANGO17/2M/SMAM/S/S/26	2G/GPRS & 3G Weather Resistant Antenna SMA Male 2m Cable
TANGO17/3M/SMAM/S/S/26	2G/GPRS & 3G Weather Resistant Antenna SMA Male 3m Cable
TANGO17/5M//SMAM/S/S/26	2G/GPRS & 3G Weather Resistant Antenna SMA Male 5m Cable