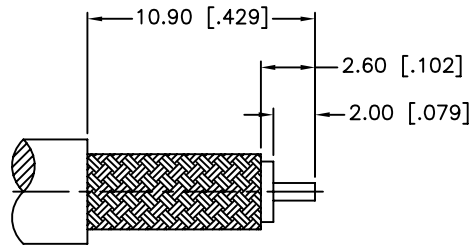
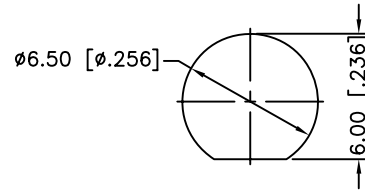


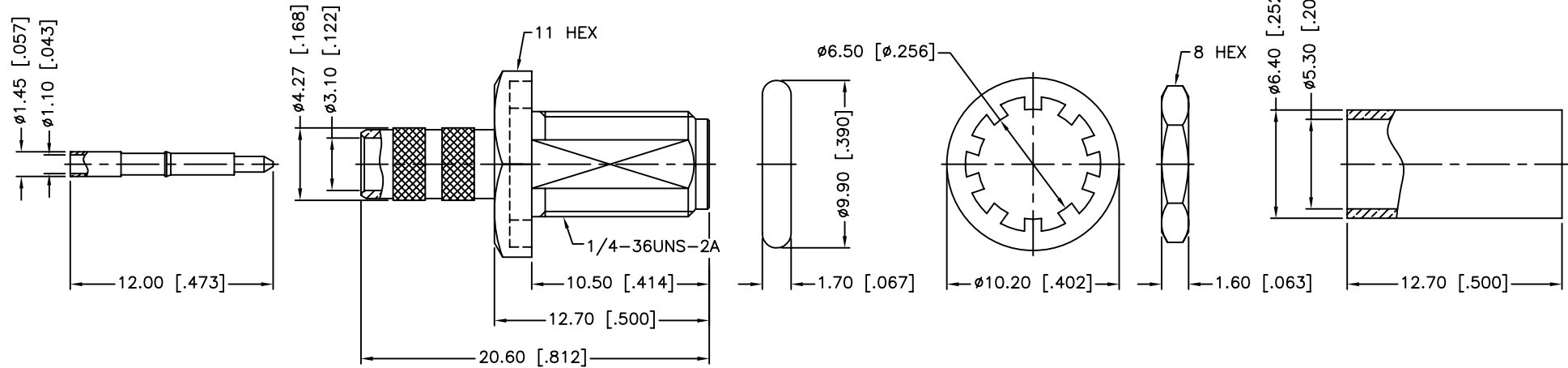
REV.	DATE	ECR NO.	DESCRIPTION
NC	06/16/09	XXXXXX	INITIAL RELEASE



RECOMMENDED
CABLE STRIPPING DIM'S



RECOMMENDED
MOUNTING HOLE



1. CRIMPED FERRULE
HEX CRIMP SIZE .213"
2. CONTACT PIN TO SOLDER
3. MAX. PANEL THICKNESS=2.4mm

QTY	FINISH	MATERIAL	DESCRIPTION
1	GOLD	BRASS	FERRULE
1	GOLD	BRASS	CONTACT PIN
1	GOLD	BRASS	HEX NUT
1	GOLD	BRASS	LOCK WASHER
1	RED	SILICONE	GASKET
1	GOLD	BRASS	RING
1	NATURAL	PTFE	INSULATOR
1	GOLD	BRASS	BODY
QTY	FINISH	MATERIAL	DESCRIPTION

UNLESS OTHERWISE SPECIFIED DIMENSIONS ARE IN MILLIMETERS. DIMENSIONS IN [] ARE IN INCHES AND FOR CUSTOMER REFERENCE ONLY.

UNLESS OTHERWISE SPECIFIED TOLERANCES FOR MILLIMETERS ARE:
0.5 - 8mm ± 0.20mm
8 - 30mm ± 0.40mm
30 - 120mm ± 0.50mm

UNLESS OTHERWISE SPECIFIED TOLERANCES FOR INCHES ARE:
.020 - .315 = ± 0.007"
.315 - 1.180 = ± 0.015"
1.180 - 4.724 = ± 0.020"

DO NOT SCALE DRAWING

APPROVALS	DATE
DRAWN M.ZHANG	06/16/09
CHECKED	
ISSUED	
SHEET 1 OF 1	
CAD FILE C:/CONNEX/132280RP.DWG	

Amphenol Connex

PART DESCRIPTION
SMA BULKHEAD CRIMP JACK (FOR RG-58C/U, 58/U)
PART NO.
132280RP
DWG. NO.
132280RP.DWG
REV.
NC
SIZE
A
SCALE
NA