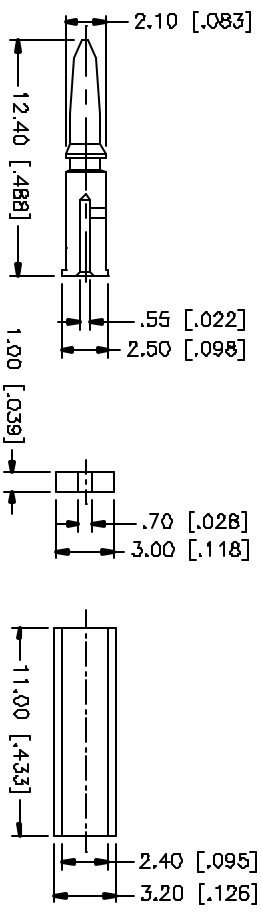
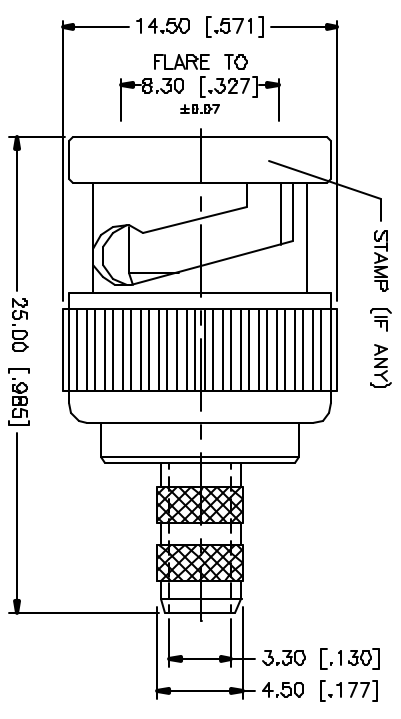
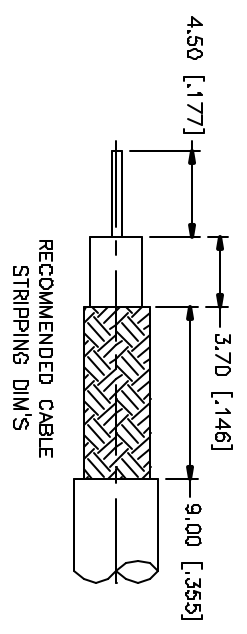
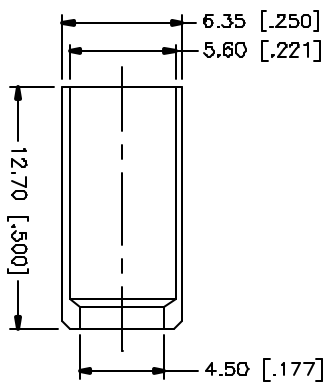


REV.	DATE	DESCRIPTION
A	09/02/04	MODIFY BARREL, FERRULE / ADD SLEEVE, INSULATOR



- CRIMP NOTES:
1. CRIMPED FERRULE HEX CRIMP SIZE .213"
 2. CONTACT PIN TO SOLDER OR HEX CRIMP SIZE .068"



6																									
7																									
8	FERRULE	BRASS	NICKEL	1																					
5	SLEEVE	BRASS	NICKEL	1																					
4	INSULATOR	TEFLON	NATURAL	1																					
3	CONTACT PIN	BRASS	GOLD	1																					
2	INSULATOR	TEFLON	NATURAL	1																					
1	BODY	BRASS	NICKEL	1																					
DESCRIPTION		MATERIAL		FINISH		QTY		UNLESS OTHERWISE SPECIFIED DIMENSIONS ARE IN MILLIMETERS, DIMENSIONS IN [] ARE IN INCHES AND NOT DECIMAL INCHES ONLY. TOLERANCES FOR MILLIMETERS ARE: 0.5 - 30mm ± 0.20mm 30 - 120mm ± 0.30mm UNLESS OTHERWISE SPECIFIED DIMENSIONS FOR INCHES ARE: .020 - .318 ± 0.007" .318 - 1.180 ± 0.015" 1.180 - 4.724 ± 0.020"		CAD FILE		APPROVALS		DATE		PART DESCRIPTION		DWG NO.		REV.		SIZE		SCALE	
						DO NOT SCALE DRAWING		C:/112/112721.DWG		G.R.S.		09/02/04		BNC CRIMP PLUG (FOR 26AWG MOGO MI CABLE)		112721		A		A		NA			

Amphenol Connex