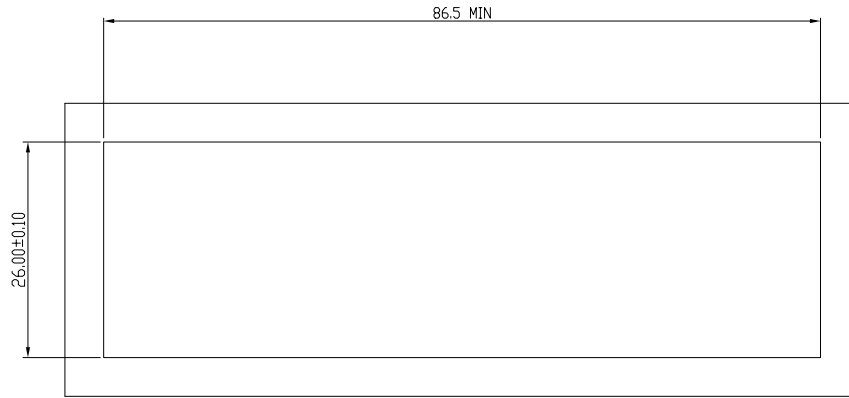
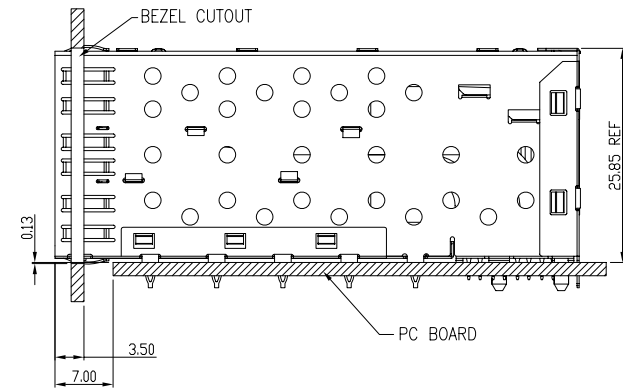


Qty Per:	TRAY	CARTON		
	3	18		
PART NUMBER	STATEMENT			
SFP0-3010-L	INNER/OUTER LIGHT PIPES			
	INNER LIGHT PIPES			
	OUTER LIGHT PIPES			
No.	DESCRIPTION	Q'ty	MATERIAL	PLATING
01	SFP CAGE (Non-Logo)	1	COPPER ALLOY	
02	CONNECTOR	6	HIGH TEMP/COPPER ALLOY	GOLD
03	LIGHT PIPES	6	POLYCARBONITE	

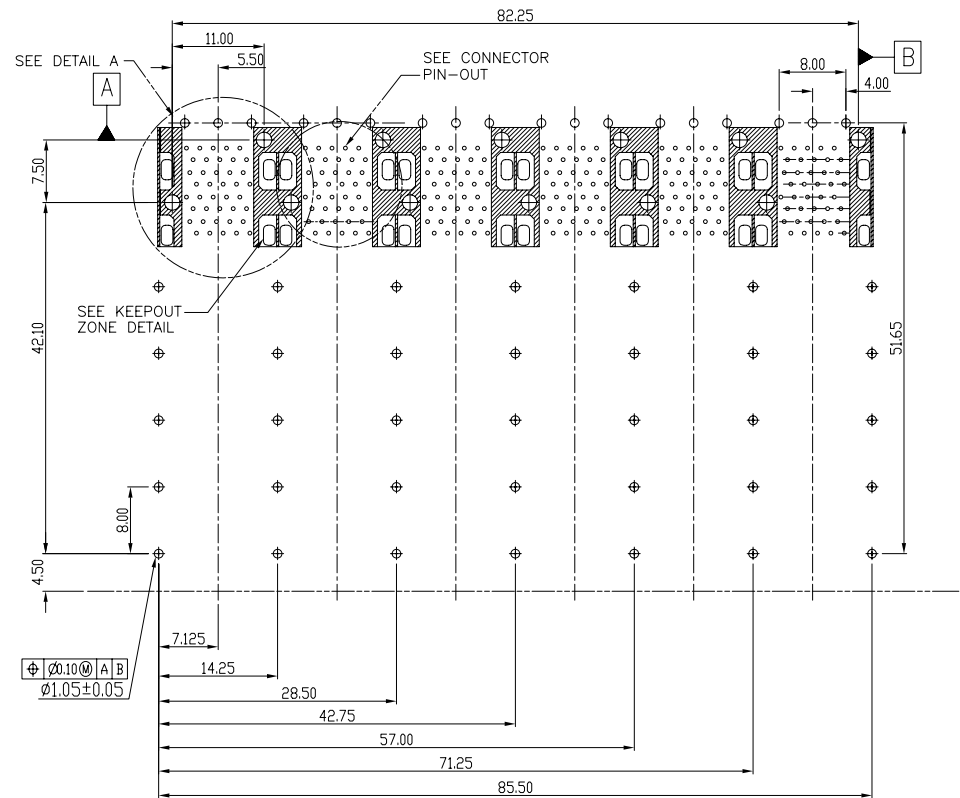
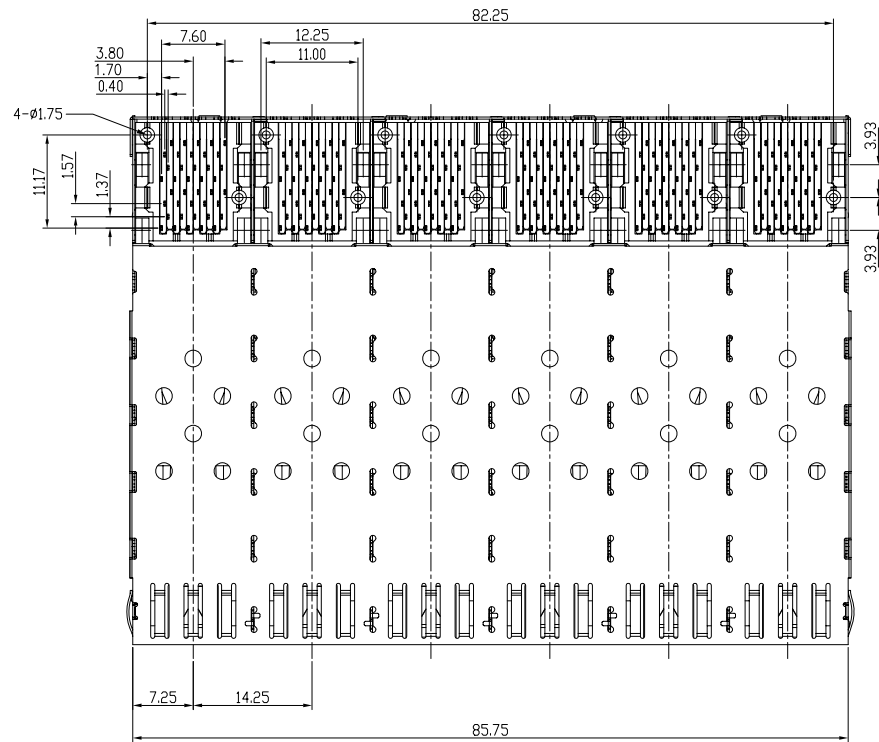
DETACHED LISTS	MM (INCH)	<b>RoHS Compliant</b>			
	TOLERANCES EXCEPT AS NOTED	TITLE			
	MM .0 ± 0.25 ± .00 ± 0.20 ± .000 ± 0.10 ±	W/LIGHT PIPES			
	ANGLES ± 0.5	SFP 2 BY 6 CAGE+CONNECTOR_P			
	THIRD ANGLE PROJECTION	DFTD Jack	DRAWING NO. CSFP0-3010-L	SIZE	REV
		DATE 3/10/09	/PART NO. SFP0-3010-L	A3	0
		SCALE : 2:1	DO NOT SCALE DRAWING	SHEET 1	OF 4



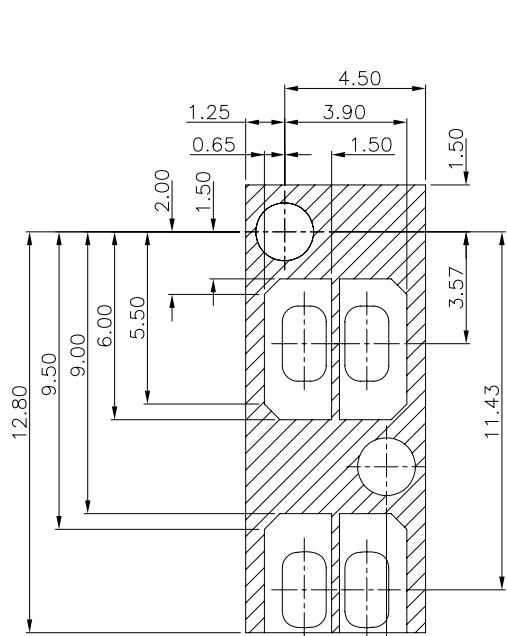
BEZEL CUT-OUT CENTER SPACING DETAIL  
 BEZEL THICKNESS:0.8-2.6



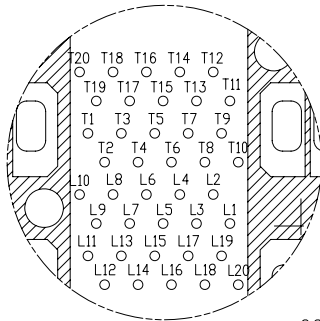
DETACHED LISTS	← MM (INCH) → TOLERANCES EXCEPT AS NOTED		<b>RoHS Compliant</b>			
	MM .0 ± 0.25 ± .00 ± 0.20 ± .000 ± 0.10 ±		TITLE W/LIGHT PIPES SFP 2 BY 6 CAGE+CONNECTOR_P			
	ANGLES ± 0.5		DFTD Jack DATE 3/10/09		DRAWING NO. CSFP0-3010-L /PART NO. SFP0-3010-L	
	 THIRD ANGLE PROJECTION		SCALE : 2:1		DO NOT SCALE DRAWING	
				SIZE A3	REV 0	SHEET 2 OF 4



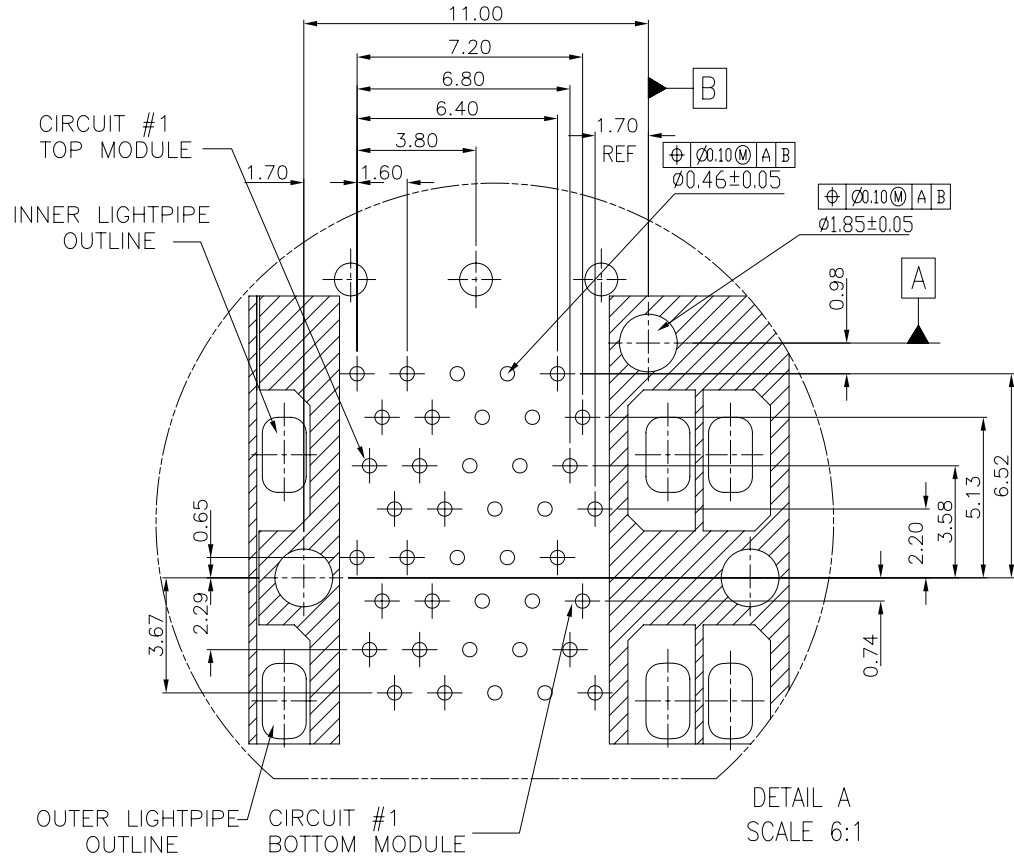
DETACHED LISTS	MM (INCH)	<b>RoHS Compliant</b>		TITLE		W/LIGHT PIPES
	TOLERANCES EXCEPT AS NOTED			SFP 2 BY 6 CAGE+CONNECTOR_P		
	MM	±	DRAWING NO. CSFP0-3010-L		SIZE	REV
	.0 ± 0.25	±	DATE 3/10/09		A3	0
.00 ± 0.20	±	/PART NO. SFPO-3010-L				
.000 ± 0.10	±	SCALE : 2:1				
ANGLES ± 0.5		DO NOT SCALE DRAWING		SHEET 3 OF 4		
THIRD ANGLE PROJECTION						



KEEPOUT ZONE DETAIL  
SCALE 6:1



CONNECTOR PIN-OUT  
COMPONENT SIDE OF BOARD



DETAIL A  
SCALE 6:1

← MM (INCH) → TOLERANCES EXCEPT AS NOTED		<b>RoHS Compliant</b>			
DETACHED LISTS MM .0 ± 0.25 ± .00 ± 0.20 ± .000 ± 0.10 ± ANGLES ± 0.5		TITLE SFP 2 BY 6 CAGE+CONNECTOR_P		W/LIGHT PIPES	
THIRD ANGLE PROJECTION		DFTD Jack DATE 3/10/09		DRAWING NO. CSFP0-3010-L /PART NO. SFPO-3010-L	
SCALE : 2:1		DO NOT SCALE DRAWING		SIZE A3	REV 0
				SHEET 4 OF 4	

8

7

6

5

4

3

2

1

H  
G  
F  
E  
D  
C  
B  
A