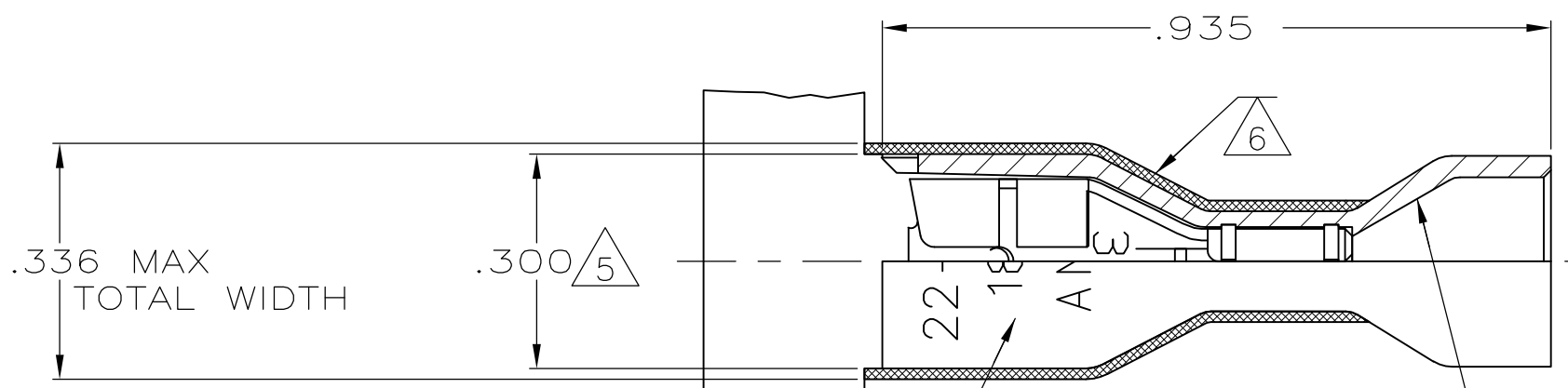
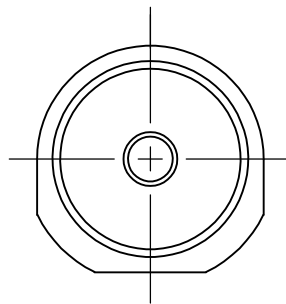
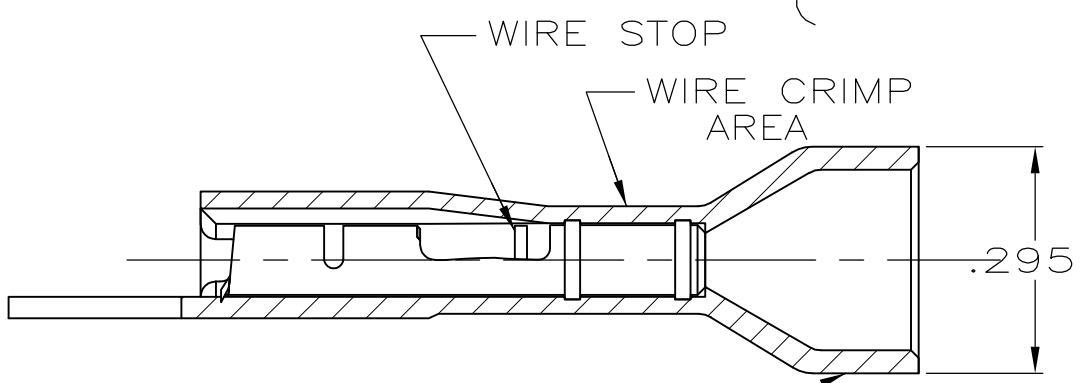
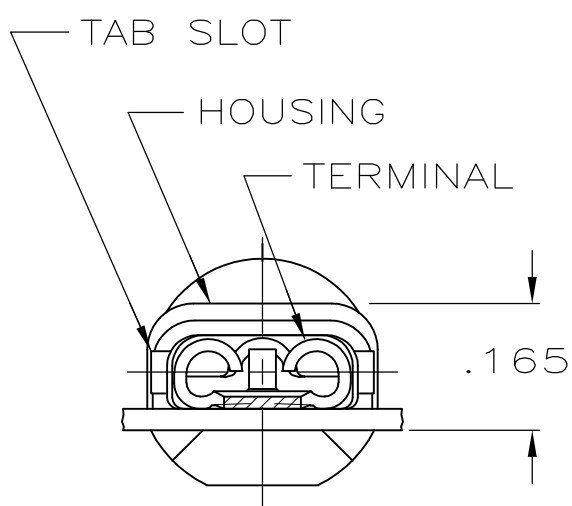


THIS DRAWING IS UNPUBLISHED. RELEASED FOR PUBLICATION
 © COPYRIGHT - By - ALL RIGHTS RESERVED.

LOC	DIST	REVISIONS					
		P	LTR	DESCRIPTION	DATE	DWN	APVD
AF	50		M	REVISED PER ECR-13-004343	30JUL13	KH	KR



- 1 MATES WITH .032±.001x.187 TAB
- 2 WIRE STRIP LENGTH .281
- 3 INSULATION SIZE .230 MAX DIA
- 4 CONTINUOUS STRIP ON REELS
- 5 DIMENSION DOES NOT INCLUDE TRIM BURR
- 6 .015 MAX CARRIER TRIM BURR PER SIDE IS ALLOWABLE IN THE SHADED AREA



HOUSING: NYLON, COLOR-RED TRANSLUCENT RECEPTACLE: BRASS TIN	2-520274-2
MATERIAL & FINISH	PART NUMBER

THIS DRAWING IS A CONTROLLED DOCUMENT.		DWN P FORTNEY 11/7/88	TE Connectivity RECEPTACLE ASSY, ULTRA-FAST, .187 SERIES, 22-18 AWG	
DIMENSIONS: INCHES		CHK MS FEHER 11/9/88		
TOLERANCES UNLESS OTHERWISE SPECIFIED:		APVD K RANDOLPH 11/11/88		
MATERIAL: SEE TABLE		FINISH: SEE TABLE		
0 PLC ± - 1 PLC ± - 2 PLC ± - 3 PLC ± .015 4 PLC ± - ANGLES ± -		NAME	RESTRICTED TO	
		PRODUCT SPEC 108-2043	SIZE CAGE CODE DRAWING NO	
		APPLICATION SPEC 114-2123	A3 00779 C-520274	
		WEIGHT -	SCALE 4:1 SHEET 1 OF 1 REV M	
		CUSTOMER DRAWING		