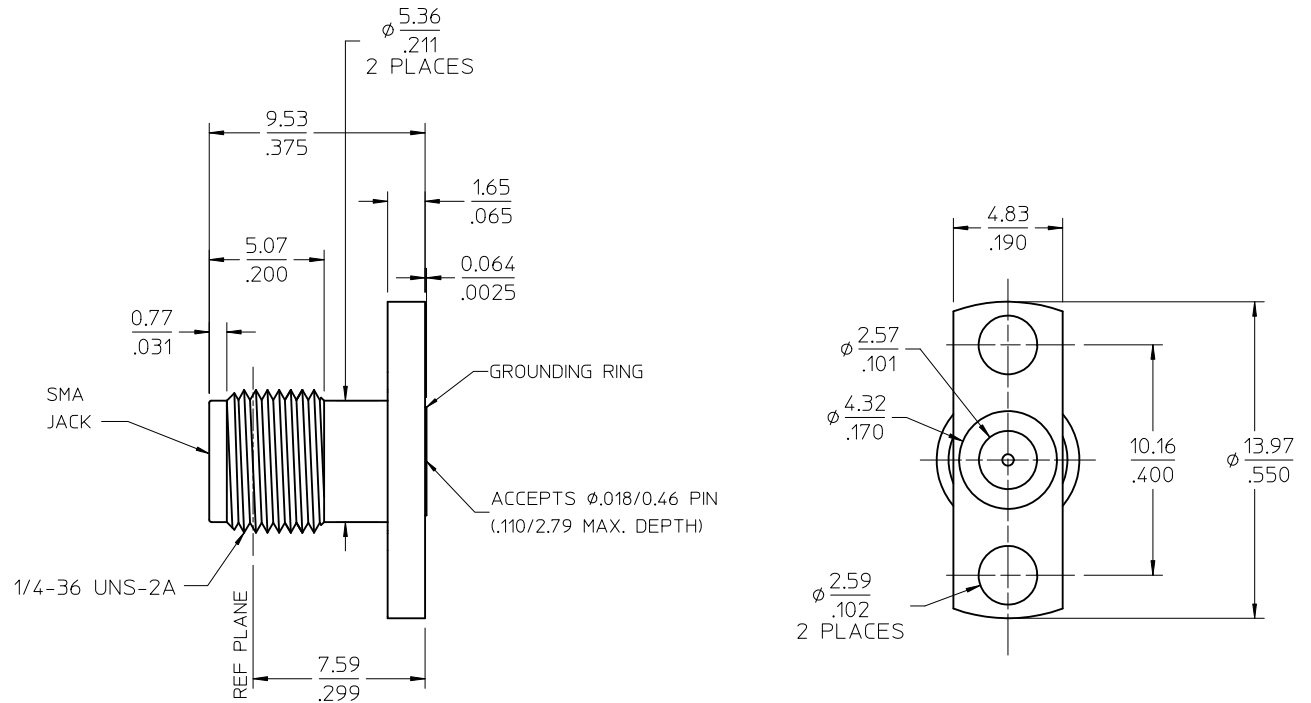


MATERIALS AND FINISHES:
 BODY STAINLESS STEEL
 PASSIVATED

CENTER CONTACT BERYLLIUM COPPER
 PLATED GOLD

INSULATOR TEFLON



PART # 73251-0980

MIL-STD-348, FIGURE 310-2	INTERFACE
PS-89675-2910	ELECTRO/MECH PERFORMANCE
SPECIFICATION	DESCRIPTION

CHG: ADD DIMENSIONS UPDATE FRAME EC NO: URF2012-0303 DRWN: WIENER 2011/11/29 CHKD: SSS 2011/11/29 APPR: WIENER 2011/11/30	QUALITY SYMBOLS ▽=0 ▽=0	GENERAL TOLERANCES (UNLESS SPECIFIED)		DIMENSION STYLE	SCALE	DESIGN UNITS	THIRD ANGLE PROJECTION	
				IN/MM				
				DRAWN BY	DATE	TITLE		
				CHECKED BY	DATE	SMA JACK RECPT 2 H FLNG ACCEPTS .018 PIN		
		ANGULAR ±1/2°		APPROVED BY	DATE	MOLEX INCORPORATED		
		DRAFT WHERE APPLICABLE MUST REMAIN WITHIN DIMENSIONS		MATERIAL NO.	DOCUMENT NO.	SHEET NO.		
				SEE TABLE	SD-73251-098	1 OF 1		
				THIS DRAWING CONTAINS INFORMATION THAT IS PROPRIETARY TO MOLEX INCORPORATED AND SHOULD NOT BE USED WITHOUT WRITTEN PERMISSION				