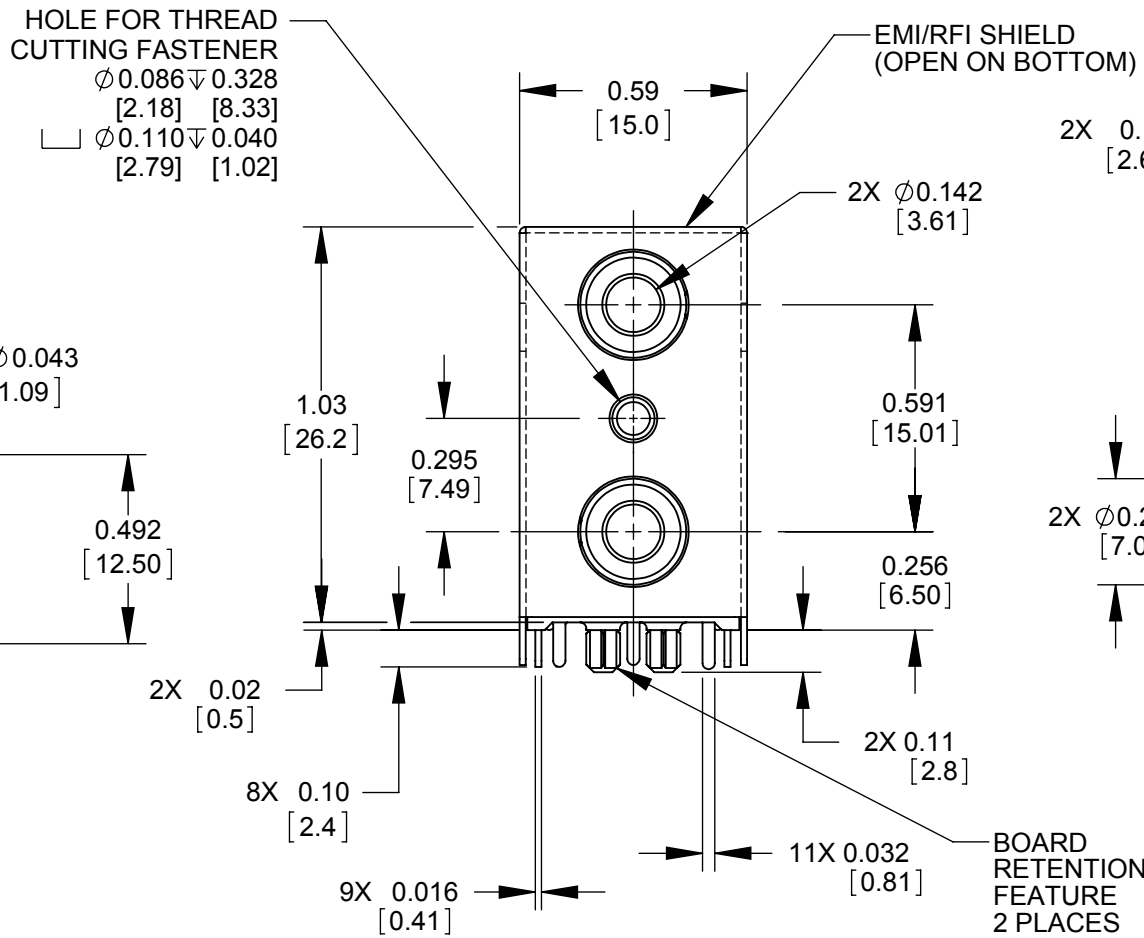
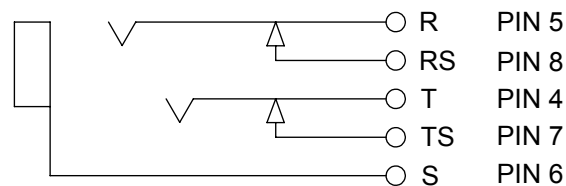


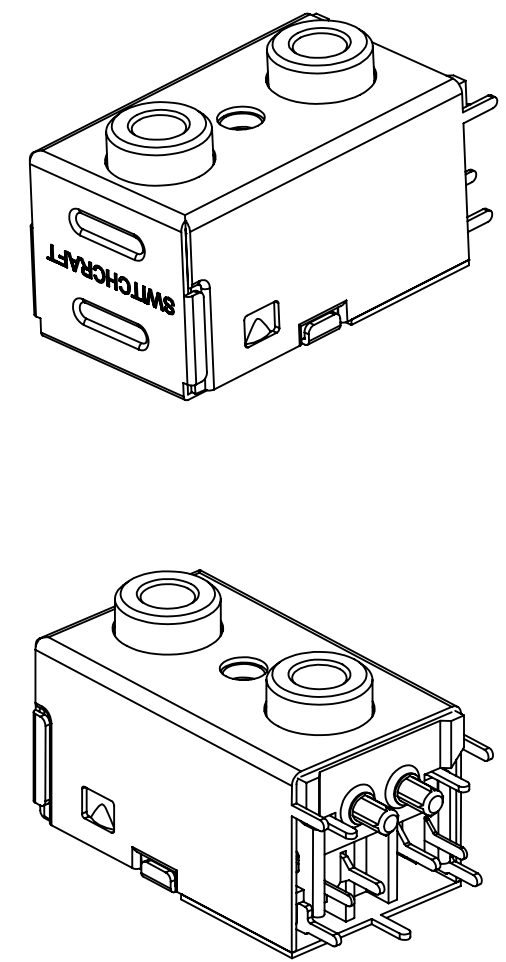
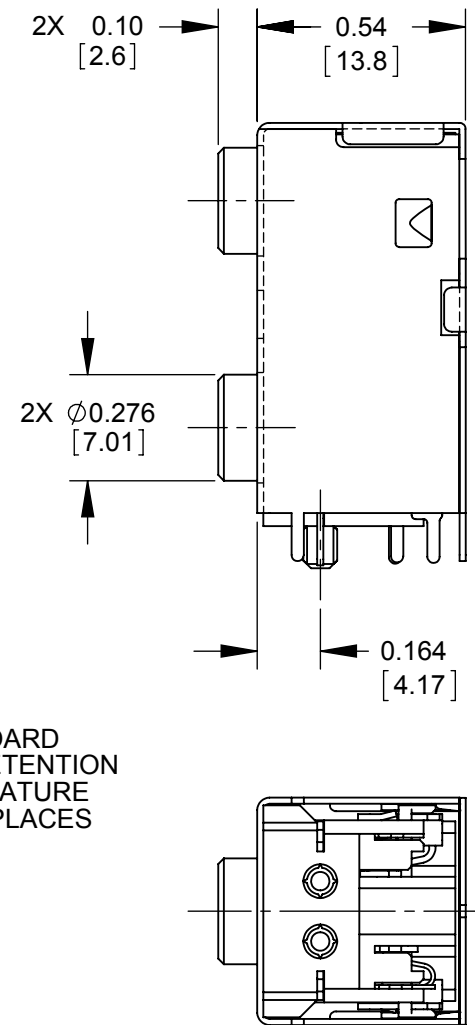
**RECOMMENDED PCB HOLE PATTERN  
COMPONENT SIDE  
A = P.C. HOLES FOR SHIELD**



**TOP JACK SCHEMATIC**



**BOTTOM JACK SCHEMATIC**



**PERFORMANCE SPECIFICATIONS:**

INSERTION/EXTRACTION FORCES: INITIAL 0.8 TO 6 POUNDS.  
 DIELECTRIC WITHSTANDING VOLTAGE: 500 VAC  
 INSULATION RESISTANCE: INITIAL 100 MEGOHMS MINIMUM  
 CONTACT RESISTANCE PLUG TO JACK: 50 MILLIOHMS MAXIMUM  
 CONTACT RESISTANCE SHUNTS TO SPRINGS: 30 MILLIOHMS MAXIMUM  
 MECHANICAL LIFE: 5000 CYCLES MINIMUM

**MATERIALS:**

SPRINGS AND TERMINALS: SILVER PLATED COPPER ALLOY  
 HOUSING: LCP  
 SHIELD: COPPER ALLOY, TIN PLATED

**NOTES:**

1. THIS PRODUCT IS RoHS COMPLIANT.
2. ALL DIMENSIONS REFERENCE ONLY.

**CUSTOMER DRAWING**

REV	ECO NUMBER	DATE	BY	APVD
P	27662 REDRAWN	3-8-16	TO	TJK
REVISIONS				

UNLESS OTHERWISE SPECIFIED  
 1. ALL DIMENSIONS IN INCHES  
 - TWO PLACE DECIMALS ±0.02  
 - THREE PLACE DECIMALS ±0.005

**DO NOT SCALE DRAWING**

THIS DRAWING DESCRIBES A DESIGN CONSIDERED PROPRIETARY IN NATURE, DEVELOPED AND MANUFACTURED BY SWITCHCRAFT INC. AND IS RELEASED ON A CONFIDENTIAL BASIS FOR IDENTIFICATION PURPOSES ONLY.									
SIZE	WIDTH	MULT	LBS/M	TEMPER					
FINISH					MATERIAL				
SPEC No.					SPEC No.				
FIRST USED ON					SCALE 2:1				
DATE DRAWN	BY	CHKD	APVD						
9-8-93	SG	EBR	IAC						
			9-14-93	9-14-93					
NAME					PART No.				
3.5 MM DUAL JACK, RoHS					35RAPC7JS				
					REV P				