

# TLE9877QTW40

**Microcontroller with LIN and BLDC MOSFET Driver for Automotive Applications**

**BF-step**

**Extended operating temperature range (grade 0)**



## Features

- 32-bit Arm®\* Cortex®-M3 core
- 64 KB flash
- 6 KB RAM
- On-chip OSC and PLL for clock generation
- MOSFET driver including charge pump
- 1 LIN 2.2 transceiver
- High-speed operational amplifier for motor current sensing via shunt
- Single power supply from 5.5 V to 27 V
- Temperature range  $T_j = -40^{\circ}\text{C}$  to  $+175^{\circ}\text{C}$



## Potential applications

- Wiper
- Aux. pumps
- Fans
- Window lift
- Sunroof
- Tailgate

## Product validation

Qualified for automotive applications. Product validation according to AEC-Q100/101.

## Description

Type	Package	Marking
TLE9877QTW40	TQFP-48-10	

\* Arm and Cortex are registered trademarks of Arm Limited, UK

## Table of contents

<b>1</b>	<b>Overview</b> .....	<b>6</b>
1.1	Abbreviations .....	8
<b>2</b>	<b>Block diagram</b> .....	<b>10</b>
<b>3</b>	<b>Device pinout and pin configuration</b> .....	<b>11</b>
3.1	Device pinout .....	11
3.2	Pin configuration .....	12
<b>4</b>	<b>Modes of operation</b> .....	<b>15</b>
<b>5</b>	<b>Power management unit (PMU)</b> .....	<b>18</b>
5.1	Features .....	18
5.2	Introduction .....	18
5.2.1	Block diagram .....	19
5.2.2	PMU modes overview .....	21
5.3	Power supply generation unit (PGU) .....	22
5.3.1	Voltage regulator 5.0 V (VDDP) .....	22
5.3.2	Voltage regulator 1.5 V (VDDC) .....	23
5.3.3	External voltage regulator 5.0 V (VDDEXT) .....	24
<b>6</b>	<b>System control unit – digital modules (SCU-DM)</b> .....	<b>25</b>
6.1	Features .....	25
6.2	Introduction .....	25
6.2.1	Block diagram .....	26
6.3	Clock generation unit .....	28
6.3.1	Low-precision clock .....	28
6.3.2	High-precision oscillator circuit (OSC_HP) .....	28
6.3.2.1	External input clock mode .....	29
6.3.2.2	External crystal mode .....	29
<b>7</b>	<b>System control unit – power modules (SCU-PM)</b> .....	<b>30</b>
7.1	Features .....	30
7.2	Introduction .....	30
7.2.1	Block diagram .....	30
<b>8</b>	<b>Arm® Cortex®-M3 core</b> .....	<b>32</b>
8.1	Features .....	32
8.2	Introduction .....	33
8.2.1	Block diagram .....	33
<b>9</b>	<b>DMA controller</b> .....	<b>34</b>
9.1	Features .....	34
9.2	Introduction .....	35
9.2.1	Block diagram .....	35
9.3	Functional description .....	36
9.3.1	DMA mode overview .....	36
<b>10</b>	<b>Address space organization</b> .....	<b>37</b>
<b>11</b>	<b>Memory control unit</b> .....	<b>38</b>
11.1	Features .....	38
11.2	Introduction .....	38

11.2.1	Block diagram .....	38
11.3	NVM module (flash memory) .....	40
<b>12</b>	<b>Interrupt system .....</b>	<b>41</b>
12.1	Features .....	41
12.2	Introduction .....	41
12.2.1	Overview .....	41
<b>13</b>	<b>Watchdog timer (WDT1) .....</b>	<b>43</b>
13.1	Features .....	43
13.2	Introduction .....	44
<b>14</b>	<b>GPIO ports and peripheral I/O .....</b>	<b>45</b>
14.1	Features .....	45
14.2	Introduction .....	45
14.2.1	Port 0 and port 1 .....	45
14.2.2	Port 2 .....	47
14.3	TLE9877QW40 port module .....	48
14.3.1	Port 0 .....	48
14.3.1.1	Port 0 functions .....	48
14.3.2	Port 1 .....	50
14.3.2.1	Port 1 functions .....	50
14.3.3	Port 2 .....	52
14.3.3.1	Port 2 functions .....	52
<b>15</b>	<b>General-purpose timer units (GPT12) .....</b>	<b>54</b>
15.1	Features .....	54
15.1.1	Features of block GPT1 .....	54
15.1.2	Features of block GPT2 .....	54
15.2	Introduction .....	55
15.2.1	Block diagram of GPT1 .....	56
15.2.2	Block diagram of GPT2 .....	57
<b>16</b>	<b>Timer2 and Timer21 .....</b>	<b>58</b>
16.1	Features .....	58
16.2	Introduction .....	58
16.2.1	Timer2 and Timer21 mode overview .....	58
<b>17</b>	<b>Timer3 .....</b>	<b>60</b>
17.1	Features .....	60
17.2	Introduction .....	60
17.3	Functional description .....	60
17.3.1	Timer3 modes overview .....	60
<b>18</b>	<b>Capture/compare unit 6 (CCU6) .....</b>	<b>62</b>
18.1	Feature set overview .....	62
18.2	Introduction .....	63
18.2.1	Block diagram .....	64
<b>19</b>	<b>UART1/UART2 .....</b>	<b>65</b>
19.1	Features .....	65
19.2	Introduction .....	65
19.2.1	Block diagram .....	65

19.3	UART modes .....	66
<b>20</b>	<b>LIN transceiver .....</b>	<b>67</b>
20.1	Features .....	67
20.2	Introduction .....	67
20.2.1	Block diagram .....	68
<b>21</b>	<b>High-speed synchronous serial interface (SSC1/SSC2) .....</b>	<b>69</b>
21.1	Features .....	69
21.2	Introduction .....	70
21.2.1	Block diagram .....	70
<b>22</b>	<b>Measurement unit .....</b>	<b>71</b>
22.1	Features .....	71
22.2	Introduction .....	71
22.2.1	Block diagram .....	72
22.2.1.1	BEMF comparator block diagram .....	73
<b>23</b>	<b>Core measurement module (incl. ADC2) .....</b>	<b>74</b>
23.1	Features .....	74
23.2	Introduction .....	74
23.2.1	Block diagram .....	74
23.2.2	Core measurement module mode overview .....	75
<b>24</b>	<b>10-bit analog-to-digital converter (ADC1) .....</b>	<b>76</b>
24.1	Features .....	76
24.2	Introduction .....	76
24.2.1	Block diagram .....	77
<b>25</b>	<b>High-voltage monitor input .....</b>	<b>78</b>
25.1	Features .....	78
25.2	Introduction .....	78
25.2.1	Block diagram .....	78
<b>26</b>	<b>Bridge driver (incl. charge pump) .....</b>	<b>79</b>
26.1	Features .....	79
26.2	Introduction .....	79
26.2.1	Block diagram .....	80
26.2.2	General .....	80
<b>27</b>	<b>Current sense amplifier .....</b>	<b>81</b>
27.1	Features .....	81
27.2	Introduction .....	81
27.2.1	Block diagram .....	82
<b>28</b>	<b>Application information .....</b>	<b>83</b>
28.1	BLDC driver .....	83
28.2	ESD immunity according to IEC61000-4-2 .....	85
<b>29</b>	<b>Electrical characteristics .....</b>	<b>86</b>
29.1	General characteristics .....	86
29.1.1	Absolute maximum ratings .....	86
29.1.2	Functional range .....	89
29.1.3	Current consumption .....	90

29.1.4	Thermal resistance .....	92
29.1.5	Timing characteristics .....	92
29.2	Power management unit (PMU) .....	93
29.2.1	PMU I/O supply (VDDP) parameters .....	93
29.2.2	PMU core supply (VDDC) parameters .....	95
29.2.3	VDDEXT voltage regulator (5.0 V) parameters .....	96
29.2.4	VPRE voltage regulator (PMU subblock) parameters .....	97
29.2.4.1	Load-sharing scenario for the VPRE regulator .....	97
29.2.5	Power-down voltage regulator (PMU subblock) parameters .....	98
29.3	System clocks .....	99
29.3.1	Parameters of oscillators and PLLs .....	99
29.3.2	External clock parameters XTAL1, XTAL2 .....	100
29.4	Flash memory .....	101
29.4.1	Flash parameters .....	101
29.5	Parallel ports (GPIO) .....	102
29.5.1	Description of the keep and force currents .....	102
29.5.2	DC parameters of port 0, port 1, TMS, and reset .....	103
29.5.3	DC parameters of port 2 .....	105
29.6	LIN transceiver .....	107
29.6.1	Electrical characteristics .....	107
29.7	High-speed synchronous serial interface .....	111
29.7.1	SSC timing parameters .....	111
29.8	Measurement unit .....	112
29.8.1	System voltage measurement parameters .....	112
29.8.2	Central temperature sensor parameters .....	116
29.8.3	ADC2 VBG .....	117
29.8.3.1	ADC2 reference voltage VBG .....	117
29.8.3.2	ADC2 specifications .....	117
29.9	ADC1 reference voltage - VAREF .....	118
29.9.1	Electrical characteristics of VAREF .....	118
29.9.2	Electrical characteristics of the ADC1 (10-bit) .....	119
29.10	Reserved .....	120
29.11	High-voltage monitoring input .....	121
29.11.1	Electrical characteristics .....	121
29.12	MOSFET driver .....	122
29.12.1	Electrical characteristics .....	122
29.13	Operational amplifier .....	128
29.13.1	Electrical characteristics .....	128
<b>30</b>	<b>Package information .....</b>	<b>130</b>
<b>31</b>	<b>Revision history .....</b>	<b>131</b>

---

## Overview

# 1 Overview

### Summary of Features

- 32-bit Arm® Cortex®-M3 core
  - Up to 40 MHz clock frequency
  - One clock per machine cycle architecture
- On-chip memory
  - 64 KB flash including
  - 4 KB EEPROM (emulated in flash)
  - 512 byte 100-time programmable memory (100TP)
  - 6 KB RAM
  - Boot ROM for startup firmware and flash routines
- On-chip OSC and PLL for clock generation
  - PLL loss-of-lock detection
- MOSFET driver including charge pump
- 10 general-purpose I/O Ports (GPIO)
- 5 analog inputs, 10-bit A/D Converter (ADC1)
- 16-bit timers - GPT12, Timer2, Timer21, and Timer3
- Capture/compare unit for PWM signal generation (CCU6)
- 2 full-duplex serial interfaces (UART) with LIN support (for UART1 only)
- 2 synchronous serial channels (SSC)
- On-chip debug support via 2-wire SWD
- 1 LIN 2.2 transceiver
- 1 high-voltage monitoring input
- Single power supply from 5.5 V to 27 V
- Extended power supply voltage range from 3 V to 28 V
- Low-dropout voltage regulators (LDO)
- High-speed operational amplifier for motor current sensing via shunt
- 5 V voltage supply for external loads (e.g., Hall sensor)
- Core logic supply at 1.5 V
- Programmable window watchdog (WDT1) with independent on-chip clock source
- Power-saving modes
  - MCU slow-down mode
  - Sleep mode
  - Stop mode
  - Cyclic wake-up sleep mode
- Power-on and undervoltage/brownout reset generator
- Overtemperature protection
- Short-circuit protection
- Loss of clock detection with fail-safe mode entry for low system power consumption
- Temperature range  $T_j = -40^{\circ}\text{C}$  to  $+175^{\circ}\text{C}$

---

## Overview

- Package TQFP-48
- Green package (RoHS compliant)
- AEC-qualified

## Overview

### 1.1 Abbreviations

The following acronyms and terms are used within this document. List see in [Table 1](#).

**Table 1** Acronyms

Acronyms	Name
AHB	Advanced High-performance Bus
APB	Advanced Peripheral Bus
CCU6	Capture compare unit 6
CGU	Clock generation unit
CMU	Cyclic management unit
CP	Charge pump for MOSFET driver
CSA	Current-sense amplifier
DPP	Data post-processing
ECC	Error correction code
EEPROM	Electrically erasable programmable read only memory
EIM	Exceptional interrupt measurement
FSM	Finite state machine
GPIO	General-purpose input/output
H-Bridge	Half-bridge
ICU	Interrupt control unit
IEN	Interrupt enable
IIR	Infinite impulse response
LDM	Load instruction
LDO	Low-dropout voltage regulator
LIN	Local interconnect network
LSB	Least significant bit
LTI	Lead tip inspection
MCU	Microcontroller unit
MF	Measurement functions
MSB	Most significant bit
MPU	Memory protection unit
MRST	Master receive, slave transmit
MTRSR	Master transmit, slave receive
MU	Measurement unit
NMI	Non-maskable interrupt
NVIC	Nested vector interrupt controller
NVM	Non-volatile memory
OTP	One-time programmable
OSC	Oscillator
PBA	Peripheral bridge



---

**Overview**
**Table 1** Acronyms (cont'd)

Acronyms	Name
PCU	Power control unit
PD	Pull-down
PGU	Power supply generation unit
PLL	Phase-locked loop
PPB	Private Peripheral Bus
PU	Pull-up
PWM	Pulse-width modulation
RAM	Random-access memory
RCU	Reset control unit
RMU	Reset management unit
ROM	Read-only memory
SCU-DM	System control unit – digital modules
SCU-PM	System control unit – power modules
SFR	Special function register
SOW	Short open window (for WDT)
SPI	Serial Peripheral Interface
SSC	Synchronous serial channel
STM	Store instruction
SWD	Arm® Serial Wire Debug
TCCR	Temperature compensation control register
TMS	Test mode select
TSD	Thermal shut-down
UART	Universal asynchronous receiver-transmitter
VBG	Voltage reference bandgap
VCO	Voltage-controlled oscillator
VPRE	Preregulator
WDT	Watchdog timer in SCU-DM
WDT1	Watchdog timer in SCU-PM
WMU	Wake-up management unit
100TP	100-time programmable

Block diagram

2 Block diagram

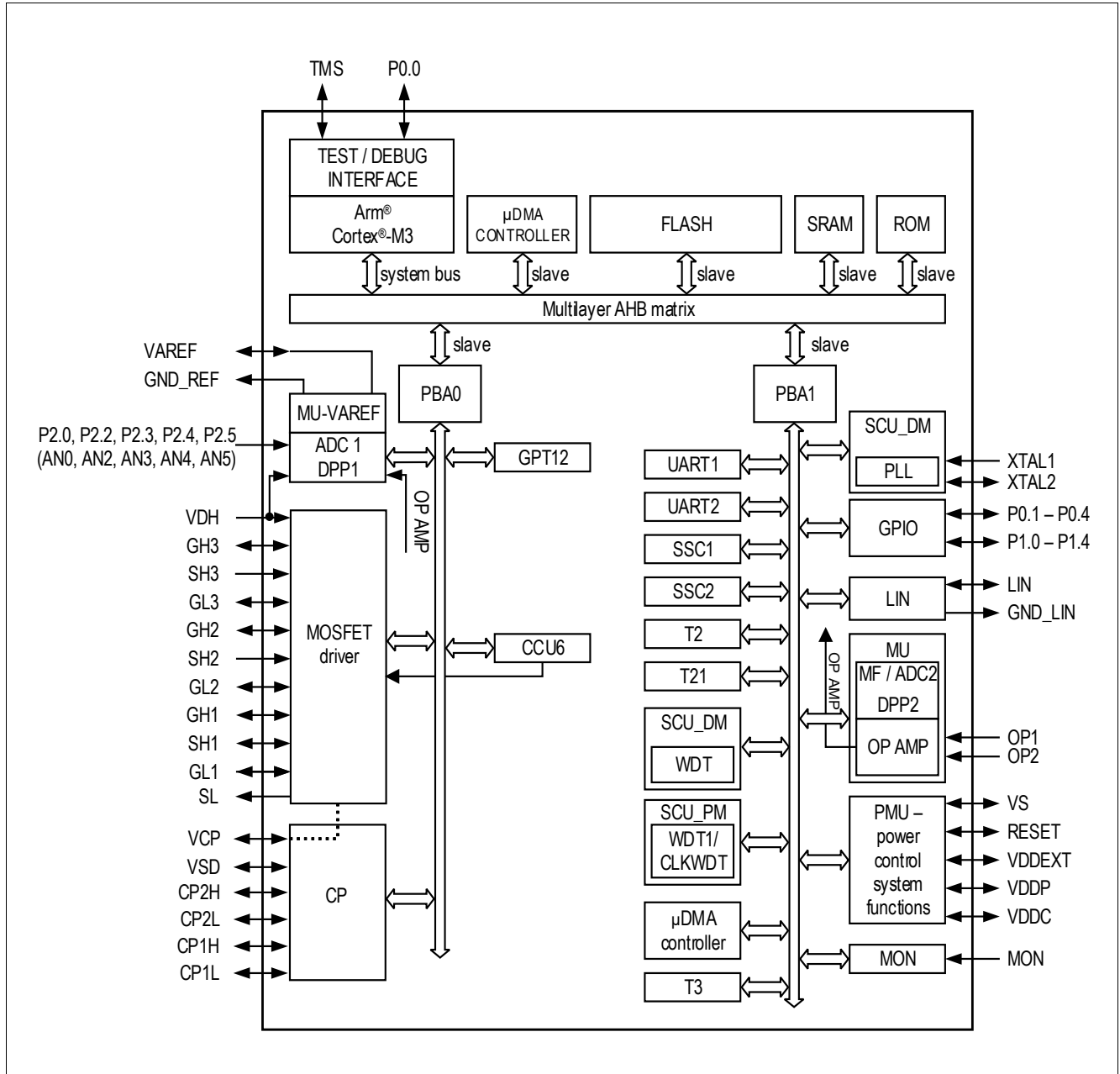


Figure 1 Block diagram

Device pinout and pin configuration

### 3 Device pinout and pin configuration

#### 3.1 Device pinout

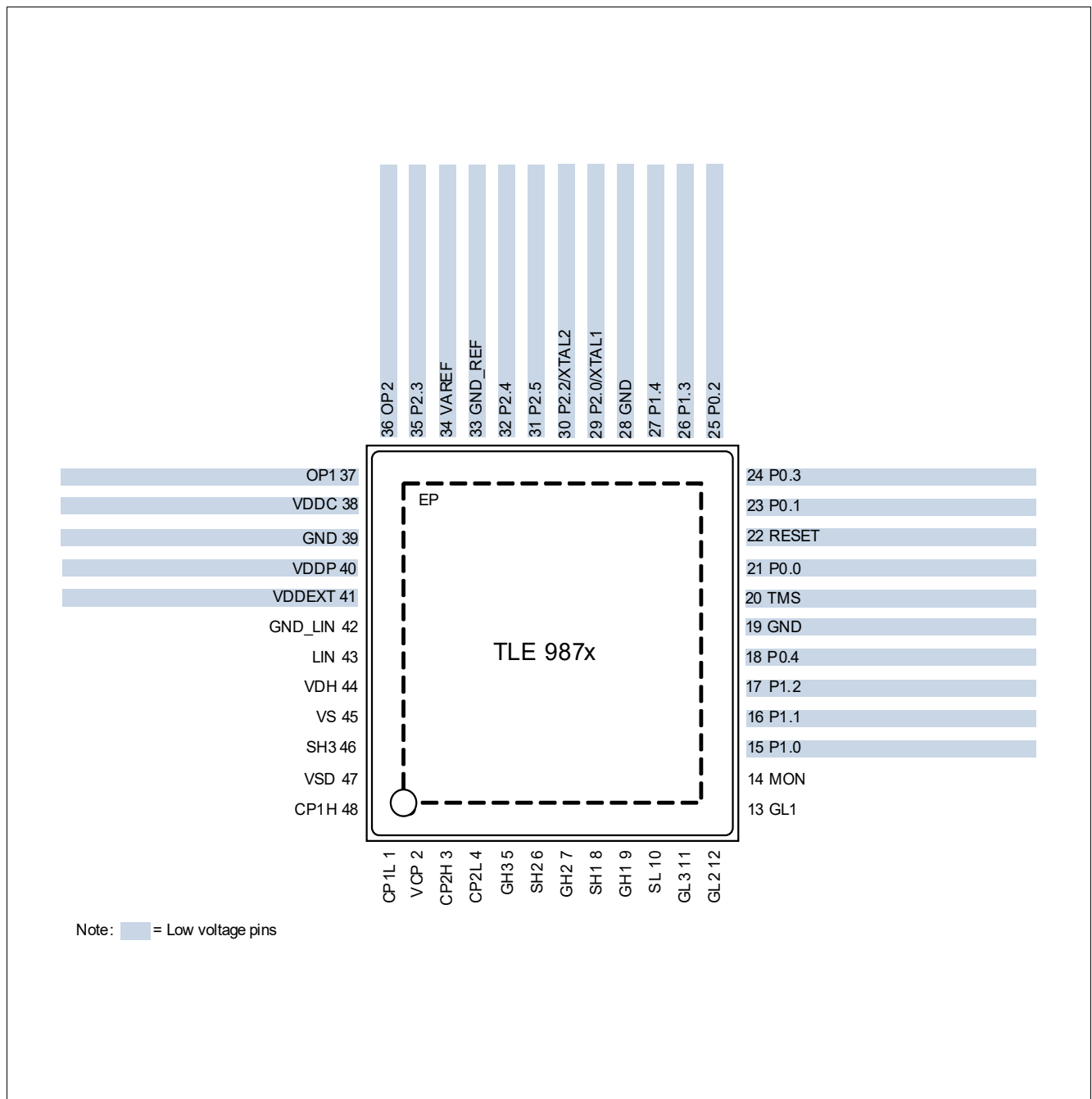


Figure 2 Device pinout

## Device pinout and pin configuration

### 3.2 Pin configuration

After a reset, all pins are configured as input (except supply and LIN pins) with one of the following settings:

- Pull-up device enabled only (PU)
- Pull-down device enabled only (PD)
- Input with both pull-up and pull-down devices disabled (I)
- Output with output stage deactivated = high-impedance state (Hi-Z)

The functions and default states of the TLE9877QW40 external pins are provided in the following table.

Type: indicates the pin type.

- I/O: Input or output
- I: Input only
- O: Output only
- P: Power supply

Not all alternate functions are listed.

**Table 2 Pin definitions and functions**

Symbol	Pin number	Type	Reset state <sup>1)</sup>	Function
<b>P0</b>				<b>Port 0</b> Port 0 is a 5-bit bidirectional general-purpose I/O port. Alternate functions can be assigned and are listed in the port description. The main functions are listed below.
P0.0	21	I/O	I/PU	SWD Serial wire debug clock
P0.1	23	I/O	I/PU	GPIO General-purpose I/O Alternate function mapping see <a href="#">Table 8</a> .
P0.2	25	I/O	I/PD	GPIO General-purpose I/O Alternate function mapping see <a href="#">Table 8</a> .  <i>Note: For a functional SWD connection, this GPIO must be tied to zero.</i>
P0.3	24	I/O	I/PU	GPIO General-purpose I/O Alternate function mapping see <a href="#">Table 8</a> .
P0.4	18	I/O	I/PD	GPIO General-purpose I/O Alternate function mapping see <a href="#">Table 8</a> .
<b>P1</b>				<b>Port 1</b> Port 1 is a 5-bit bidirectional general-purpose I/O port. Alternate functions can be assigned and are listed in the port description. The main functions are listed below.
P1.0	15	I/O	I	GPIO General-purpose I/O Alternate function mapping see <a href="#">Table 8</a> .
P1.1	16	I/O	I	GPIO General-purpose I/O Alternate function mapping see <a href="#">Table 9</a> .
P1.2	17	I/O	I	GPIO General-purpose I/O Alternate function mapping see <a href="#">Table 9</a> .

## Device pinout and pin configuration

**Table 2 Pin definitions and functions (cont'd)**

Symbol	Pin number	Type	Reset state <sup>1)</sup>	Function
P1.3	26	I/O	I	GPIO General-purpose I/O, used for inrush transistor Alternate function mapping see <a href="#">Table 9</a> .
P1.4	27	I/O	I	GPIO General-purpose I/O Alternate function mapping see <a href="#">Table 9</a> .
<b>P2</b>				<b>Port 2</b> Port 2 is a 5-bit general-purpose input-only port. Alternate functions can be assigned and are listed in the port description. The main functions are listed below.
P2.0/XTAL1	29	I/I	I	AN0 ADC analog input 0 Alternate function mapping see <a href="#">Table 10</a> .
P2.2/XTAL2	30	I/O	I	AN2 ADC analog input 2 Alternate function mapping see <a href="#">Table 10</a> .
P2.3	35	I	I	AN3 ADC analog input 3 Alternate function mapping see <a href="#">Table 10</a> .
P2.4	32	I	I	AN4 ADC analog input 4 Alternate function mapping see <a href="#">Table 10</a> .
P2.5	31	I	I	AN5 ADC analog input 5 Alternate function mapping see <a href="#">Table 10</a> .
<b>Power supply</b>				
VS	45	P	–	Battery supply input
VDDP	40	P	–	<sup>2)</sup> I/O port supply (5.0 V). Connect external buffer capacitor.
VDDC	38	P	–	<sup>3)</sup> Core supply (1.5 V in Active mode). Do not connect external loads, but connect an external buffer capacitor.
VDDEXT	41	P	–	External voltage supply output (5.0 V, 20 mA)
GND	19	P	–	GND digital
GND	28	P	–	GND digital
GND	39	P	–	GND analog
<b>Monitor input</b>				
MON	14	I	–	High voltage monitor input
<b>LIN interface</b>				
LIN	43	I/O	–	LIN bus interface input/output
GND_LIN	42	P	–	LIN ground
<b>Charge pump</b>				
CP1H	48	P	–	Charge pump capacity 1 high, connect external C
CP1L	1	P	–	Charge pump capacity 1 low, connect external C
CP2H	3	P	–	Charge pump capacity 2 high, connect external C
CP2L	4	P	–	Charge pump capacity 2 low, connect external C
VCP	2	P	–	Charge pump capacity

**Device pinout and pin configuration**
**Table 2 Pin definitions and functions (cont'd)**

Symbol	Pin number	Type	Reset state <sup>1)</sup>	Function
VSD	47	P	–	Battery supply input for charge pump
<b>MOSFET driver</b>				
VDH	44	P	–	Voltage drain high-side MOSFET driver
SH3	46	P	–	Source high-side FET 3
SH2	6	P	–	Source high-side FET 2
GH2	7	P	–	Gate high-side FET 2
SH1	8	P	–	Source high-side FET 1
GH1	9	P	–	Gate high-side FET 1
SL	10	P	–	Source low-side FET
GL2	12	P	–	Gate low-side FET 2
GL1	13	P	–	Gate low-side FET 1
GH3	5	P	–	Gate high-side FET 3
GL3	11	P	–	Gate low-side FET 3
<b>Others</b>				
GND_REF	33	P	–	GND for VAREF
VAREF	34	I/O	–	5V ADC1 reference voltage, optional buffer or input
OP1	37	I	–	Negative operational amplifier input
OP2	36	I	–	Positive operational amplifier input
TMS	20	I I/O	I/PD	TMS Test mode select input SWD Serial Wire Debug input/output
RESET	22	I/O	–	Reset input, not available during sleep mode
EP	–	–	–	Exposed pad, connect to GND

1) Only valid for digital IO.

2) Also named VDD5V.

3) Also named VDD1V5.

## Modes of operation

### 4 Modes of operation

The TLE9877QW40 highly integrated circuit contains analog and digital functional blocks. An embedded 32-bit microcontroller is available for system and interface control. On-chip, low-dropout regulators are provided for internal and external power supply. An internal oscillator provides a cost-effective clock that is particularly well suited for LIN communications. A LIN transceiver is available as a communication interface. Driver stages for a motor bridge or BLDC motor bridge with external MOSFET are integrated, featuring PWM capability, protection features, and a charge pump for operation at low supply voltage. A 10-bit SAR ADC is implemented for high-precision sensor measurement. An 8-bit ADC is used for diagnostic measurements.

The Micro controller unit supervision and system protection (including a reset feature) is complemented by a programmable window watchdog. A cyclic wake-up circuit, supply voltage supervision and integrated temperature sensors are available on-chip.

All relevant modules offer power saving modes in order to support automotive applications connected to terminal 30. A wake-up from power-save mode is possible via a LIN bus message, via the monitoring input, or using a programmable time period (cyclic wake-up).

The TLE9877QW40 has several operation modes mainly to support low power consumption requirements.

#### Reset mode

The Reset mode is a transition mode used, e.g., during power-up of the device after a power-on reset, or after wake-up from Sleep mode. In this mode, the on-chip power supplies are enabled and all other modules are initialized. Once the core supply VDDC is stable, the device enters Active mode. If the watchdog timer WDT1 fails more than four times, the device performs a fail-safe transition to Sleep mode.

#### Active mode

In Active mode, all modules are activated and the TLE9877QW40 is fully operational.

#### Stop mode

Stop mode is one of two major low-power modes. The transition to the low-power modes is performed by setting the corresponding bits in the mode control register. In Stop mode, the embedded microcontroller is still powered, allowing for shorter wake-up response times. Wake-up from this mode is possible through LIN bus activity, by using the high-voltage monitoring pin, or through the corresponding 5 V GPIOs.

#### Stop mode with cyclic wake-up

The Cyclic Wake-Up mode is a special operating mode of the Stop mode. The transition to the Cyclic Wake-Up mode is performed by first setting the corresponding bits in the mode control register, followed by the Stop Mode command. In addition to the cyclic wake-up behavior (wake-up after a programmable time period), asynchronous wake events via the activated sources (LIN and/or MON) are available, as in normal Stop mode.

#### Sleep mode

The Sleep mode is a low-power mode. The transition to the low-power mode is performed by setting the corresponding bits in the MCU mode control register or in case of failure (see below). In Sleep mode the embedded microcontroller power supply is deactivated, allowing for the lowest system power consumption. A wake-up from this mode is possible by LIN bus activity, the High Voltage Monitor Input pin, or through cyclic wake-up.

#### Sleep mode in case of failure

Sleep mode is activated after 5 consecutive watchdog failures or in case of supply failure (5 times). In this case, MON is enabled as the wake source and cyclic wake-up is activated with 1 s of dead time.

## Modes of operation

### Sleep Mode with cyclic wake-up

The Cyclic Wake-Up mode is a special operating mode of the Sleep mode. The transition to Cyclic Wake-Up mode is performed by first setting the corresponding bits in the mode control register followed by the Sleep Mode and Stop Mode commands. In addition to the cyclic wake-up behavior (wake-up after a programmable time period), asynchronous wake events via the activated sources (LIN and/or MON) are available, as in normal Sleep mode.

When using Sleep mode with cyclic wake-up, the voltage regulator is switched off and started again with the wake. A limited number of registers is buffered during sleep, and can be used by software, e.g., for counting sleep/wake cycles.

### MCU Slow Down mode

In MCU Slow Down mode the MCU frequency is reduced to save power during operation. LIN communication is still possible. LS MOSFET can be activated.

### Wake-up source prioritization

All wake-up sources have the same priority. In order to handle the asynchronous nature of the wake-up sources, the first wake-up signal will initiate the wake-up sequence. Nevertheless, all wake-up sources are latched in order to provide all wake-up events to the application software. The software can clear the wake-up source flags. This is to ensure that no wake-up event is lost.

As the default wake-up source, the MON input is activated after power-on reset only. Additionally, the device is in Cyclic Wake-Up mode with the configurable dead time setting.

The following table shows the possible power mode configurations including the Stop mode.

**Table 3 Power mode configurations**

Module/function	Active mode	Stop mode	Sleep mode	Comment
VDDEXT	ON/OFF	ON (no dynamic load)/OFF	OFF	–
Bridge Driver	ON/OFF	OFF	OFF	
LIN TRx	ON/OFF	Wake-up only/OFF	Wake-up only/OFF	–
VS sense	ON/OFF Brownout detection	Brownout detection	POR on VS	Brownout detection performed in PCU
GPIO 5V (wake-up)	n.a.	Disabled/static	OFF	–
GPIO 5V (active)	ON	ON	OFF	–
WDT1	ON	OFF	OFF	–
CYCLIC WAKE	n.a.	Cyclic wake-up/ cyclic sense/OFF	Cyclic wake-up/OFF	–
Measurement	ON <sup>1)</sup>	OFF	OFF	–
MCU	ON/slow-down/STOP	STOP <sup>2)</sup>	OFF	–
CLOCK GEN (MC)	ON	OFF	OFF	–
LP_CLK (18 MHz)	ON	OFF	OFF	WDT1
LP_CLK2 (100 kHz)	ON/OFF	ON/OFF	ON/OFF	For cyclic wake-up

1) May not be switched off due to safety reasons.

2) MC PLL clock disabled, MC supply reduced to  $V_{DCCOUT\_Stop\_Red}$ .



---

## Modes of operation

### Wake-up levels and transitions

The wake-up can be triggered by rising, falling, or both signal edges for the monitor input, GPIOs, by LIN, or by cyclic wake-up.

---

**Power management unit (PMU)****5 Power management unit (PMU)****5.1 Features**

- System mode control (startup, sleep, stop and active)
- Power management (cyclic wake-up)
- Control of system voltage regulators with diagnosis (overload, short, overvoltage)
- Fail-safe mode detection and operation in case of system errors (watchdog fail)
- Wake-up sources configuration and management (LIN, MON, GPIOs)
- System error logging

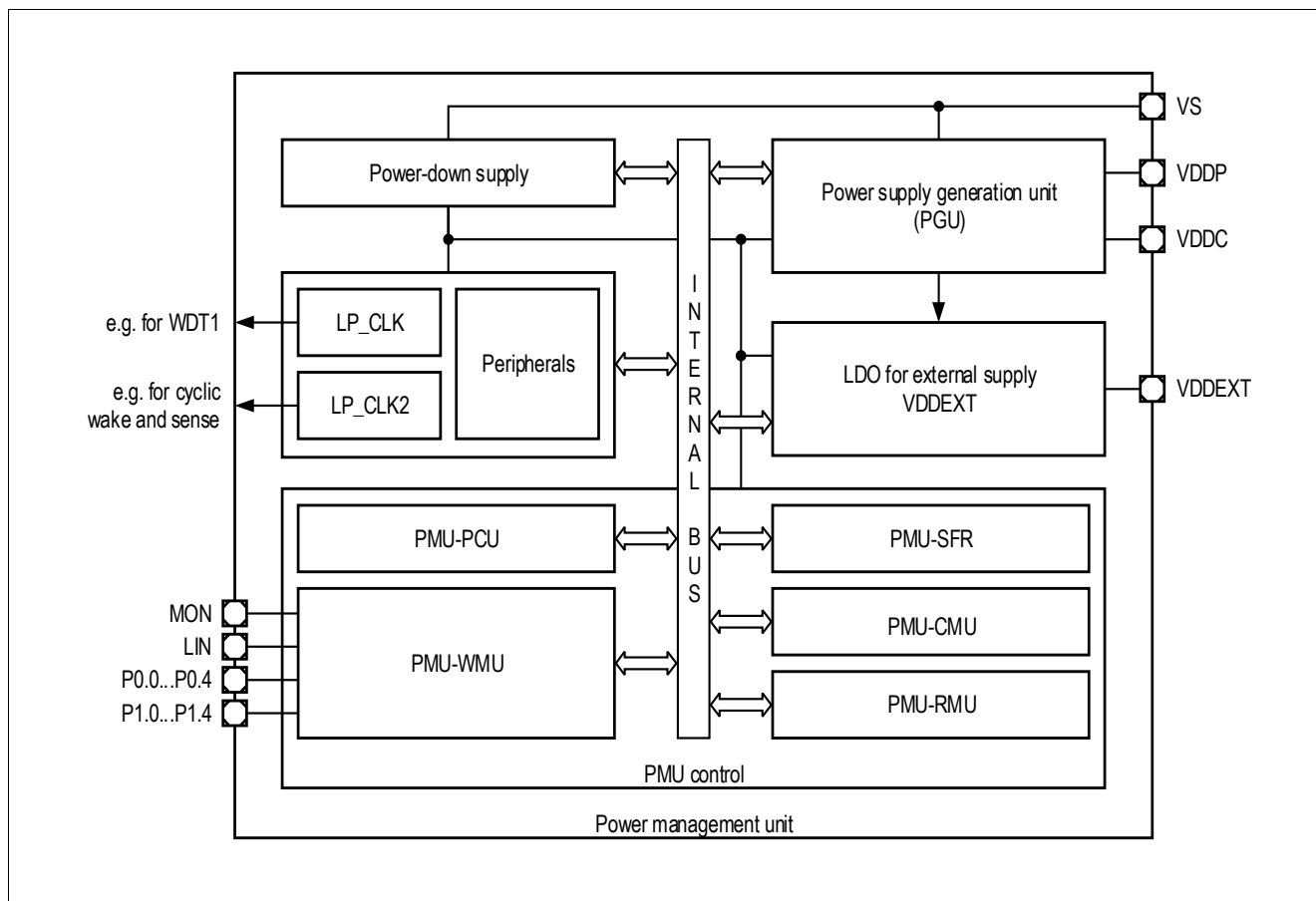
**5.2 Introduction**

The power management unit is responsible for generating all required voltage supplies for the embedded MCU (VDDC, VDDP) and the external supply (VDDEXT). The power management unit is designed to ensure fail-safe behavior of the system IC by controlling all system modes, including the corresponding transitions. Additionally, the PMU provides well-defined sequences for the system mode transitions and generates hierarchical reset priorities. The reset priorities control the reset behavior of all system functions, especially the reset behavior of the embedded MCU. All these functions are controlled by a state machine. The system master function of the PMU uses an independent logic supply and system clock. For this reason, the PMU has an "Internal logic supply and system clock" module which works independently of the MCU clock.

**Power management unit (PMU)**

**5.2.1 Block diagram**

The following figure shows the structure of the power management unit. **Table 4** describes the submodules in more detail.



**Figure 3 Power management unit block diagram**

**Table 4 Description of PMU submodules**

Module name	Modules	Functions
Power-down supply	Independent supply voltage generation for PMU.	This supply is dedicated to the PMU to ensure an operation independently of generated power supplies (VDDP, VDDC).
LP_CLK (18 MHz)	<ul style="list-style-type: none"> <li>• Clock source for all PMU submodules.</li> <li>• Backup clock source for the system.</li> <li>• Clock source for WDT1.</li> </ul>	This ultra-low-power oscillator generates the clock for the PMU. This clock is also used as the backup clock for the system in case of PLL clock failures and as an independent clock source for WDT1.
LP_CLK2 (100 kHz)	Clock source for PMU.	This ultra-low-power oscillator generates the clock for the PMU in Stop mode and in the cyclic modes.
Peripherals	Peripheral blocks of PMU.	These blocks include the analog peripherals to ensure a stable and fail-safe PMU startup and operation (bandgap, bias).

---

**Power management unit (PMU)**
**Table 4 Description of PMU submodules (cont'd)**

Module name	Modules	Functions
Power supply generation unit (PGU)	Voltage regulators for VDDP and VDDC.	This block includes the voltage regulators for the pad supply (VDDP) and the core supply (VDDC).
VDDEXT	Voltage regulator for VDDEXT to supply external modules (e.g., sensors).	This voltage regulator is a dedicated supply for external modules and can also be used for cyclic sense operations (e.g., with hall sensor).
PMU-SFR	All extended special function registers that are relevant to the PMU.	This module contains all registers needed to control and monitor the PMU.
PMU-PCU	Power control unit of the PMU.	This block is responsible for controlling all power-related actions within the PGU module. It also contains all regulator-related diagnostics such as undervoltage and overvoltage detection as well as overcurrent and short-circuit diagnostics.
PMU-WMU	Wake-up management unit of the PMU.	This block is responsible for controlling all actions related to wake-up within the PMU module.
PMU-CMU	Cyclic management unit of the PMU.	This block is responsible for controlling all actions in cyclic mode.
PMU-RMU	Reset management unit of the PMU.	This block generates resets triggered by the PMU, such as undervoltage or short-circuit reset, and passes all resets to the relevant modules and their registers.

Power management unit (PMU)

5.2.2 PMU modes overview

The following state diagram shows the available modes of the device.

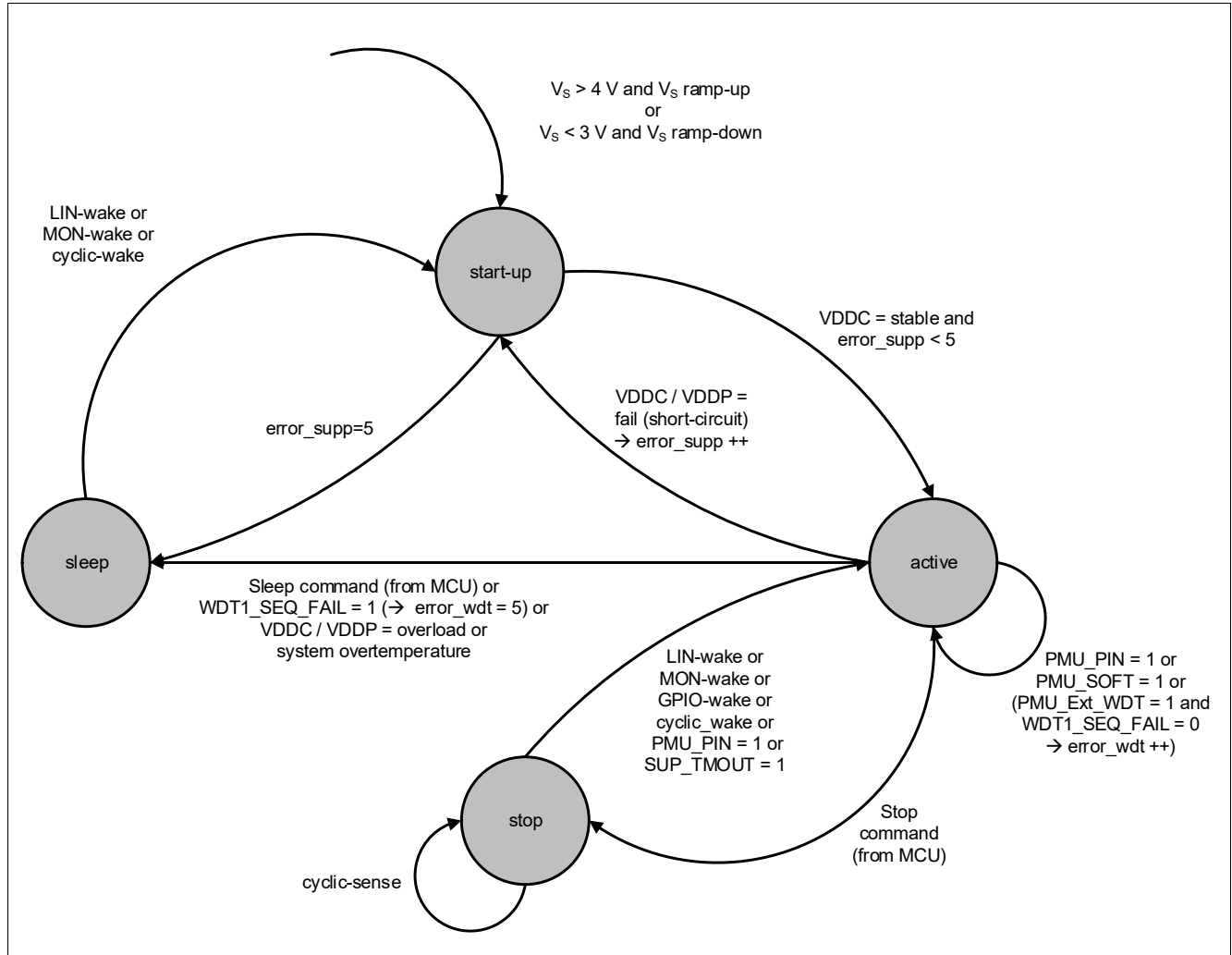


Figure 4 Power management unit system modes

## Power management unit (PMU)

### 5.3 Power supply generation unit (PGU)

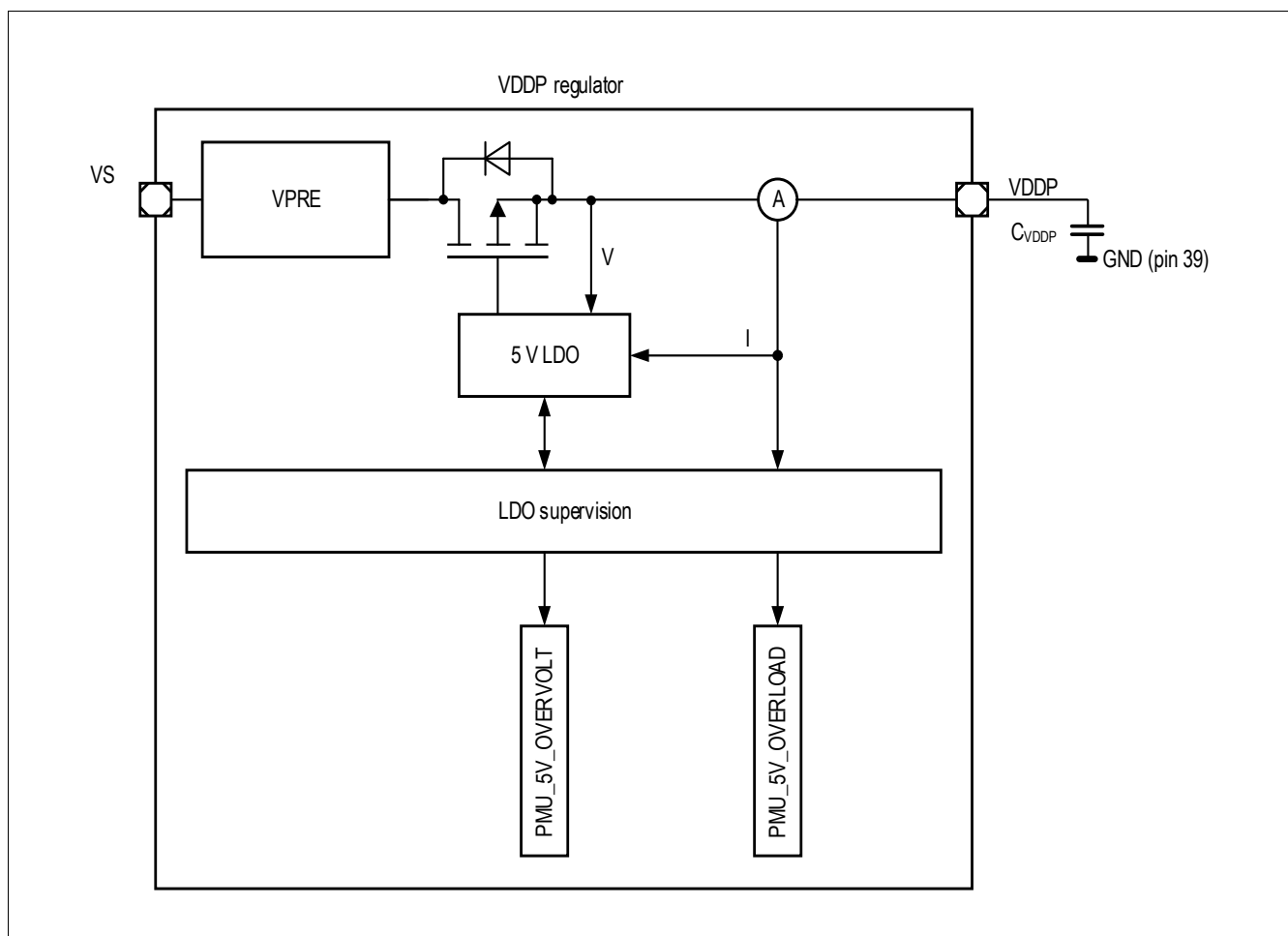
#### 5.3.1 Voltage regulator 5.0 V (VDDP)

This module represents the 5 V voltage regulator, which provides the pad supply for the parallel port pins and other 5 V analog functions (e.g. LIN transceiver).

##### Features

- 5 V low-drop voltage regulator
- Overcurrent monitoring and shutdown with MCU signaling (interrupt)
- Overvoltage monitoring with MCU signaling (interrupt)
- Undervoltage monitoring with MCU signaling (interrupt)
- Undervoltage monitoring with reset (undervoltage reset,  $V_{DDPUV}$ )
- Preregulator for the VDDC regulator
- GPIO supply
- Pull-down current source at the output for Sleep mode only (typ. 5 mA)

The output capacitor  $C_{VDDP}$  is mandatory to ensure proper regulator functionality.



**Figure 5** Module block diagram of the VDDP voltage regulator

## Power management unit (PMU)

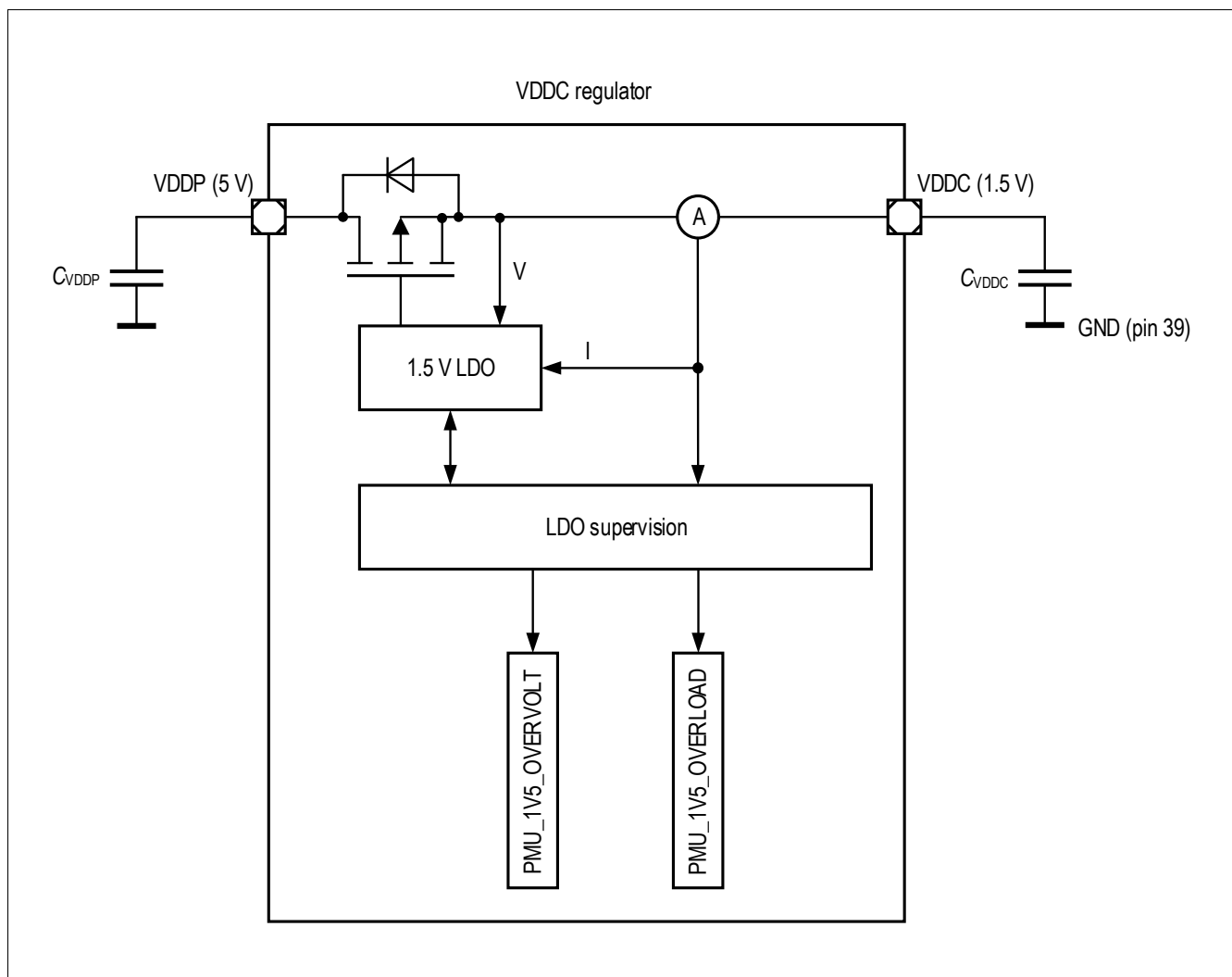
### 5.3.2 Voltage regulator 1.5 V (VDDC)

This module represents the 1.5 V voltage regulator, which provides the supply for the microcontroller core, the digital peripherals, and other internal analog 1.5 V functions (e.g., ADC2) of the chip. To further reduce the current consumption of the MCU during Stop mode the output voltage can be lowered to  $V_{\text{DDCOUT\_Stop\_Red}}$ .

#### Features

- 1.5 V low-drop voltage regulator
- Overcurrent monitoring and shutdown with MCU signaling (interrupt)
- Overvoltage monitoring with MCU signaling (interrupt)
- Undervoltage monitoring with MCU signaling (interrupt)
- Undervoltage monitoring with reset
- Pull-down current source at the output for Sleep mode only (typ. 100  $\mu\text{A}$ )

The output capacitor  $C_{\text{VDDC}}$  is mandatory to ensure a proper regulator functionality.



**Figure 6** Module block diagram of the VDDC voltage regulator

## Power management unit (PMU)

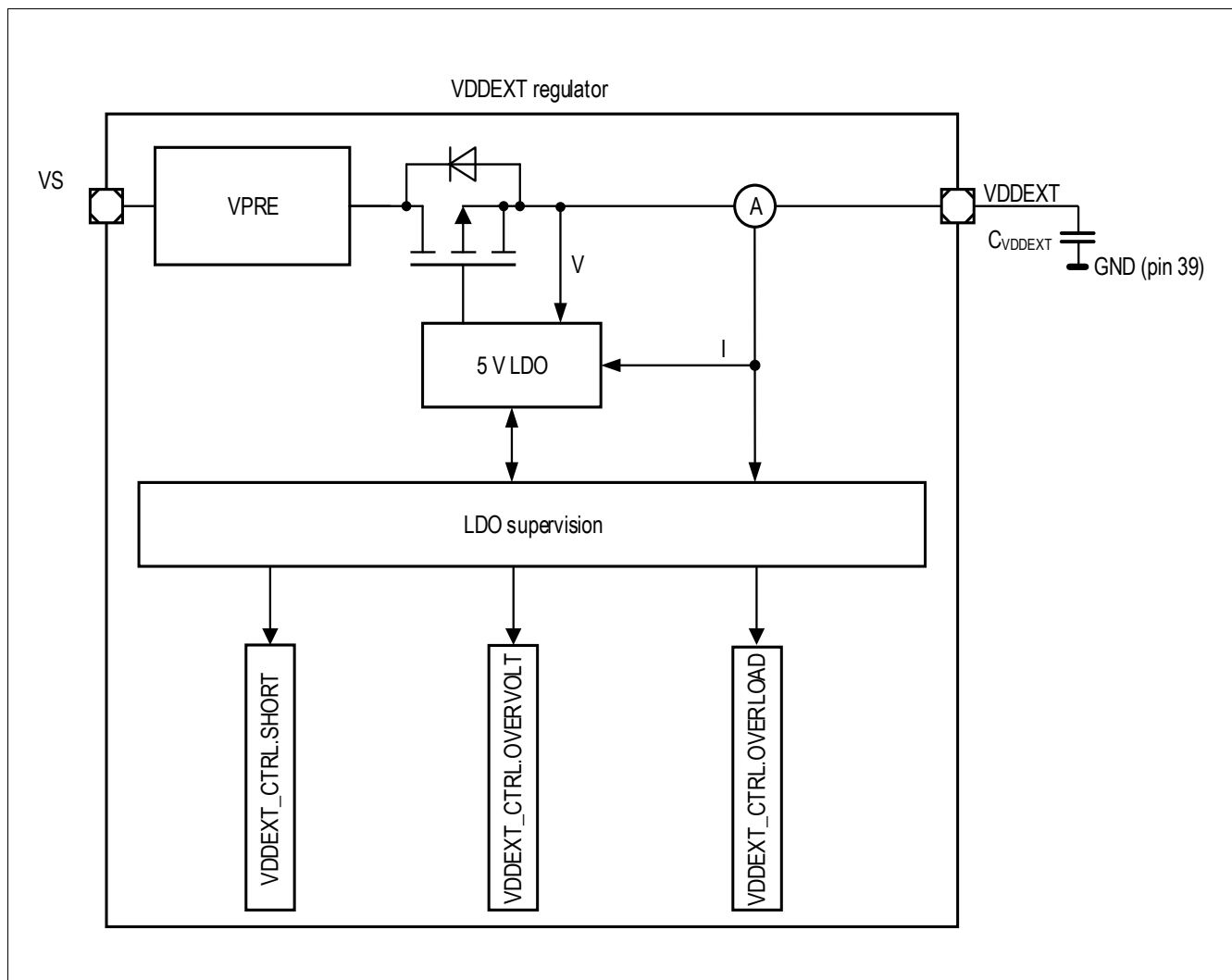
### 5.3.3 External voltage regulator 5.0 V (VDDEXT)

This module represents the 5 V voltage regulator, which serves as a supply for external circuits. It can be used, e.g., to supply an external sensor, LEDs, or potentiometers.

#### Features

- Switchable +5 V, low-drop voltage regulator
- Switch-on overcurrent blanking time in order to drive small capacitive loads
- Overcurrent monitoring and shutdown with MCU signaling (interrupt)
- Overvoltage monitoring with MCU signaling (interrupt)
- Undervoltage monitoring with MCU signaling (interrupt)
- Pull-down current source at the output for Sleep mode only (typ. 100  $\mu$ A)
- Cyclic sense option together with GPIOs

The output capacitor  $C_{VDDEXT}$  is mandatory to ensure a proper regulator functionality.



**Figure 7** Module block diagram of the external voltage regulator



## **6 System control unit – digital modules (SCU-DM)**

### **6.1 Features**

- Flexible clock configuration features
- Reset management of all system resets
- System modes control for all power modes (Active mode, Stop mode, Sleep mode)
- Enabling interrupts for many system peripherals
- General-purpose input/output control
- Debug mode control of system peripherals

### **6.2 Introduction**

The system control unit (SCU) supports all central control tasks in the TLE9877QW40. The SCU is made up of the following submodules:

- Clock system and control
- Reset control
- Power management
- Interrupt management
- General port control
- Flexible peripheral management
- Module suspension control
- Watchdog timer
- Error detection and correction in data memory
- Miscellaneous control

System control unit – digital modules (SCU-DM)

6.2.1 Block diagram

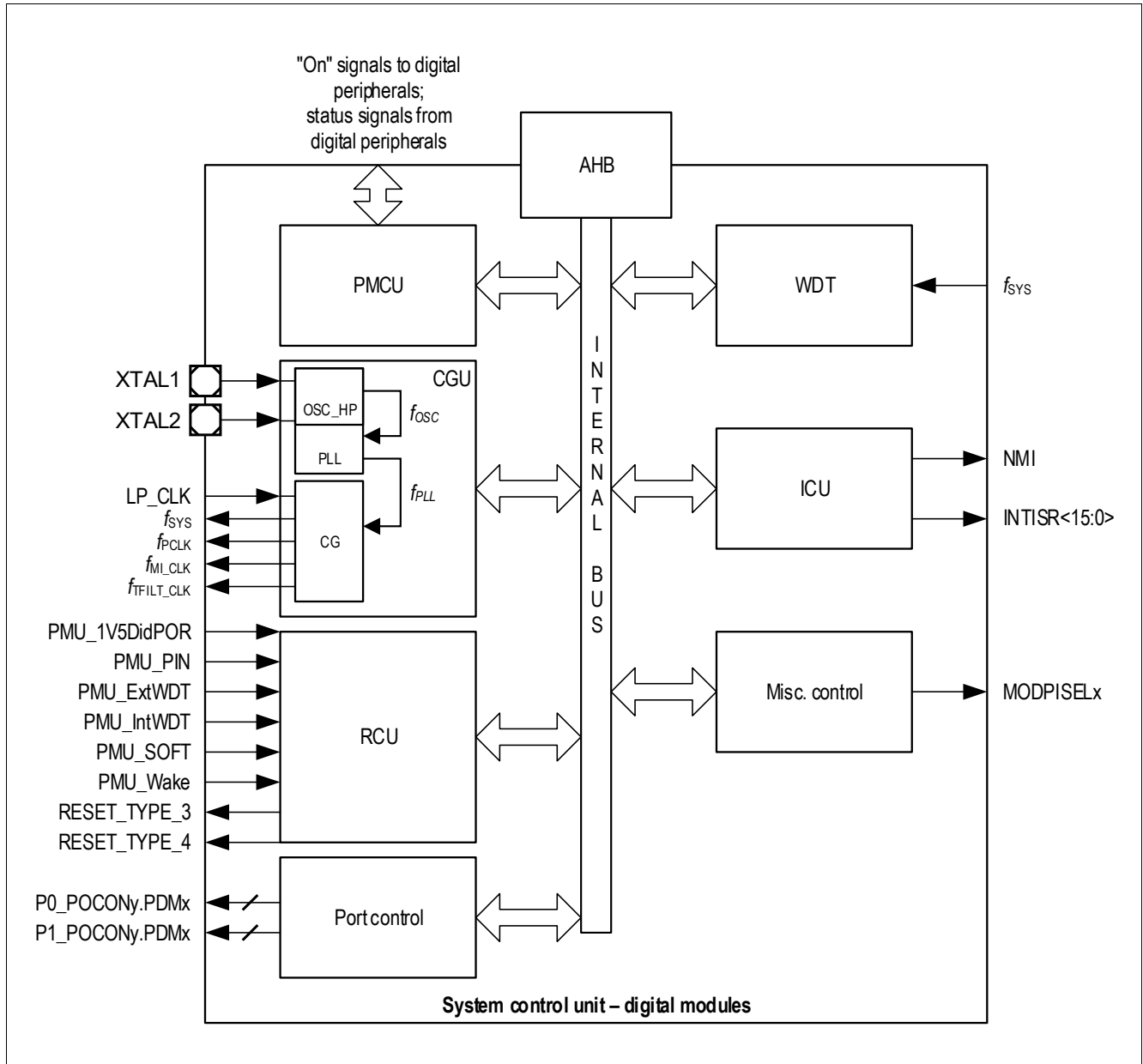


Figure 8 System control unit – digital modules block diagram

**AHB (Advanced High-Performance Bus)**

**PMCU (power module control unit)**

**WDT (watchdog timer in SCU-DM)**

- $f_{SYS}$ : System clock

---

**System control unit – digital modules (SCU-DM)****CGU (clock generation unit)**

- $f_{\text{SYS}}$ : System clock
- $f_{\text{PCLK}}$ : Peripheral clock
- $f_{\text{MI\_CLK}}$ : Measurement interface clock
- $f_{\text{TFILT\_CLK}}$ : Analog module filter clock
- LP\_CLK Clock source for all PMU submodules and WDT1

**ICU (interrupt control unit)**

- NMI (non-maskable interrupt)
- INTISR<15,13:4,1,0> External interrupt signals

**RCU (reset control unit)**

- PMU\_1V5DidPOR Undervoltage reset of power-down supply
- PMU\_PIN Reset generated by reset pin
- PMU\_ExtWDT WDT1 reset
- PMU\_IntWDT WDT (SCU) reset
- PMU\_SOFT Software reset
- PMU\_Wake Sleep mode/Stop mode exit with reset
- RESET\_TYPE\_3 Peripheral reset (contains all resets)
- RESET\_TYPE\_4 Peripheral reset (without SOFT and WDT reset)

**Port control**

- P0\_POCONy.PDMx Driver strength control
- P1\_POCONy.PDMx Driver strength control

**Miscellaneous control**

- MODPISELx mode selection registers for UART (source section) and timer (trigger or count selection)

## System control unit – digital modules (SCU-DM)

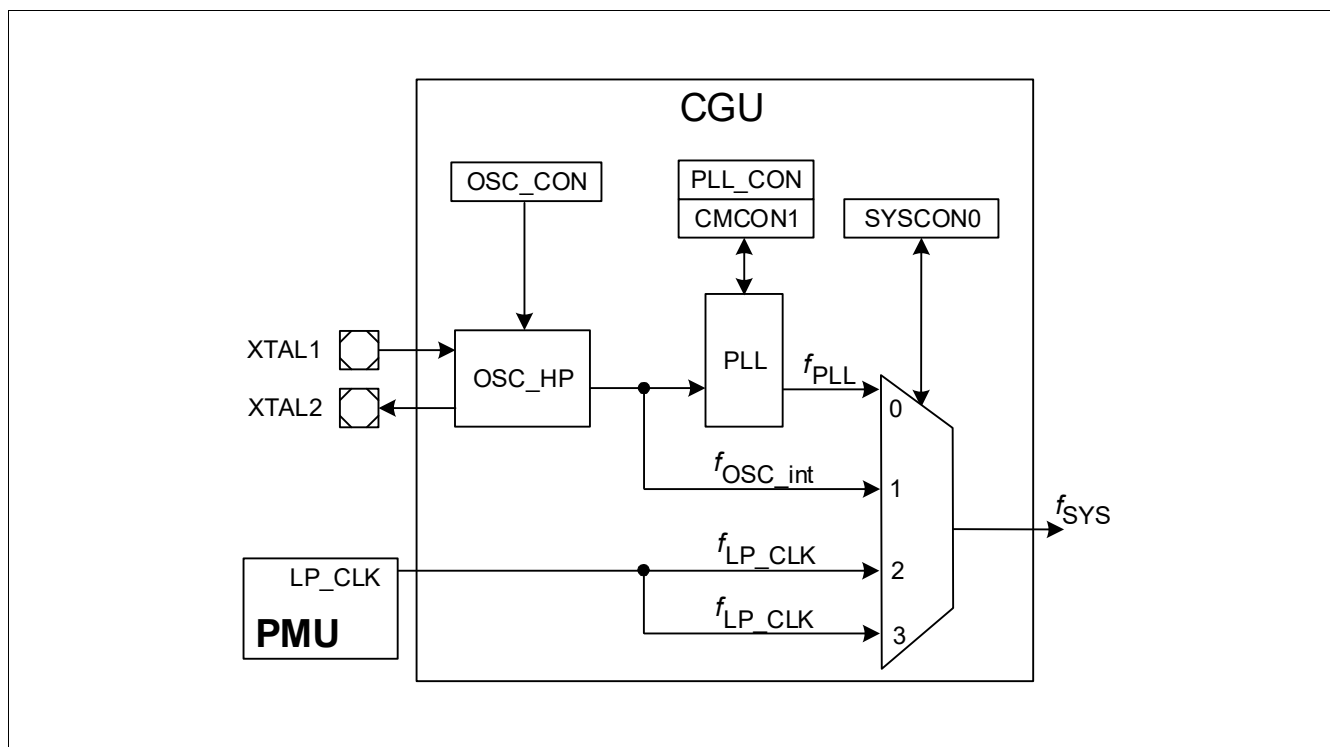
### 6.3 Clock generation unit

The clock generation unit (CGU) enables a flexible clock generation for the TLE9877QW40. During user program execution, the frequency can be modified to optimize the performance/power consumption ratio, allowing power consumption to be adapted to the actual application state.

The CGU in the TLE9877QW40 consists of one oscillator circuit (OSC\_HP), a phase-locked loop (PLL) module with an internal oscillator (OSC\_PLL), and a clock control unit (CCU). The CGU can convert a low-frequency input/external clock signal to a high-frequency internal clock.

The system clock  $f_{SYS}$  is generated from one of the following selectable clocks:

- PLL clock output  $f_{PLL}$
- Direct clock from oscillator OSC\_HP  $f_{OSC}$
- Low-precision clock  $f_{LP\_CLK}$  (hardware-enabled for startup after reset and during power-down wake-up sequence)



**Figure 9** Clock generation unit block diagram

The following sections describe the different parts of the CGU.

#### 6.3.1 Low-precision clock

The clock source LP\_CLK is a low-precision RC oscillator (LP-OSC) with a nominal frequency of 18 MHz that is enabled by hardware as an independent clock source for the TLE9877QW40 startup after reset and during the power-down wake-up sequence.  $f_{LP\_CLK}$  is not user-configurable.

#### 6.3.2 High-precision oscillator circuit (OSC\_HP)

The high-precision oscillator circuit, designed to work with either an external crystal oscillator or an external stable clock source, consists of an inverting amplifier with XTAL1 as the input and XTAL2 as the output.

---

**System control unit – digital modules (SCU-DM)**
**6.3.2.1 External input clock mode**

When supplying the clock signal directly, not using an external crystal and bypassing the oscillator, the input frequency needs to be equal or greater than 4 MHz if the PLL VCO part is used.

When using an external clock signal, it must be connected to XTAL1. XTAL2 is left open (unconnected).

**6.3.2.2 External crystal mode**

When using an external crystal, its frequency can be within the range of 4 MHz to 25 MHz. An external oscillator load circuitry must be used, connected to the XTAL1 and XTAL2 pins. It normally consists of two load capacitances C1 and C2. A series damping resistor could be required for some crystals. The exact values and the corresponding operating ranges depend on the crystal and have to be determined and optimized in cooperation with the crystal vendor using the negative-resistance method. The following load cap values can be used as starting points for the evaluation:

**Table 5 External CAP capacitors**

<b>Fundamental mode crystal frequency (approx., MHz)</b>	<b>Load caps C<sub>1</sub>, C<sub>2</sub> (pF)</b>
4	33
8	18
12	12
16	10
20	10
25	8

## System control unit – power modules (SCU-PM)

# 7 System control unit – power modules (SCU-PM)

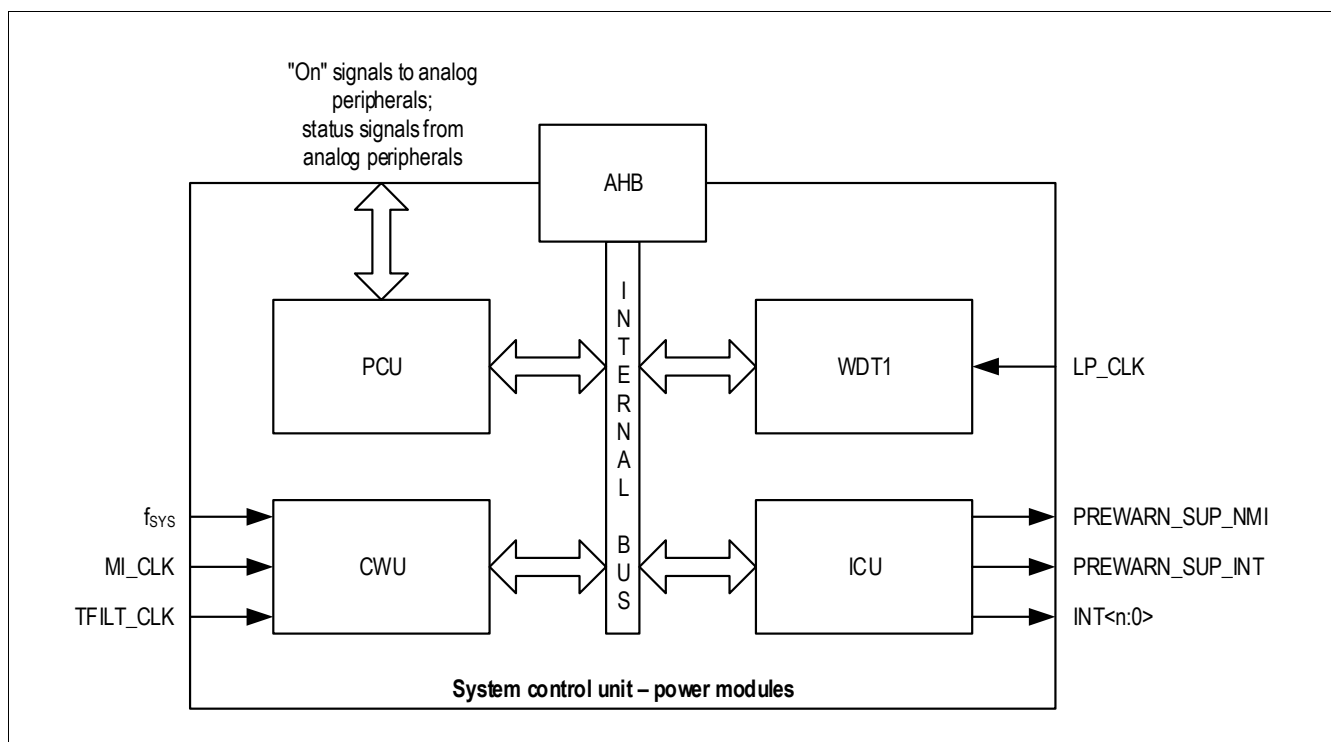
## 7.1 Features

- Clock watchdog unit (CWU): Supervises all clocks with NMI signaling relevant to power modules.
- Interrupt control unit (ICU): All interrupt flags and status flags with system relevance.
- Power control unit (PCU): Takes over control when device enters and exits Sleep and Stop mode.
- External watchdog (WDT1): Independent system watchdog for monitoring system activity.

## 7.2 Introduction

### 7.2.1 Block diagram

The system control unit of the power modules consists of the submodules in the figure shown below:



**Figure 10** Block diagram of system control unit – power modules

### AHB (Advanced High-performance Bus)

### CWU (clock watchdog unit)

- $f_{sys}$ : System frequency
- MI\_CLK: Measurement interface clock (analog clock), derived from  $f_{sys}$  using division factors 1/2/3/4
- TFILT\_CLK: Clock used for digital filters, derived from  $f_{sys}$  using configurable division factors

---

**System control unit – power modules (SCU-PM)****WDT1 (system watchdog)**

- LP\_CLK Clock source for all PMU submodules and WDT1

**ICU (interrupt control unit)**

- PREWARN\_SUP\_NMI Supply prewarning NMI request
- PREWARN\_SUP\_INT Supply prewarning interrupt
- Grouping of peripheral interrupts for external interrupt nodes:
  - Grouping single peripheral interrupts for interrupt node INT<2> (measurement unit (MU))
  - Grouping single peripheral interrupts for interrupt node INT<3> (ADC1-VAREF)
  - Grouping single peripheral interrupts for interrupt node INT<10> (UART1-LIN transceiver)
  - Grouping single peripheral interrupts for interrupt node INT<14> (bridge driver)

## 8 Arm® Cortex®-M3 core

### 8.1 Features

The key features of the Arm® Cortex®-M3 implemented are listed below.

#### **Processor core: a low-gate-count core, with low-latency interrupt processing**

- A subset of the Thumb®-2 instruction set
- Banked stack pointer (SP) only
- 32-bit hardware divide instructions, SDIV and UDIV (Thumb-2 instructions)
- Handler and thread modes
- Thumb and debug states
- Interruptible-continued instructions LDM/STM, push/pop for low interrupt latency
- Automatic processor state saving and restoration for low-latency interrupt service routine (ISR) entry and exit
- Arm® architecture v7-M Style BE8/LE support
- Arm®v6 unaligned accesses

#### **Nested vectored interrupt controller (NVIC) closely integrated with the processor core to achieve low latency interrupt processing**

- Interrupts, configurable from 1 to 16
- Bits of priority (4)
- Dynamic reprioritization of interrupts
- Priority grouping. This enables selection of preemptive interrupt levels and non-preemptive interrupt levels.
- Support for tail-chaining and late arrival of interrupts. This enables back-to-back interrupt processing without the overhead of state-saving and restoration between interrupts.
- Processor state automatically saved on interrupt entry, and restored on interrupt exit, with no instruction overhead.

#### **Bus interfaces**

- Advanced High-performance Bus-Lite (AHB-Lite) interfaces: ICode, DCode, and system bus interface
- Memory access alignment
- Write buffer for buffering of write data



Arm® Cortex®-M3 core

## 8.2 Introduction

The Arm® Cortex®-M3 processor is a leading 32-bit processor and provides a high-performance and cost-optimized platform for a broad range of applications including microcontrollers, automotive body systems and industrial control systems. Like the other Arm® Cortex® family processors, the Arm® Cortex®-M3 processor implements the Thumb®-2 instruction set architecture. With the optimized feature set the Arm® Cortex®-M3 delivers 32-bit performance in an application space that is usually associated with 8- and 16-bit microcontrollers.

### 8.2.1 Block diagram

Figure 11 shows the functional blocks of the Arm® Cortex®-M3.

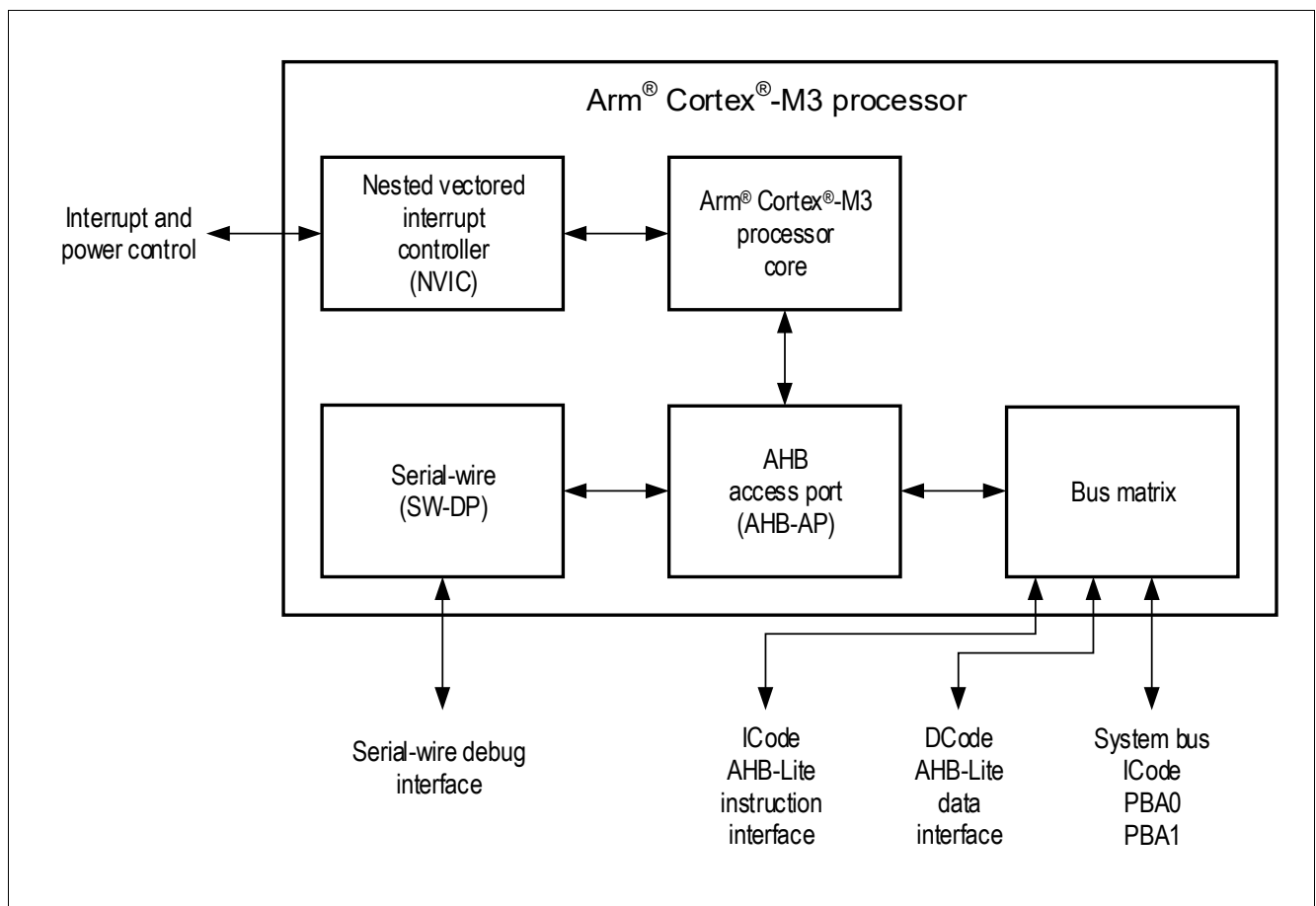


Figure 11 Arm® Cortex®-M3 block diagram

## 9 DMA controller

**Figure 12** shows the top level block diagram of the TLE9877QTW40.

The bus matrix allows the  $\mu$ DMA to access the PBA0, PBA1, and RAM.

### 9.1 Features

The principal features of the DMA Controller are:

- It is compatible with AHB-Lite for DMA transfers.
- It is compatible with APB for register programming.
- It has a single AHB-Lite master for transferring data using a 32-bit address bus and a 32-bit data bus.
- It supports 13 DMA channels.
- Each DMA channel has dedicated handshake signals.
- Each DMA channel has a programmable priority level.
- Each priority level arbitrates using a fixed priority that is determined by the DMA channel number. The DMA also supports multiple transfer types:
  - Memory-to-memory
  - Memory-to-peripheral
  - Peripheral-to-memory
- It supports multiple DMA cycle types.
- It supports multiple DMA transfer data widths.
- Each DMA channel can access a primary and an alternate channel control data structure.
- All the channel control data is stored in system memory (RAM) in little-endian format.
- It performs all DMA transfers using the single AHB-Lite burst type. The destination data width is equal to the source data width.
- The number of transfers in a single DMA cycle can be programmed from 1 to 1024.
- The transfer address increment can be greater than the data width.

DMA controller

9.2 Introduction

Please also refer to [Chapter 9.3, Functional description](#).

9.2.1 Block diagram

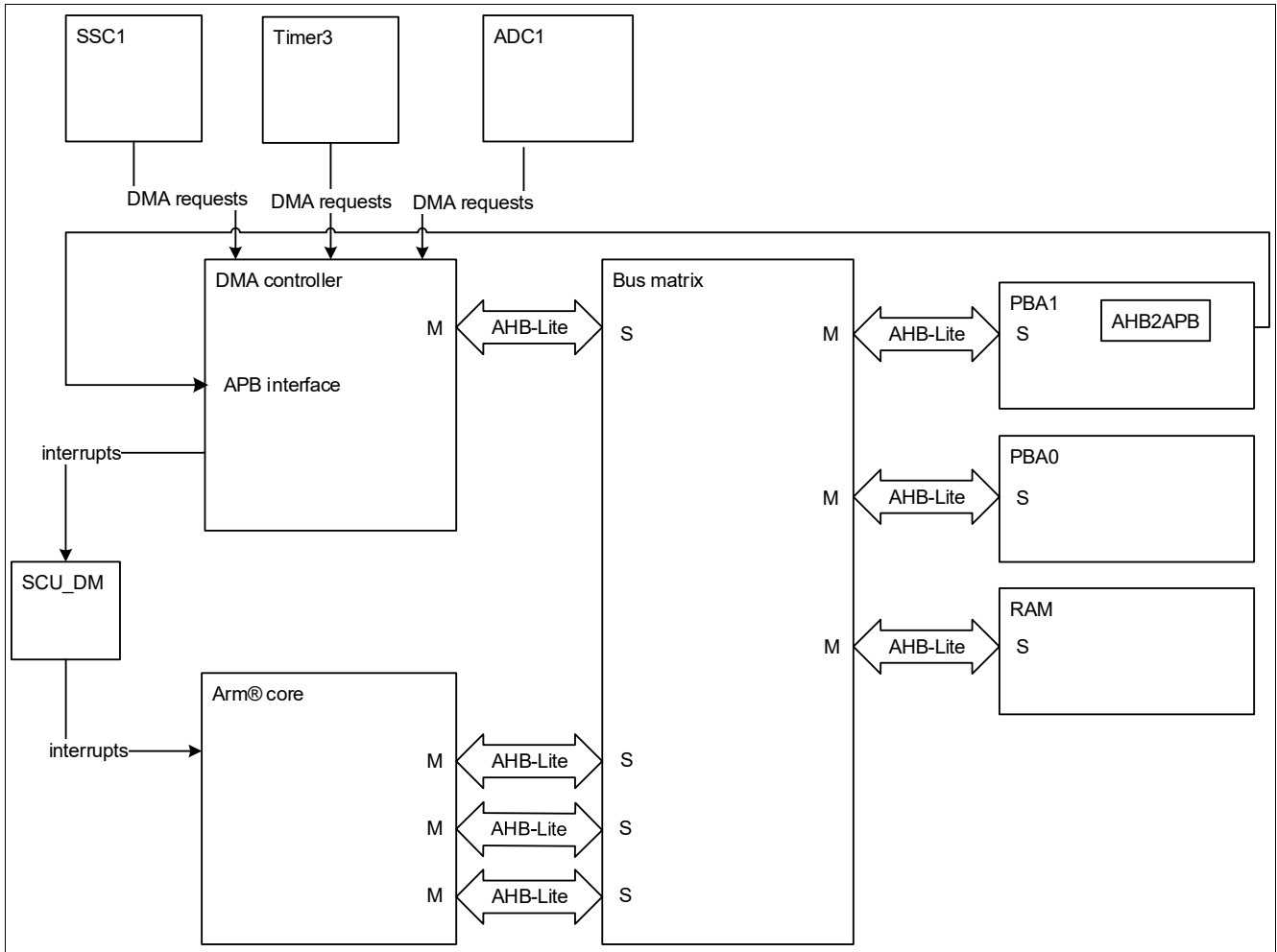


Figure 12 DMA controller top level block diagram

---

## DMA controller

### 9.3 Functional description

#### 9.3.1 DMA mode overview

The DMA controller implements the following 13 hardware DMA requests:

- ADC1 complete sequence 1 done: DMA transfer is requested on completion of the ADC1 channel conversion sequence.
- ADC1 exceptional sequence 2 (ESM) done: DMA transfer is requested on completion of the ADC1 conversion sequence triggered by an exceptional measurement request.
- SSC1/2 transmit byte: DMA transfer is requested upon the completion of data transmission via SSC1/2.
- SSC1/2: receive byte: DMA transfer is requested upon the completion of data reception via SSC1/2.
- ADC1 channel 0 conversion done: DMA transfer is requested on completion of the ADC1 channel 0 conversion.
- ADC1 channel 1 conversion done: DMA transfer is requested on completion of the ADC1 channel 1 conversion.
- ADC1 channel 2 conversion done: DMA transfer is requested on completion of the ADC1 channel 2 conversion.
- ADC1 channel 3 conversion done: DMA transfer is requested on completion of the ADC1 channel 3 conversion.
- ADC1 channel 4 conversion done: DMA transfer is requested on completion of the ADC1 channel 4 conversion.
- ADC1 channel 5 conversion done: DMA transfer is requested on completion of the ADC1 channel 5 conversion.
- ADC1 channel 6 conversion done: DMA transfer is requested on completion of the ADC1 channel 6 conversion.
- ADC1 channel 7 conversion done: DMA transfer is requested on completion of the ADC1 channel 7 conversion.
- Timer3 ccu6\_int: DMA transfer is requested following a timer trigger.

Address space organization

## 10 Address space organization

The TLE9877QTW40 manipulates operands in the following memory spaces:

- 64 KB (incl. 4 KByte emulated EEPROM) of flash memory in code space
- 32 KB Boot ROM memory in code space (used for boot code and IP storage)
- 6 KB RAM memory in code space and data space (RAM can be read/written as program memory or external data memory)
- Special function registers (SFRs) in peripheral space

The figure below shows the detailed address alignment of the TLE9877QTW40:

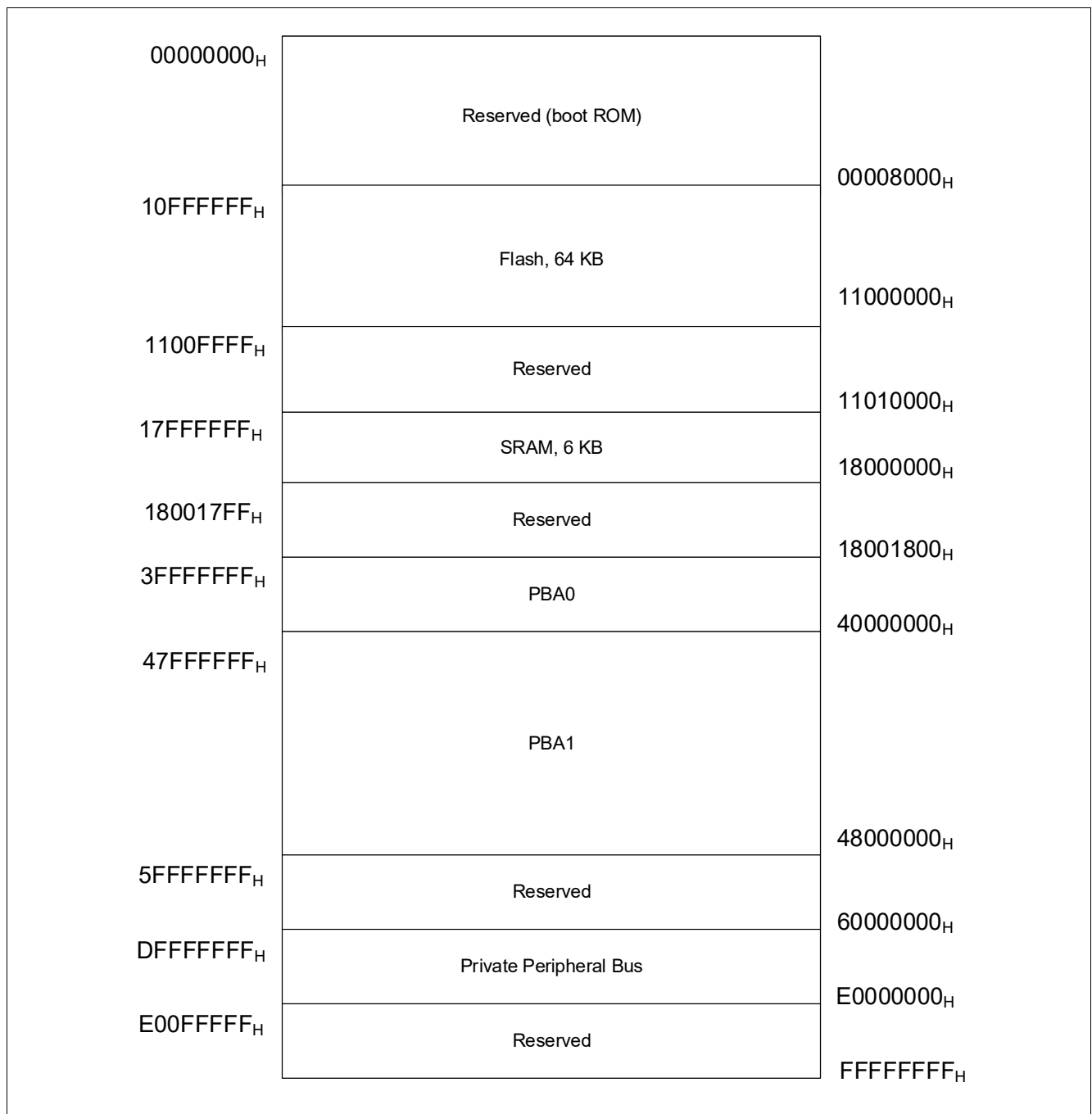


Figure 13 Memory map

---

## Memory control unit

# 11 Memory control unit

## 11.1 Features

- Handles all system memory types and their interaction with the CPU
- Memory protection functions for all system memory types (D-flash, P-flash, RAM)
- Address management with access violation detection including reporting
- Linear address range for all memory types (no paging)

## 11.2 Introduction

### 11.2.1 Block diagram

The memory control unit is divided into the following submodules:

- NVM memory module (embedded flash memory)
- RAM memory module
- BootROM memory module
- Memory protection unit (MPU) module
- Peripheral bridge PBA0

Memory control unit

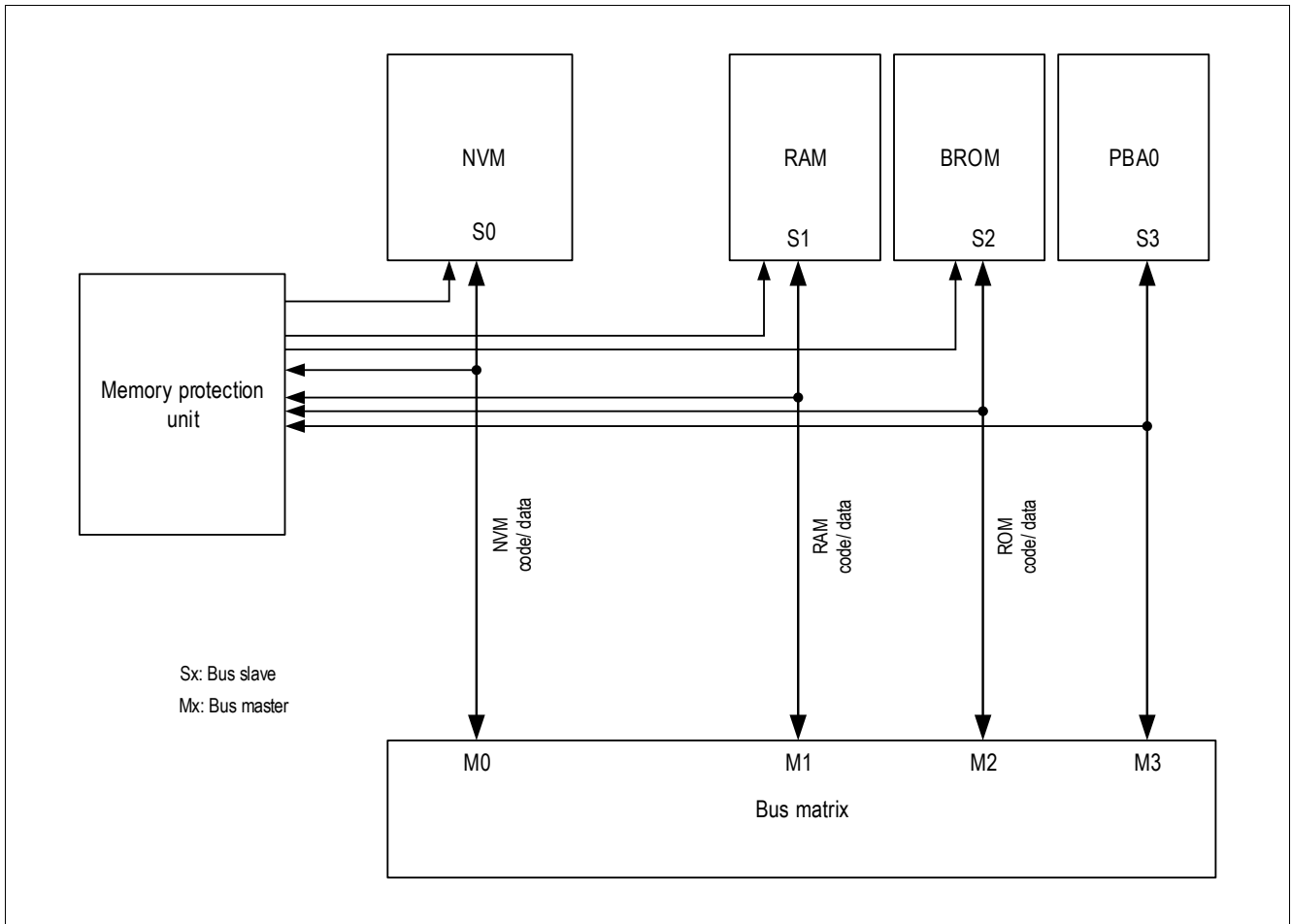


Figure 14 Block diagram of the memory control unit

---

**Memory control unit****11.3 NVM module (flash memory)**

The flash memory provides embedded user-programmable non-volatile memory, allowing fast and reliable storage of user code and data.

**Features**

- In-system programming via LIN (flash mode) and SWD.
- Error correction code (ECC) for detection of single-bit and double-bit errors and dynamic correction of single-bit errors.
- Interrupts and signals double-bit errors by the NMI.
- Program width of 128 byte (page).
- Minimum erase width of 128 bytes (page).
- Integrated hardware support for EEPROM emulation.
- 8-byte read access.
- Physical read access time: 75 ns.
- Code-read access acceleration integrated; read buffer and automatic pre-fetch.
- Page-program time:  $t_{PR}$ .
- Page-erase (128 bytes) and sector-erase (4 KB) time:  $t_{ER}$ .
- Erased bit (cell) is read as '1', for code flash and 100TP.
- Erased bit (cell) is read as '0' plus NMIMAP request, for data flash.

*Note:* The user has to ensure that no flash operations which change the content of the flash get interrupted at any time.

The clock for the NVM is supplied with the system frequency  $f_{sys}$ . Integrated firmware routines for erasing NVM, EEPROM emulation, and other operations are provided.



---

**Interrupt system**

## 12 Interrupt system

### 12.1 Features

- Up to 16 interrupt nodes for on-chip peripherals
- Up to 8 NMI nodes for critical system events
- Maximum flexibility for all 16 interrupt nodes

### 12.2 Introduction

Before enabling an interrupt, all corresponding interrupt status flags must be cleared.

#### 12.2.1 Overview

The TLE9877QTW40 supports 16 interrupt vectors with 16 priority levels. Fifteen of these interrupt vectors are assigned to the on-chip peripherals: GPT12, SSC, CCU6, DMA, bridge driver and A/D converter are each assigned to one dedicated interrupt vector; while UART1 and Timer2, as well as UART2, external interrupt 2 and Timer21 share interrupt vectors. Two vectors are dedicated for external interrupt 0 and 1.

**Table 6 Interrupt vector table**

Service request	Node ID	Description
GPT12	0/1	GPT interrupt (T2-T6, CAPIN)
MU-ADC2/T3	2	Measurement unit, VBG, Timer3, BEMF
ADC1	3	ADC1 interrupt / VREF5V overload / VREF5V OV/UV
CCU0	4	CCU6 node 0 interrupt
CCU1	5	CCU6 node 1 interrupt
CCU2	6	CCU6 node 2 interrupt
CCU3	7	CCU6 node 3 interrupt
SSC1	8	SSC1 interrupt (receive, transmit, error)
SSC2	9	SSC2 interrupt (receive, transmit, error)
UART1	10	UART1 (ASC-LIN) interrupt (receive, transmit), Timer2, linsync1, LIN
UART2	11	UART2 interrupt (receive, transmit), Timer21, external interrupt (EINT2)
EXINT0	12	External interrupt (EINT0), MON
EXINT1	13	External interrupt (EINT1)
BDRV/CP	14	Bridge driver / charge pump
DMA	15	DMA controller

---

**Interrupt system****Table 7 NMI interrupt table**

<b>Service request</b>	<b>Node</b>	<b>Description</b>
Watchdog timer NMI	NMI	Watchdog timer overflow
PLL NMI	NMI	PLL loss-of-lock
NVM operation complete NMI	NMI	NVM operation complete
Overtemperature NMI	NMI	System overtemperature
Oscillator watchdog NMI	NMI	Oscillator watchdog / MI_CLK watchdog timer overflow
NVM map error NMI	NMI	NVM map error
ECC error NMI	NMI	RAM/NVM uncorrectable ECC error
Supply prewarning NMI	NMI	Supply prewarning

---

**Watchdog timer (WDT1)****13 Watchdog timer (WDT1)****13.1 Features**

There are two watchdog timers in the system. The watchdog timer (WDT) within the system control unit – digital modules (see SCU\_DM) and the Watchdog Timer (WDT1) located within the system control unit – power modules (see SCU\_PM). The watchdog timer WDT1 is described in this section.

In Active mode, the WDT1 acts as a windowed watchdog timer, which provides a highly reliable and safe way to recover from software or hardware failures.

The WDT1 is always enabled in Active mode. In Sleep mode, Stop Mode and SWD mode (Debug mode), the WDT1 is automatically disabled.

**Functional Features**

- Windowed watchdog timer with programmable timing in Active mode.
- Long-open window (typ. 80 ms) after power-up, reset, wake-up.
- Short-open window (typ. 30 ms) to facilitate flash programming.
- Disabled during debugging.
- Safety shutdown to Sleep mode after 5 missed WDT1 services.

Watchdog timer (WDT1)

13.2 Introduction

The behavior of the watchdog timer in Active mode is illustrated in **Figure 15**.

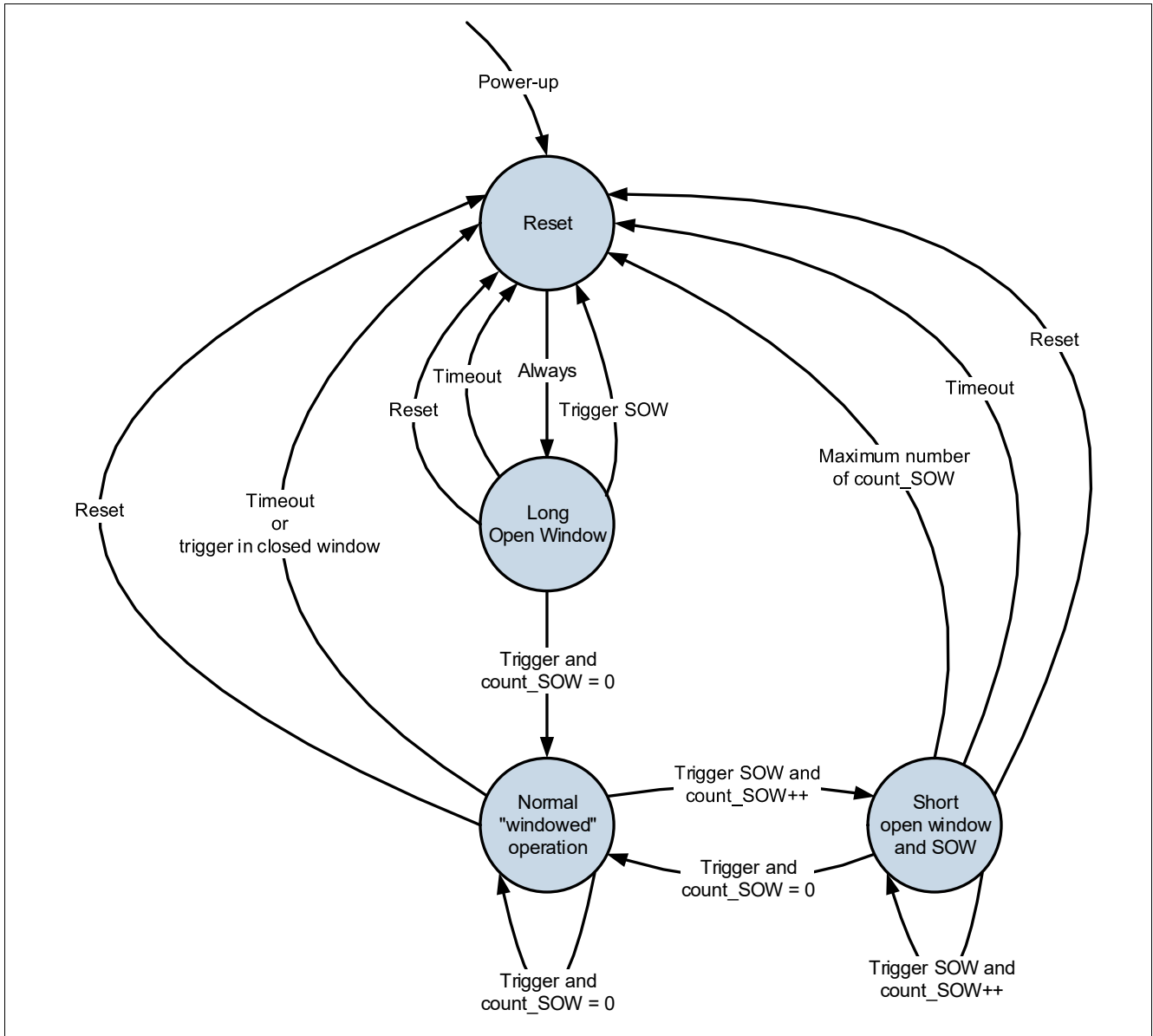


Figure 15 Watchdog timer behavior

## GPIO ports and peripheral I/O

### 14 GPIO ports and peripheral I/O

The TLE9877QW40 has 15 port pins organized into three parallel ports: Port 0 (P0), port 1 (P1) and port 2 (P2). Each port pin has a pair of internal pull-up and pull-down devices that can be individually enabled or disabled. P0 and P1 are bidirectional and can be used as general-purpose input/output (GPIO) or to perform alternate input/output functions for the on-chip peripherals. For ports configured as an output, the open drain mode can be selected. On port 2 (P2), analog inputs are shared with general-purpose inputs.

#### 14.1 Features

##### Features of bidirectional ports (P0, P1)

- Configurable pin direction
- Configurable pull-up/pull-down devices
- Configurable open-drain mode
- Configurable drive strength
- Transfer of data through digital inputs and outputs (general-purpose I/O)
- Alternate input/output for on-chip peripherals

##### Features of the analog port (P2)

- Configurable pull-up/pull-down devices
- Transfer of data through digital inputs
- Alternate inputs for on-chip peripherals

#### 14.2 Introduction

##### 14.2.1 Port 0 and port 1

**Figure 16** shows the block diagram of a TLE9877QW40 bidirectional port pin. Each port pin is equipped with a number of control and data bits, thus enabling very flexible usage of the pin. By defining the contents of the control register, each individual pin can be configured as an input or an output. The user can also configure each pin as an open-drain pin with or without an internal pull-up/pull-down.

Each bidirectional port pin can be configured for input or output operation. Switching between input and output mode is accomplished through the register  $Px\_DIR$  ( $x = 0$  or  $1$ ), which enables or disables the output and input drivers. A port pin can only be configured as either input or output at any one time.

In input mode (default after reset), the output driver is switched off (high-impedance). The voltage level present at the port pin is translated into a logical 0 or 1 via a Schmitt trigger device and can be read via the register  $Px\_DATA$ .

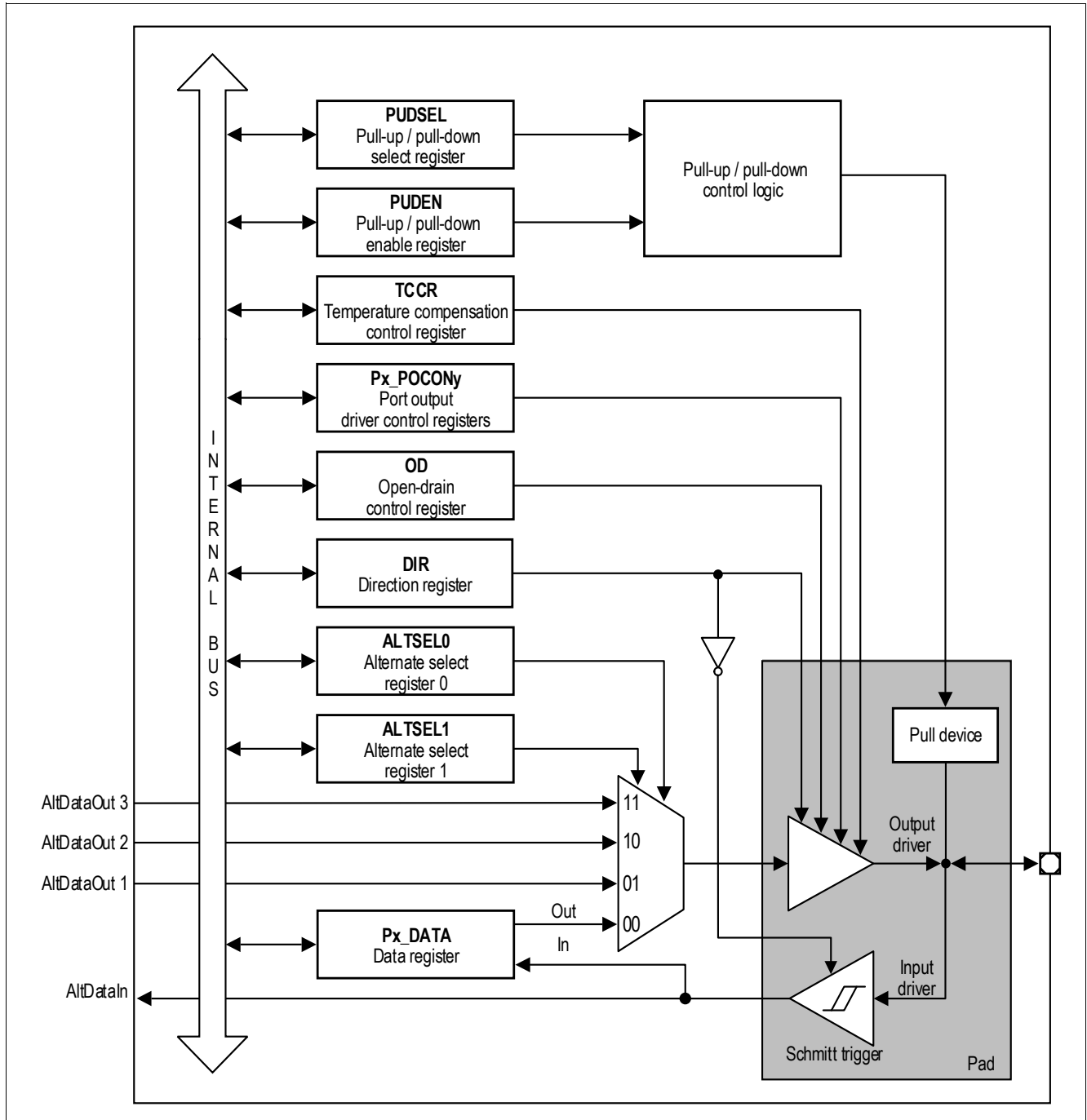
In output mode, the output driver is activated and drives the value supplied through the multiplexer to the port pin. In the output driver, each port line can be switched to open-drain mode or normal mode (push-pull mode) via the register  $Px\_OD$ .

The output multiplexer in front of the output driver enables the port output function to be used for different purposes. If the pin is used for general-purpose output, the multiplexer is switched by software to the data register  $Px\_DATA$ . Software can set or clear the bit in  $Px\_DATA$  and therefore directly influence the state of the port pin. If an on-chip peripheral uses the pin for output signals, alternate output lines (AltDataOut) can be switched via the multiplexer to the output driver circuitry. Selection of the alternate output function is defined

**GPIO ports and peripheral I/O**

in registers Px\_ALTSEL0 and Px\_ALTSEL1. When a port pin is used in an alternate function, its direction must be set accordingly in the register Px\_DIR.

Each pin can also be programmed to activate an internal weak pull-up or pull-down device. Register Px\_PUDESSEL selects whether a pull-up or pull-down device is activated, while register Px\_PUDESLEN enables or disables the pull device.

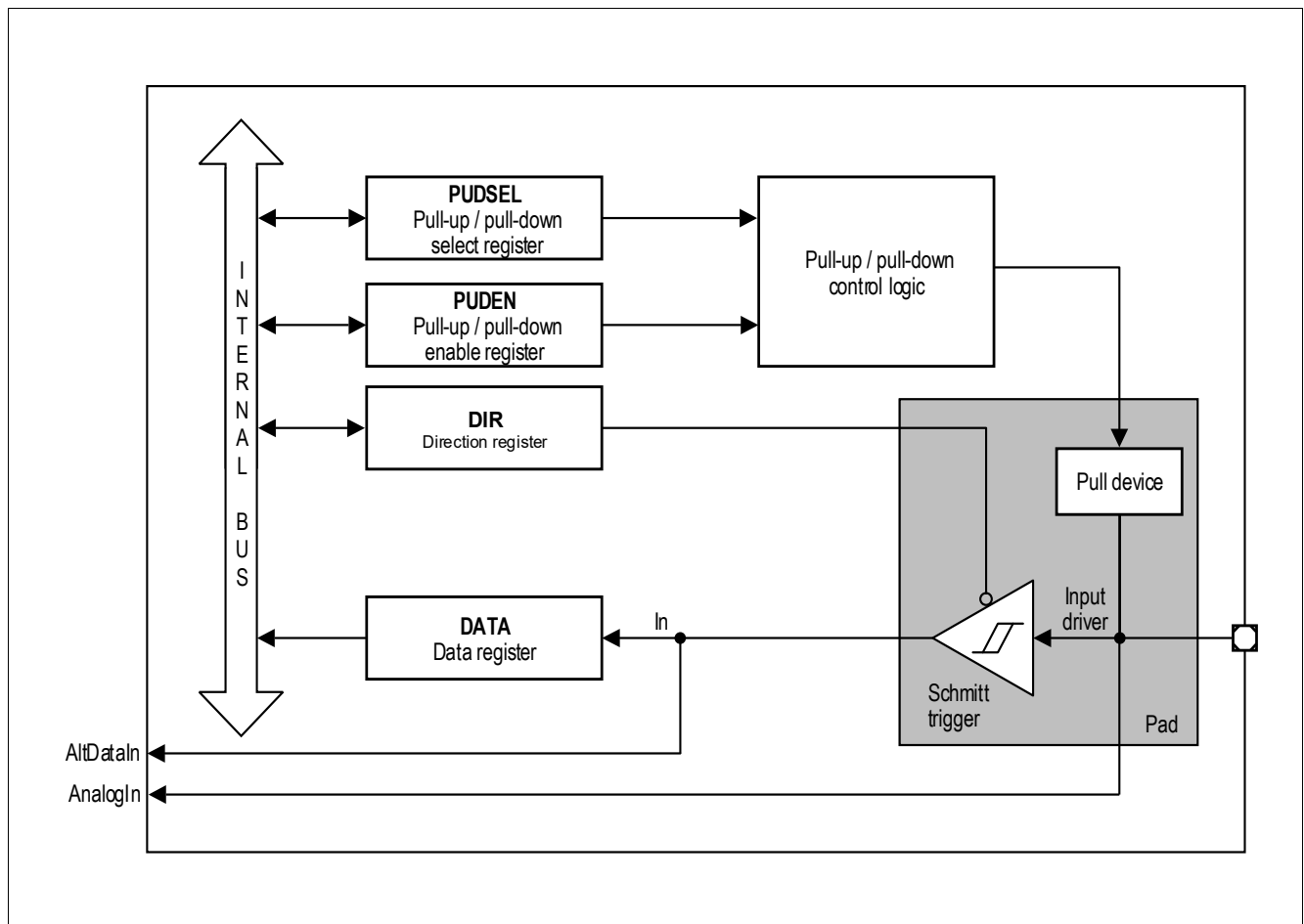


**Figure 16** General structure of a bidirectional port (P0, P1)

**GPIO ports and peripheral I/O**

**14.2.2 Port 2**

**Figure 17** shows the structure of an input-only port pin. Each P2 pin can only function in input mode. Register P2\_DIR is provided to enable or disable the input driver. When the input driver is enabled, the actual voltage level present at the port pin is translated into a logic 0 or 1 via a Schmitt trigger device and can be read via register P2\_DATA. Each pin can also be programmed to activate an internal weak pull-up or pull-down device. Register P2\_PUDSEL selects whether a pull-up or the pull-down device is activated, while register P2\_PUDEN enables or disables the pull device. The analog input (AnalogIn) bypasses the digital circuitry and Schmitt trigger device for direct feed-through to the ADC input channels.



**Figure 17 General structure of input port (P2)**

## GPIO ports and peripheral I/O

## 14.3 TLE9877QTW40 port module

## 14.3.1 Port 0

## 14.3.1.1 Port 0 functions

Table 8 Port 0 input/output functions

Port pin	Input/output	Select	Connected signals	From/to module	
P0.0	Input	GPI	P0_DATA.P0	–	
		INP1	SWCLK / TCK_0	SW	
		INP2	T12HR_0	CCU6	
		INP3	T4INA	GPT12T4	
		INP4	T2_0	Timer2	
		INP5	–	–	
		INP6	EXINT2_3	SCU	
	Output	GPO	P0_DATA.P0	–	
		ALT1	T3OUT	GPT12T3	
		ALT2	EXF21_0	Timer 21	
		ALT3	RXDO_2	UART2	
	P0.1	Input	GPI	P0_DATA.P1	–
			INP1	T13HR_0	CCU6
			INP2	TxD1	LIN_TxD
INP3			CAPINA	GPT12CAP	
INP4			T21_0	Timer21	
INP5			T4INC	GPT12T4	
INP6			MRST_1_2	SSC1	
INP7			EXINT0_2	SCU	
Output		GPO	P0_DATA.P1	–	
		ALT1	TxD1	UART1 / LIN_TxD	
		ALT2	–	–	
		ALT3	T6OUT	GPT12T6	



## GPIO ports and peripheral I/O

**Table 8** Port 0 input/output functions (cont'd)

Port pin	Input/output	Select	Connected signals	From/to module
P0.2	Input	GPI	P0_DATA.P2	–
		INP1	CCPOS2_1	CCU6
		INP2	T2EUDA	GPT12T2
		INP3	MTSR_1	SSC1
		INP4	T21EX_0	Timer21
		INP5	T6INA	GPT12T6
	Output	GPO	P0_DATA.P2	–
		ALT1	COOUT60_0	CCU6
		ALT2	MTSR_1	SSC1
		ALT3	EXF2_0	Timer2
	P0.3	Input	GPI	P0_DATA.P3
INP1			SCK_1	SSC1
INP2			CAPINB	GPT12
INP3			T5INA	GPT12T5
INP4			T4EUDA	GPT12T4
INP5			CCPOS0_1	CCU6
Output		GPO	P0_DATA.P3	–
		ALT1	SCK_1	SSC1
		ALT2	EXF21_2	Timer21
		ALT3	T6OUT	GPT12T6
P0.4		Input	GPI	P0_DATA.P4
	INP1		MRST_1_0	SSC1
	INP2		CC60_0	CCU6
	INP3		T21_2	Timer21
	INP4		EXINT2_2	SCU
	INP5		T3EUDA	GPT12T3
	INP6		CCPOS1_1	CCU6
	Output	GPO	P0_DATA.P4	–
		ALT1	MRST_1_0	SSC1
		ALT2	CC60_0	CCU6
		ALT3	CLKOUT_0	SCU

## GPIO ports and peripheral I/O

## 14.3.2 Port 1

## 14.3.2.1 Port 1 functions

Table 9 Port 1 input/output functions

Port pin	Input/output	Select	Connected signals	From/to module
P1.0	Input	GPI	P1_DATA.P0	–
		INP1	T3INC	GPT12T3
		INP2	T4EUDB	GPT12T4
		INP3	CC61_0	CCU6
		INP4	SCK_2	SSC2
		INP5	EXINT1_2	SCU
	Output	GPO	P1_DATA.P0	–
		ALT1	SCK_2	SSC2
		ALT2	CC61_0	CCU6
		ALT3	EXF21_3	Timer21
P1.1	Input	GPI	P1_DATA.P1	–
		INP1	–	–
		INP2	T6EUDA	GPT12T6
		INP3	–	–
		INP4	MTSR_2	SSC2
		INP5	T21_1	Timer21
		INP6	EXINT1_0	SCU
	Output	GPO	P1_DATA.P1	–
		ALT1	MTSR_2	SSC2
		ALT2	COOUT61_0	CCU6
ALT3		TXD2_0	UART2	
P1.2	Input	GPI	P1_DATA.P2	–
		INP1	T2INA	GPT12T2
		INP2	T2EX_1	Timer2
		INP3	T21EX_3	Timer21
		INP4	MRST_2_0	SSC2
		INP5	RXD2_0	UART2
		INP6	CCPOS2_2	CCU6
		INP7	EXINT0_1	SCU
	Output	GPO	P1_DATA.P2	–
		ALT1	MRST_2_0	SSC2
		ALT2	COOUT63_0	CCU6
ALT3		T3OUT	GPT12T3	

## GPIO ports and peripheral I/O

**Table 9** Port 1 input/output functions (cont'd)

Port pin	Input/output	Select	Connected signals	From/to module	
P1.3	Input	GPI	P1_DATA.P3	–	
		INP1	T6INB	GPT12T6	
		INP2	–	–	
		INP3	CC62_0	CCU6	
		INP4	T6EUDB	GPT12T6	
		INP5	–	–	
		INP6	CCPOS0_2	CCU6	
		INP7	EXINT1_1	SCU	
	Output	GPO	P1_DATA.P3	–	
		ALT1	EXF21_1	Timer21	
		ALT2	CC62_0	CCU6	
		ALT3	TXD2_1	UART2	
	P1.4	Input	GPI	P1_DATA.P4	–
			INP1	EXINT2_1	SCU
INP2			T21EX_1	Timer21	
INP3			T5EUDA	GPT12T5	
INP4			RxD1	UART1	
INP5			T2INB	GPT12T2	
INP6			CCPOS1_2	CCU6	
INP7			MRST_1_3	SSC1	
Output		GPO	P1_DATA.P4	–	
		ALT1	CLKOUT_1	SCU	
		ALT2	COU62_0	CCU6	
		ALT3	RxD1	UART1 / LIN_RxD	

## GPIO ports and peripheral I/O

## 14.3.3 Port 2

## 14.3.3.1 Port 2 functions

Table 10 Port 2 input functions

Port pin	Input/output	Select	Connected signals	From/to module
P2.0	Input	GPI	P2_DATA.P0	–
		INP1	CCPOS0_3	CCU6
		INP2	-	–
		INP3	T12HR_2	CCU6
		INP4	EXINT0_0	SCU
		INP5	CC61_2	CCU6
		ANALOG	AN0	ADC1
			XTAL (in)	XTAL
P2.2	Input	GPI	P2_DATA.P2	–
		INP1	CCPOS2_3	CCU6
		INP2	T13HR_2	CCU6
		INP3	–	–
		INP4	CC62_2	CCU6
		ANALOG	AN2	ADC1
		OUT	XTAL (out)	XTAL
P2.3	Input	GPI	P2_DATA.P3	–
		INP1	CCPOS1_0	CCU6
		INP2	CTRAP#_1	CCU6
		INP3	T21EX_2	Timer21
		INP4	CC60_1	CCU6
		INP5	EXINT0_3	SCU
		ANALOG	AN3	ADC1
P2.4	Input	GPI	P2_DATA.P4	–
		INP1	CTRAP#_0	CCU6
		INP2	T2EUDB	GPT12T2
		INP3	MRST_1_1	SSC1
		INP4	EXINT1_3	SCU
		ANALOG	AN4	ADC1

---

**GPIO ports and peripheral I/O**
**Table 10 Port 2 input functions (cont'd)**

Port pin	Input/output	Select	Connected signals	From/to module
P2.5	Input	GPI	P2_DATA.P5	-
		INP1	RXD2_1	UART2
		INP2	T3EADB	GPT12T3
		INP3	MRST_2_1	SSC2
		INP4	T2_1	Timer 2
		ANALOG	AN5	ADC1

---

**General-purpose timer units (GPT12)****15 General-purpose timer units (GPT12)****15.1 Features****15.1.1 Features of block GPT1**

The following list summarizes the supported features:

- $f_{\text{GPT}}$  is derived from PCLK
- $f_{\text{GPT}}/4$  maximum resolution
- 3 independent timers/counters
- Timers/counters can be concatenated
- 4 Operating modes:
  - Timer mode
  - Gated Timer mode
  - Counter mode
  - Incremental Interface mode
- Reload and capture functionality
- Shared interrupt: node 0

**15.1.2 Features of block GPT2**

The following list summarizes the supported features:

- $f_{\text{GPT}}$  is derived from PCLK
- $f_{\text{GPT}}/2$  maximum resolution
- 2 independent timers/counters
- Timers/counters can be concatenated
- 3 Operating modes:
  - Timer mode
  - Gated Timer mode
  - Counter mode
- Extended capture/reload functions via 16-bit capture/reload register CAPREL
- Shared interrupt: node 1

---

**General-purpose timer units (GPT12)****15.2 Introduction**

The general-purpose timer unit blocks GPT1 and GPT2 have very flexible multifunctional timer structures which may be used for timing, event counting, pulse-width measurement, pulse generation, frequency multiplication, and other purposes.

They incorporate five 16-bit timers that are grouped into the two timer blocks GPT1 and GPT2. Each timer in each block may operate independently in a number of different modes such as Gated Timer or Counter mode, or may be concatenated with another timer of the same block.

Each block has alternate input/output functions and specific interrupts associated with it. Input signals can be selected from several sources through the PISEL register.

The GPT module is clocked with clock  $f_{\text{GPT}}$ .  $f_{\text{GPT}}$  is a clock derived from PCLK.

General-purpose timer units (GPT12)

15.2.1 Block diagram of GPT1

The **GPT1 block** contains three timers/counters: The core timer T3 and the two auxiliary timers T2 and T4. The maximum resolution is  $f_{GPT}/4$ . The auxiliary timers of GPT1 may optionally be configured as reload or capture registers for the core timer.

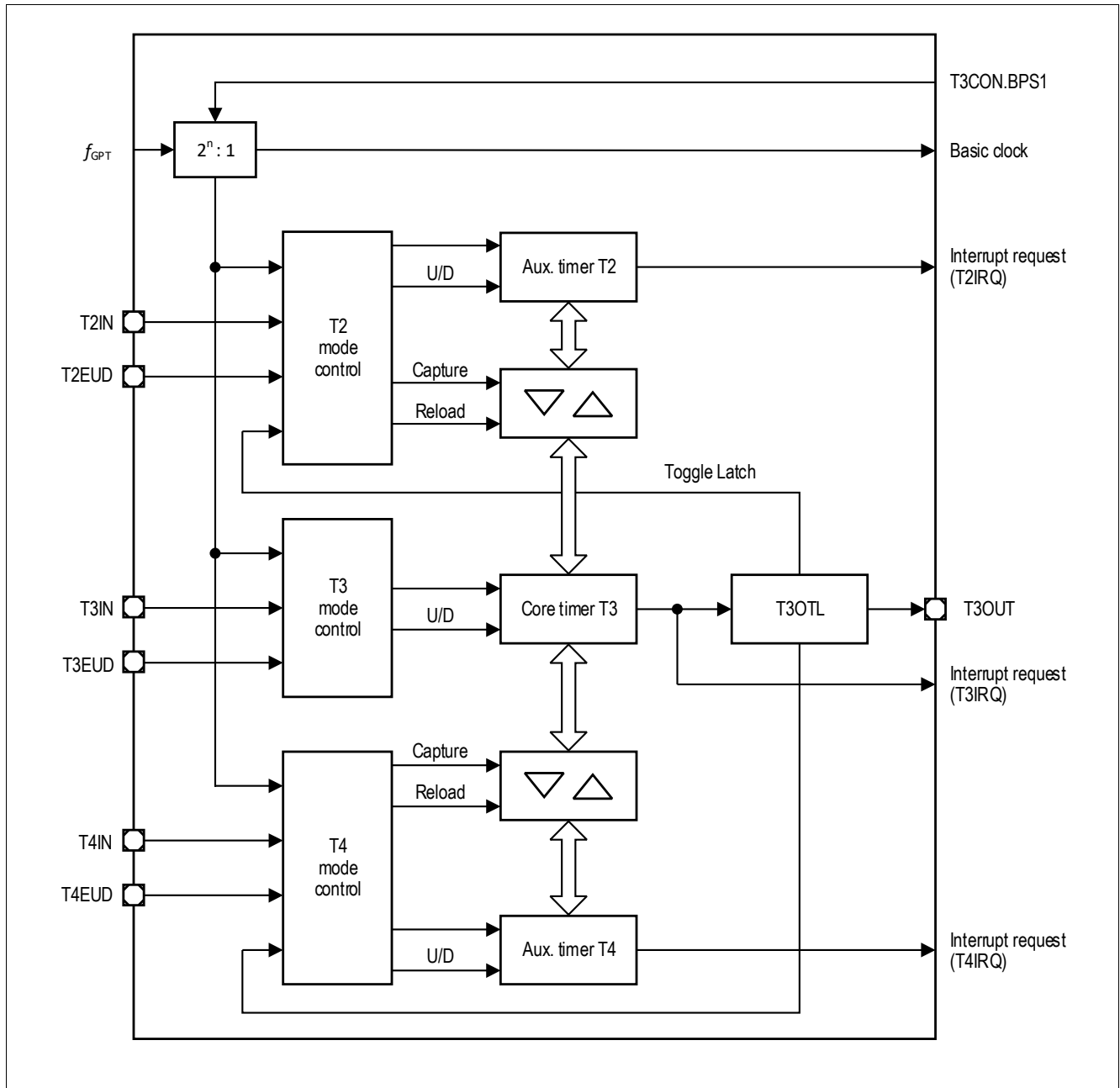


Figure 18 GPT1 block diagram (n = 2 ... 5)



General-purpose timer units (GPT12)

15.2.2 Block diagram of GPT2

The GPT2 block contains two timers/counters: The core timer T6 and the auxiliary timer T5. The maximum resolution is  $f_{GPT}/2$ . An additional capture/reload register (CAPREL) supports capture and reload operation with extended functionality.

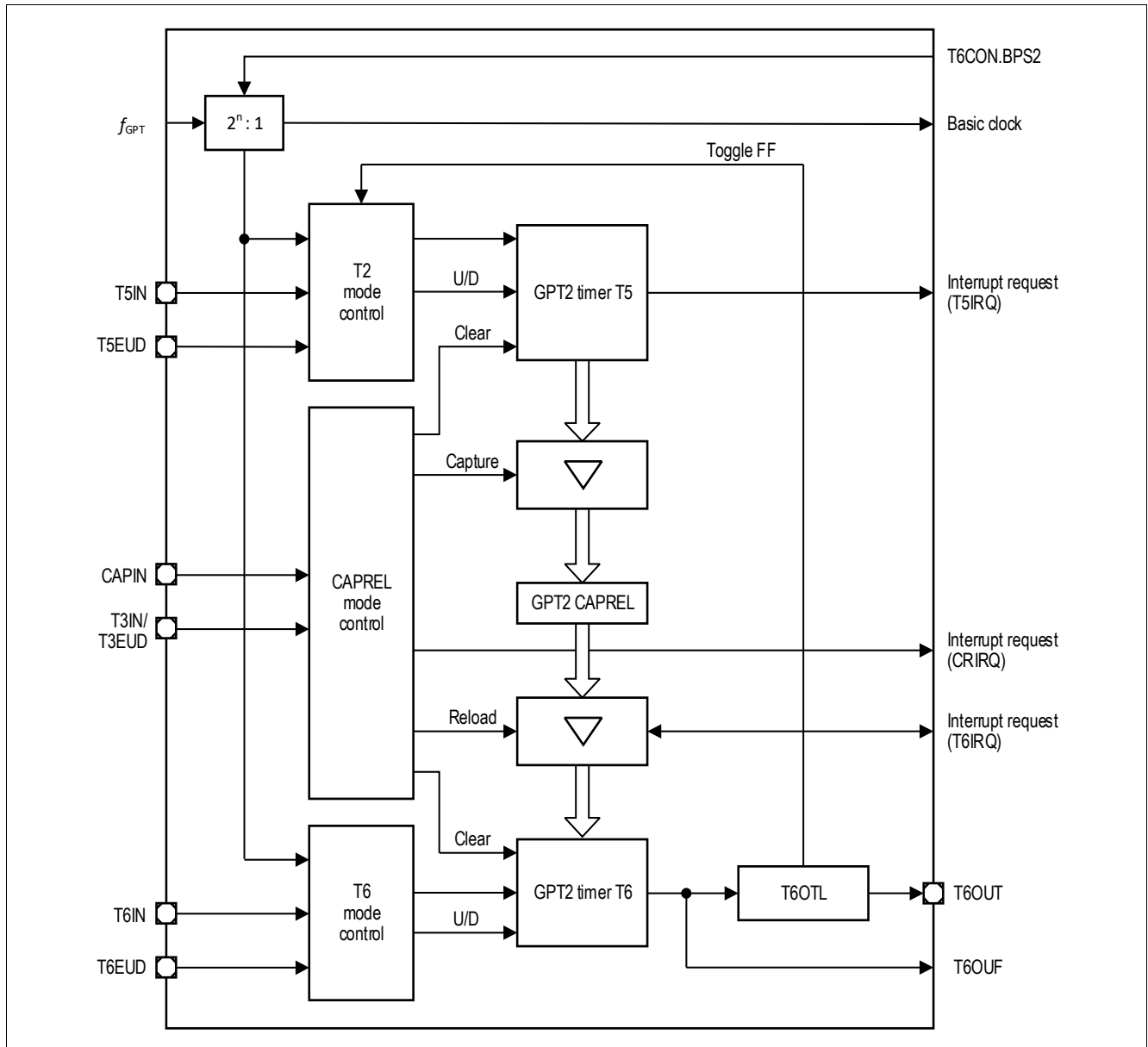


Figure 19 GPT2 block diagram (n = 1 ... 4)

---

**Timer2 and Timer21**

## 16 Timer2 and Timer21

### 16.1 Features

- 16-bit auto-reload mode
  - Selectable up- or down-counting
- One-channel 16-bit capture mode

### 16.2 Introduction

The timer modules are general-purpose 16-bit timers. Timer 2 and Timer 21 can function as timers or counters in each of their modes. As timers, they count with an input clock of  $f_{PCLK}/12$  (if the prescaler is disabled). As a counter, Timer2 counts 1-to-0 transitions on pin T2. In the counter mode, the maximum resolution for counting is  $f_{PCLK}/24$  (if the prescaler is disabled).

#### 16.2.1 Timer2 and Timer21 mode overview

**Table 11** Timer2 and Timer21 modes

Mode	Description
Auto-reload	<b>Up/down-count-disabled</b> <ul style="list-style-type: none"> <li>• Counting up only.</li> <li>• Counting starts from the 16-bit reload value, overflow at <math>FFFF_H</math>.</li> <li>• The reload event can be configured to be triggered only by the overflow condition or by a negative or positive edge at the input pin T2EX as well.</li> <li>• Programmable reload value in register RC2.</li> <li>• Interrupt is generated with reload events.</li> </ul>

---

**Timer2 and Timer21**
**Table 11**    **Timer2 and Timer21 modes** (cont'd)

Mode	Description
<b>Auto-reload</b>	<p data-bbox="424 342 1466 387"><b>Up/down-count-enabled</b></p> <ul style="list-style-type: none"> <li data-bbox="424 387 1466 432">• Counting up or down, direction determined by level at input pin T2EX.</li> <li data-bbox="424 432 1466 477">• No interrupt is generated.</li> <li data-bbox="424 477 1466 521">• Counting up <ul style="list-style-type: none"> <li data-bbox="472 521 1466 566">– Counting starts from the 16-bit reload value, overflow at FFFF<sub>H</sub>.</li> <li data-bbox="472 566 1466 611">– Reload event triggered by overflow condition.</li> <li data-bbox="472 611 1466 656">– Programmable reload value in register RC2.</li> </ul> </li> <li data-bbox="424 656 1466 701">• Counting down <ul style="list-style-type: none"> <li data-bbox="472 701 1466 745">– Counting starts from FFFF<sub>H</sub>, underflow at value defined in register RC2.</li> <li data-bbox="472 745 1466 790">– Reload event triggered by underflow condition.</li> <li data-bbox="472 790 1466 835">– Reload value fixed at FFFF<sub>H</sub>.</li> </ul> </li> </ul>
<b>Channel capture</b>	<ul style="list-style-type: none"> <li data-bbox="424 842 1466 887">• Counting up only.</li> <li data-bbox="424 887 1466 931">• Counting starts from 0000<sub>H</sub>, overflow at FFFF<sub>H</sub>.</li> <li data-bbox="424 931 1466 976">• Reload event triggered by overflow condition.</li> <li data-bbox="424 976 1466 1021">• Reload value fixed at 0000<sub>H</sub>.</li> <li data-bbox="424 1021 1466 1066">• Capture event triggered by falling/rising edge at pin T2EX.</li> <li data-bbox="424 1066 1466 1111">• Captured timer value stored in register RC2.</li> <li data-bbox="424 1111 1466 1155">• Reload or capture events generate interrupts.</li> </ul>

---

**Timer3**

## 17 Timer3

### 17.1 Features

- 16-bit incremental timer/counter (counting up)
- Counting frequency up to  $f_{\text{sys}}$
- Selectable clock prescaler
- Six operating modes
- Interrupt on overflow
- Interrupt on compare

### 17.2 Introduction

The possible applications for this timer include measuring the time interval between events, counting events, and generating a signal at regular intervals.

Timer3 can function as a timer or a counter. When functioning as a timer, Timer3 is incremented in periods based on the MI\_CLK or LP\_CLK clocks. When functioning as a counter, Timer3 is incremented in response to a 1-to-0 transition (falling edge) at its configured input. Timer3 can be configured in four different operating modes for a variety of applications (see [Table 12](#)).

The different operating modes allow the timer to be used for tasks such as:

- Simple measurements of the times between two events.
- Triggering the measuring unit upon PWM/CCU6 unit
- Measurement of the 100 kHz LP\_CLK2

### 17.3 Functional description

Six modes of operation are provided to enable using this timer for various tasks. In every mode, the clocking source can be selected from MI\_CLK and LP\_CLK. In addition, a prescaler provides the capability to divide the selected clock source by 2, 4, or 8. The timer counts upwards, starting with the value in the timer count registers, up to the maximum count value, which depends on the selected mode of operation. Timer 3 provides two individual interrupts on counter overflow, one for the low-byte and one for the high-byte counter register.

#### 17.3.1 Timer3 modes overview

The following table provides an overview of the timer modes together with the reasonable configuration options in [Table 12](#).

**Table 12** Timer3 modes

Mode	Submode	Operation
0	No submode	<b>13-bit timer</b> The timer essentially operates an 8-bit counter with a divide-by-32 prescaler.
1	a	<b>16-bit timer</b> The timer registers, TL3 and TH3, are concatenated to form a 16-bit counter.

---

**Timer3**
**Table 12** Timer3 modes (cont'd)

Mode	Submode	Operation
1	b	<b>16-bit timer triggered by an event</b> The timer registers, TL3 and TH3, are concatenated to form a 16-bit counter, which is triggered by an event to enable a single-shot measurement on a preset channel with the measurement unit.
2	No submode	<b>8-bit timer with auto-reload</b> The timer register TL3 is reloaded with a user-defined 8-bit value in TH3 on overflow.
3	a	<b>Timer3 operating as two 8-bit timers</b> The timer registers TL3 and TH3, operate as two separate 8-bit counters.
3	b	<b>Timer3 operating as two 8-bit timers for clock measurement</b> The timer registers, TL3 and TH3, operate as two separate 8-bit counters. In this mode, the LP_CLK2 low power clock can be measured. TL3 acts as an edge counter for the clock edges and TH3 measures the interval between the edges.

## 18 Capture/compare unit 6 (CCU6)

### 18.1 Feature set overview

This section gives an overview over the different building blocks and their main features.

#### Timer 12 block features

- Three capture/compare channels. Each channel can be used either as capture or as compare channel.
- Supports three-phase PWM (six outputs with separate signals for high-side and low-side switches).
- 16-bit resolution, maximum count frequency = peripheral clock.
- Dead-time control for each channel to avoid short-circuits in the power stage.
- Concurrent update of the T12 registers.
- Center-aligned and edge-aligned PWM can be generated.
- Single-shot mode is supported.
- Start can be controlled by external events.
- External events can be counted.
- Multiple interrupt request sources.
- Hysteresis-like control mode.

#### Timer 13 block features

- One independent compare channel with one output.
- 16-bit resolution, maximum count frequency = peripheral clock.
- Concurrent update of T13 registers.
- Can be synchronized to T12.
- Interrupt generation at period-match and compare-match.
- Single-shot mode is supported.
- Start can be controlled by external events.
- Capability of counting external events.

#### Additional specific functions

- Block commutation for brushless DC-drives implemented.
- Position detection via hall-sensor pattern.
- Noise filter for position input signals supported.
- Automatic rotational speed measurement and commutation control for block commutation.
- Integrated error handling.
- Fast emergency stop without CPU load via external signal ( $\overline{\text{CTRAP}}$ ).
- Control modes for multi-channel AC drives.
- Output levels can be selected and adapted to the power stage.

---

**Capture/compare unit 6 (CCU6)****18.2 Introduction**

The CCU6 unit is made up of the T12 timer block with three capture/compare channels and the T13 timer block with one compare channel. The T12 channels can independently generate PWM signals or accept capture triggers, or they can jointly generate control signal patterns to drive DC motors or inverters.

A rich set of status bits, synchronized updating of parameter values via shadow registers, and flexible generation of interrupt request signals provide efficient software control.

*Note: The capture/compare module itself is referred to as CCU6 (capture/compare unit 6). A capture/compare channel inside this module is referred to as CC6x.*

The timer T12 can work in capture and/or compare mode for its three channels. The modes can also be combined (e.g., a channel works in compare mode, whereas another channel works in capture mode). The timer T13 can work only in compare mode. The multi-channel control unit generates output patterns which can be modulated by T12 and/or T13. The modulation sources can be selected and combined for modulating signals.

Capture/compare unit 6 (CCU6)

18.2.1 Block diagram

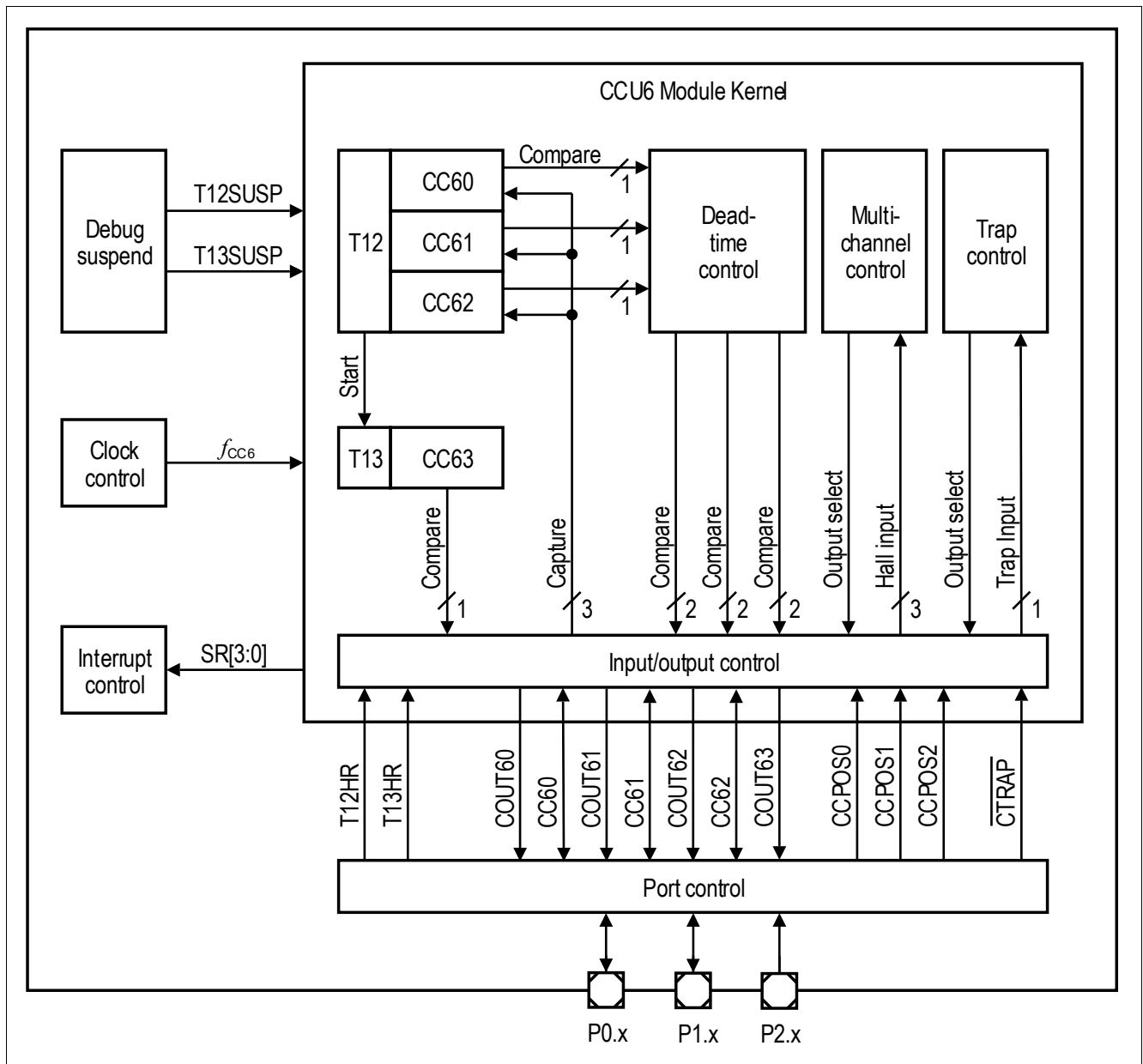


Figure 20 CCU6 block diagram



## UART1/UART2

### 19 UART1/UART2

The description in this chapter applies to both UART1 and UART2.

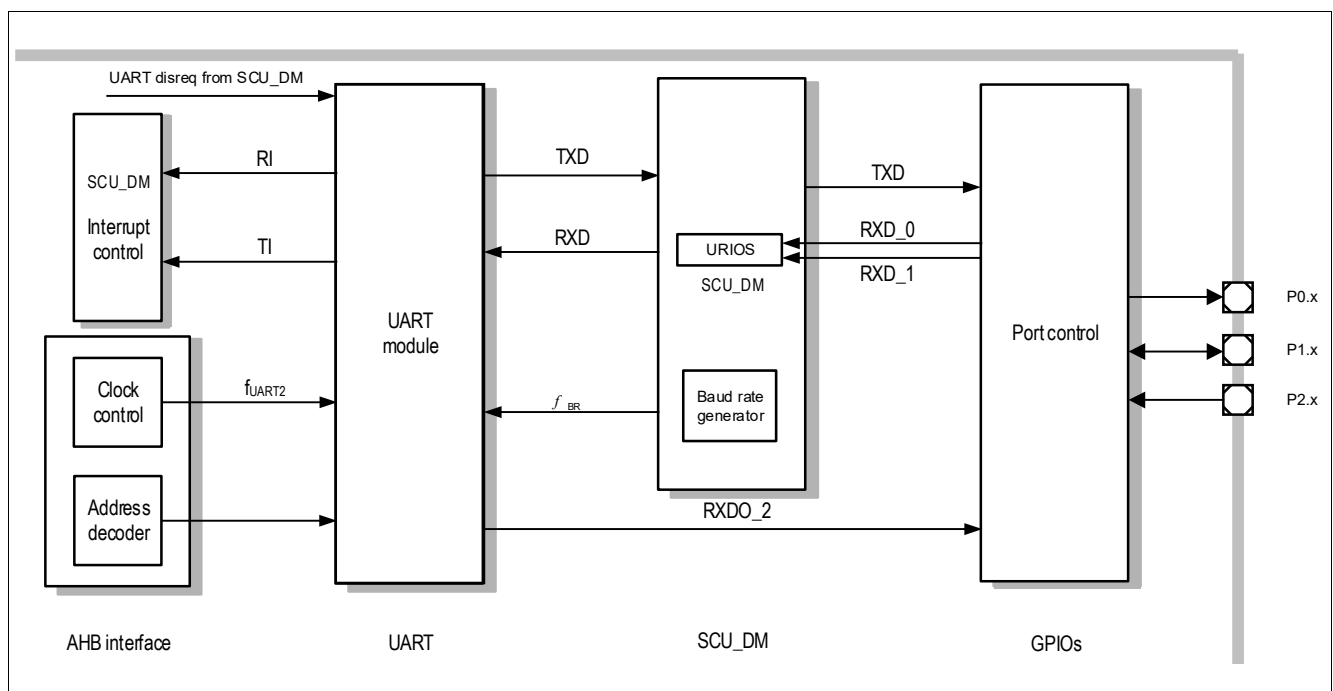
#### 19.1 Features

- Full-duplex asynchronous modes
  - 8-bit or 9-bit data frames, LSB first.
  - Fixed or variable baud rate.
- Receive-buffered.
- Multiprocessor communication.
- Interrupt are generated when data transmission or receptions are complete.
- Baud-rate generator with fractional divider for generating a wide range of baud rates.
- Hardware logic for break and synch byte detection.

#### 19.2 Introduction

The UART provides a full-duplex asynchronous receiver/transmitter, i.e., it can transmit and receive simultaneously. It is also receive-buffered, i.e., it can commence reception of a second byte before a previously received byte has been read from the receive register. However, if the first byte still has not been read by the time when the reception of the second byte is complete, one of the bytes will be lost. The serial port receive and transmit registers are both accessed through the special function register (SFR) SBUF. Writing to SBUF loads the transmit register, and reading SBUF accesses a physically separate receive register.

##### 19.2.1 Block diagram



**Figure 21** UART block diagram

---

**UART1/UART2**
**19.3 UART modes**

The UART can be used in four different modes. In mode 0, it operates as an 8-bit shift register. In mode 1, it operates as an 8-bit serial port. In modes 2 and 3, it operates as a 9-bit serial port. The only difference between mode 2 and mode 3 is the baud rate, which is fixed in mode 2 but variable in mode 3. The variable baud rate is set by the underflow rate on the dedicated baud-rate generator.

The different modes are selected by setting bits SM0 and SM1 to the appropriate values, as shown in [Table 13](#).

**Table 13 UART modes**

SM0	SM1	Operating mode	Baud rate
0	0	Mode 0: 8-bit shift register	$f_{PCLK}/2$
0	1	Mode 1: 8-bit shift UART	Variable
1	0	Mode 2: 9-bit shift UART	$f_{PCLK}/64$
1	1	Mode 3: 9-bit shift UART	Variable

UART1 is connected to the integrated LIN transceiver, and to GPIO for test purposes. UART2 is connected to GPIO only.

---

**LIN transceiver****20 LIN transceiver****20.1 Features****General functional features**

- Compliant with the LIN2.2 standard, backward-compatible with LIN1.3, LIN2.0, and LIN 2.1
- Compliant with SAE J2602 (slew rate, receiver hysteresis)

**Special features**

- Measurement of the LIN master baudrate via Timer2
- LIN can be used as input/output with SFR bits
- TxD timeout feature (optional, on by default)

**Operation mode features**

- LIN Sleep mode (LSLM)
- LIN Receive-Only mode (LROM)
- LIN Normal mode (LNM)
- High voltage input/output mode (LHVIO)

**Supported baud rates**

- Mode for transmission with up to 10.4 kilobaud
- Mode for transmission with up to 20 kilobaud
- Mode for transmission with up to 40 kilobaud
- Mode for transmission with up to 115.2 kilobaud

**Slope mode features**

- Normal Slope mode (20 kbit/s)
- Low Slope mode (10.4 kbit/s)
- Flash mode (115.2 kbit/s)

**Wake-up features**

- LIN bus wake-up

**20.2 Introduction**

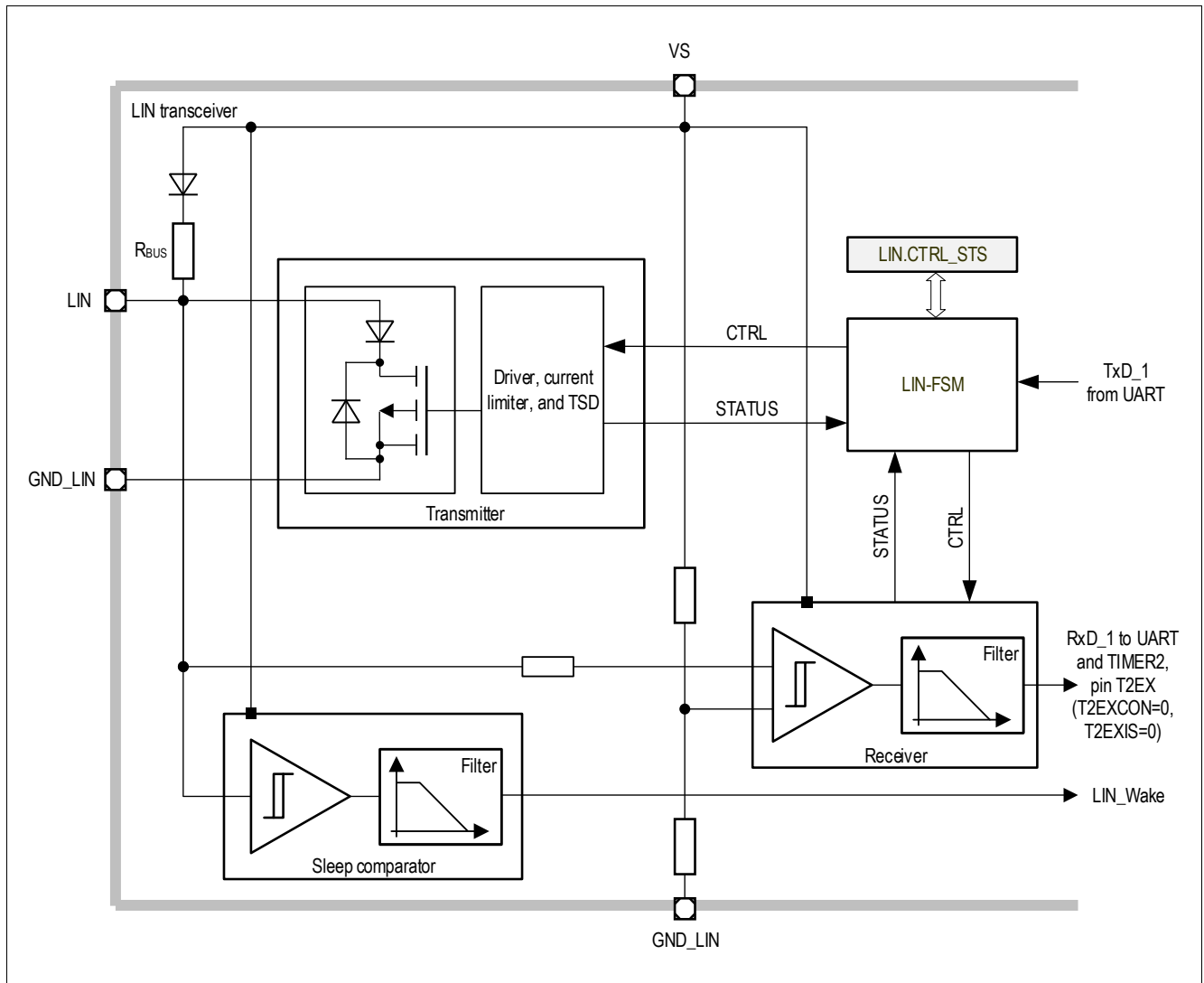
The LIN module is a transceiver for the Local Interconnect Network (LIN), compliant with the LIN2.2 standard and backward-compatible with LIN1.3, LIN2.0 and LIN2.1. It operates as a bus driver between the protocol controller and the physical network. The LIN bus is a single-wire, bidirectional bus typically used for in-vehicle networks, using baud rates between 2.4 kilobaud and 20 kilobaud. Additionally, baud rates up to 115.2 kilobaud are implemented.

The LIN module offers several different operation modes, including a LIN Sleep mode and the LIN Normal mode. The integrated slope control allows using several data transmission rates with optimized EMC performance. For data transfer at the end of line, a Flash mode up to 115.2 kilobaud is implemented. In

**LIN transceiver**

specific conditions, this Flash mode supports data rates of up to 250 kbit/s. (In production environments, in point-to-point communications with reduced wire lengths and limited supply voltages.)

**20.2.1 Block diagram**



**Figure 22 LIN transceiver block diagram**

## **21 High-speed synchronous serial interface (SSC1/SSC2)**

### **21.1 Features**

- Master and Slave mode operation
  - Full-duplex or half-duplex operation
- Transmit- and receive-buffered
- Flexible data format
  - Programmable number of data bits: 2 to 16 bits
  - Programmable shift direction: least significant bit (LSB) or most significant bit (MSB) shift first
  - Programmable clock polarity: idle low or high state for the shift clock
  - Programmable clock/data phase: data shift with leading or trailing edge of the shift clock
- Variable baud rate
- Compatible with Serial Peripheral Interface (SPI)
- Interrupt generation
  - On a “transmitter empty” condition
  - On a “receiver full” condition
  - On an error condition (receive, phase, baud rate, or transmission error)

High-speed synchronous serial interface (SSC1/SSC2)

21.2 Introduction

The high-speed synchronous serial interface (SSC) supports both full-duplex and half-duplex serial synchronous communication. The serial clock signal can be generated by the SSC internally (Master mode), using its own 16-bit baud rate generator, or can be received from an external master (Slave mode). Data width, shift direction, clock polarity, and phase are programmable. This allows communication with SPI-compatible devices as well as devices using other synchronous serial interfaces.

Data is transmitted or received on the TXD and RXD lines, which are normally connected to the MTSR (Master Transmit, Slave Receive) and MRST (Master Receive, Slave Transmit) pins. The clock signal is output via the MS\_CLK (Master Serial Shift Clock) line or input via the SS\_CLK (Slave Serial Shift Clock) line. Both lines are normally connected to the SCLK pin. Transmission and reception of data are double-buffered.

21.2.1 Block diagram

Figure 23 shows all functionally relevant interfaces associated with the SSC kernel.

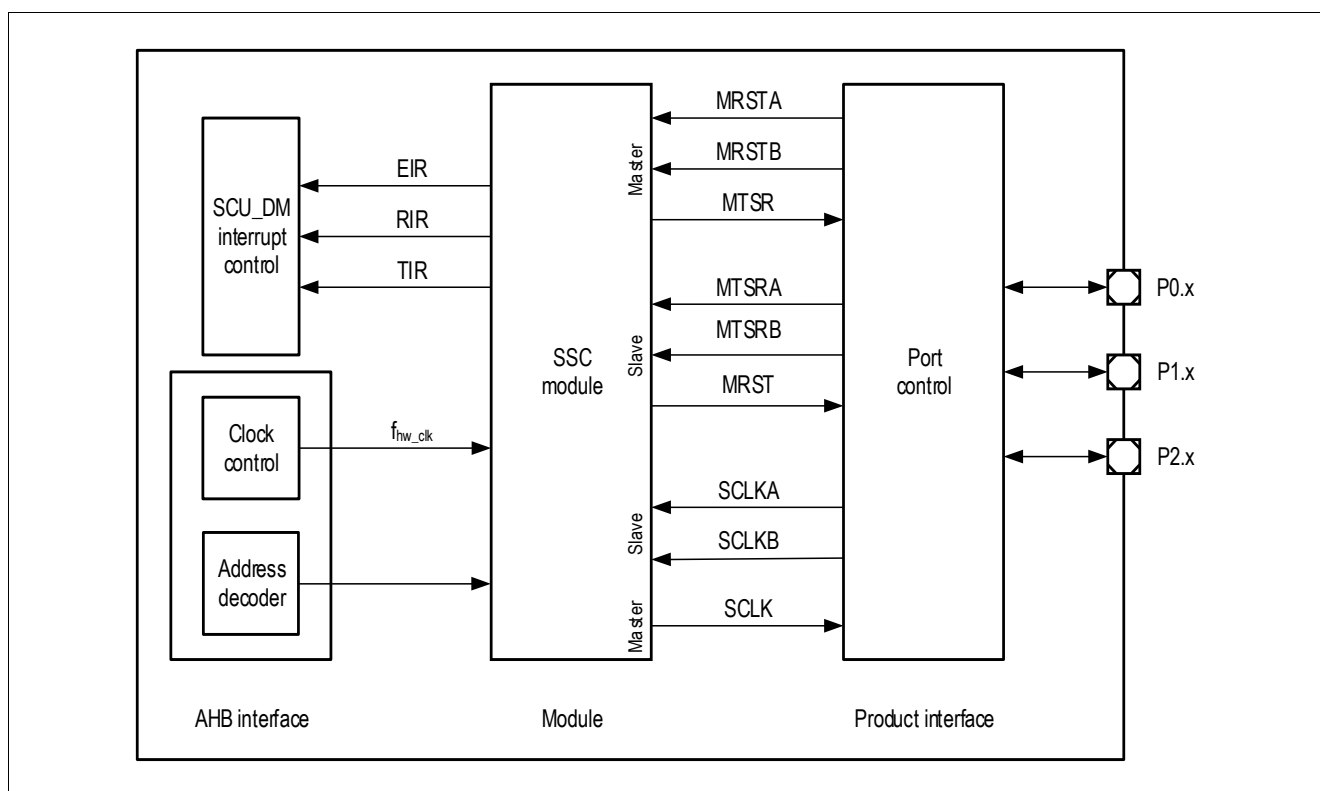


Figure 23 SSC interface diagram

---

**Measurement unit**

## 22 Measurement unit

### 22.1 Features

- 1 x 8-bit ADC with 10 inputs. Attenuators allow measuring high-voltage input signals.
- Supply voltage attenuators for attenuating **VS**, **VDDP** and **VDDC**.
- VBG monitoring of the 8-bit ADC to guarantee functional safety requirements.
- Bridge driver diagnosis measurement (VDH, VCP).
- Temperature sensor for monitoring the chip temperature and PMU regulator temperature.
- BEMF comparators for triggering commutation in BLDC applications.
- Supplement block with reference voltage generation, bias current generation, voltage buffer for NVM reference voltage, voltage buffer for analog module reference voltage, and a test interface.

### 22.2 Introduction

The measurement unit is a functional unit that comprises the following submodules:

**Table 14 Measurement functions and associated modules**

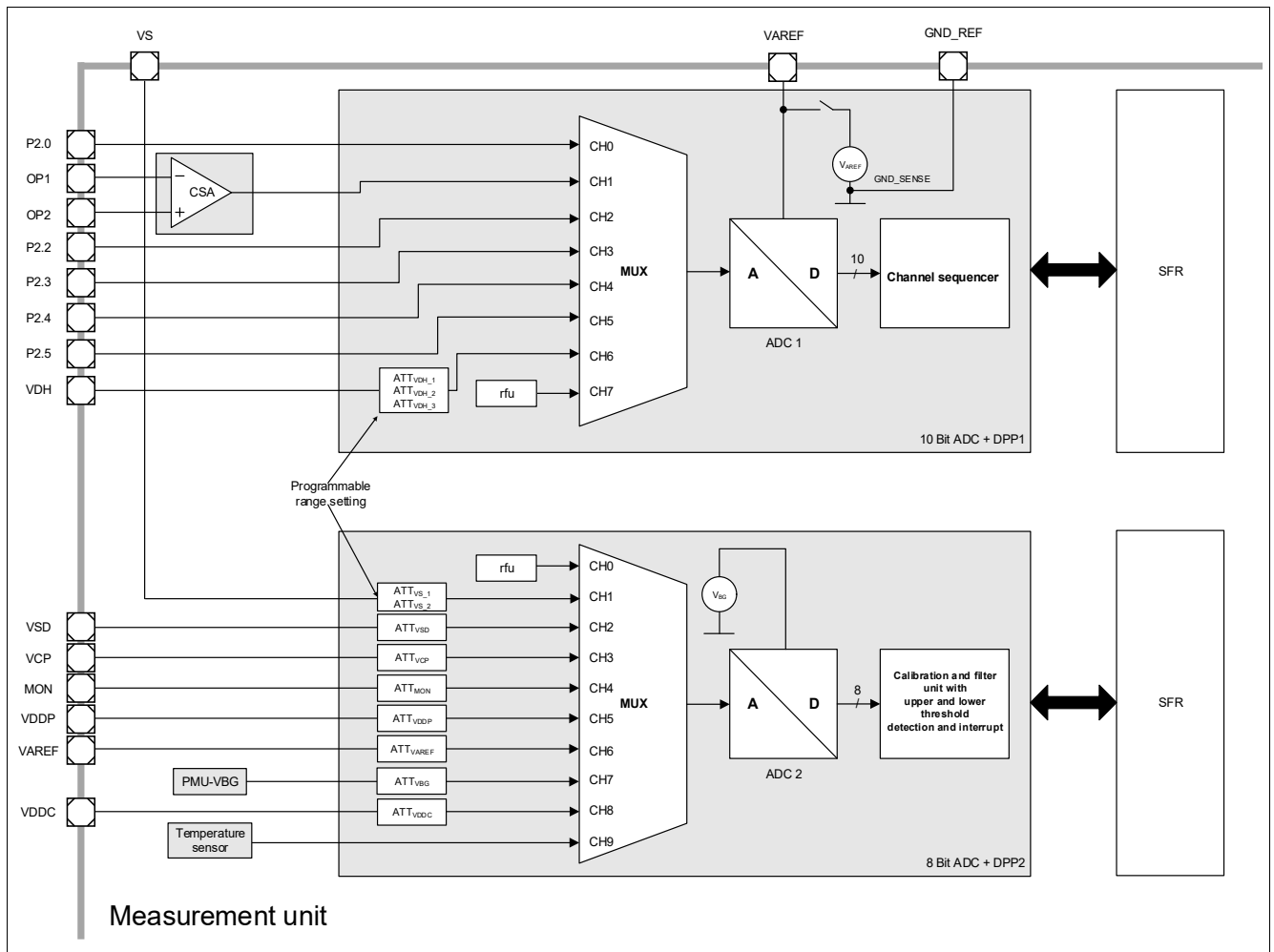
Module name	Module	Functions
Central function unit	Bandgap reference circuit	The bandgap reference submodule provides two reference voltages: <ol style="list-style-type: none"> <li>1. A trimmable reference voltage for the 8-bit ADC. A local dedicated bandgap circuit ensures that the reference voltage does not drop, e.g., because of crosstalk or ground voltage shift.</li> <li>2. The reference voltage for the NVM module.</li> </ol>
8-bit ADC (ADC2)	8-bit ADC module with 10 multiplexed inputs and including high-voltage input attenuators	<ul style="list-style-type: none"> <li>• 5 high-voltage inputs supporting the full supply range (2.5 V...30.7 V(FS))</li> <li>• 2 medium-voltage inputs (0..5 V/7 V FS).</li> <li>• 3 low-voltage inputs (0..1.2 V/1.6 V FS)</li> </ul> (See the following figure for the allocation of the inputs).
10-bit ADC (ADC1)	10-bit ADC module with 8 multiplexed inputs	Five (5 V) analog inputs from port 2.x.
VDH input voltage attenuator	VDH input voltage attenuator	Scales down (VDH) to the input voltage range of ADC1.CH6.
Temperature sensor	Temperature sensor with two multiplexed sensing elements: <ul style="list-style-type: none"> <li>• Sensor located on the PMU</li> <li>• Sensor located on the central chip</li> </ul>	Generates an output voltage that is a linear function of the local chip (junction) temperature.

Measurement unit

**Table 14 Measurement functions and associated modules (cont'd)**

Module name	Module	Functions
BEMF comparators	Back electromotive force comparators	Comparators are used to detect the back electromotive force (zero-crossing event), which can be used as a commutation trigger for BLDC applications.
Core measurement module	Digital signal processing and ADC2 control unit	<ol style="list-style-type: none"> <li>Generates the control signal for the 8-bit ADC2 and the synchronous clock for the switched capacitor circuits.</li> <li>Performs digital signal processing functions and provides status outputs for interrupt generation.</li> </ol>

**22.2.1 Block diagram**



**Figure 24 Measurement unit, overview (with opamp)**



Measurement unit

22.2.1.1 BEMF comparator block diagram

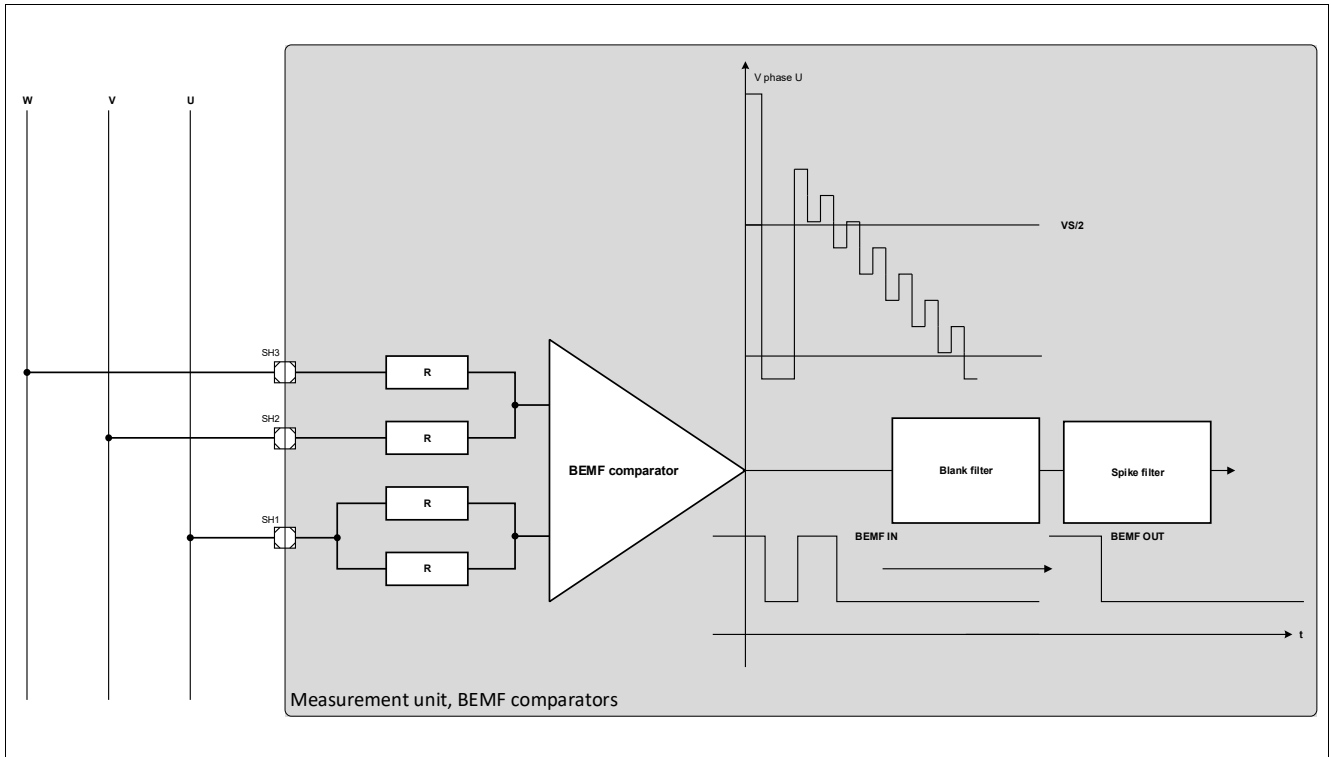


Figure 25 BEMF comparator (applies to each of the three comparators)

Core measurement module (incl. ADC2)

## 23 Core measurement module (incl. ADC2)

### 23.1 Features

- 10 individually programmable channels, split into two groups of user-configurable and non-configurable channels, respectively.
- Individually programmable channel prioritization scheme for the measurement unit.
- Two independent filter stages with programmable low-pass and time filter characteristics for each channel.
- Two channel configurations:
  - Programmable upper- and lower trigger thresholds comprising a fully programmable hysteresis.
  - Two individually programmable trigger thresholds with limit hysteresis settings.
- Individually programmable interrupts and statuses for all channel thresholds.

### 23.2 Introduction

The basic function of this block is the digital postprocessing of several digitized analog measurement signals by filtering, level comparison, and interrupt generation. The measurement postprocessing block consists of ten identical channel units attached to the outputs of the 10-channel 8-bit ADC (ADC2). It processes ten channels, where the channel sequence and prioritization is programmable within a wide range.

#### 23.2.1 Block diagram

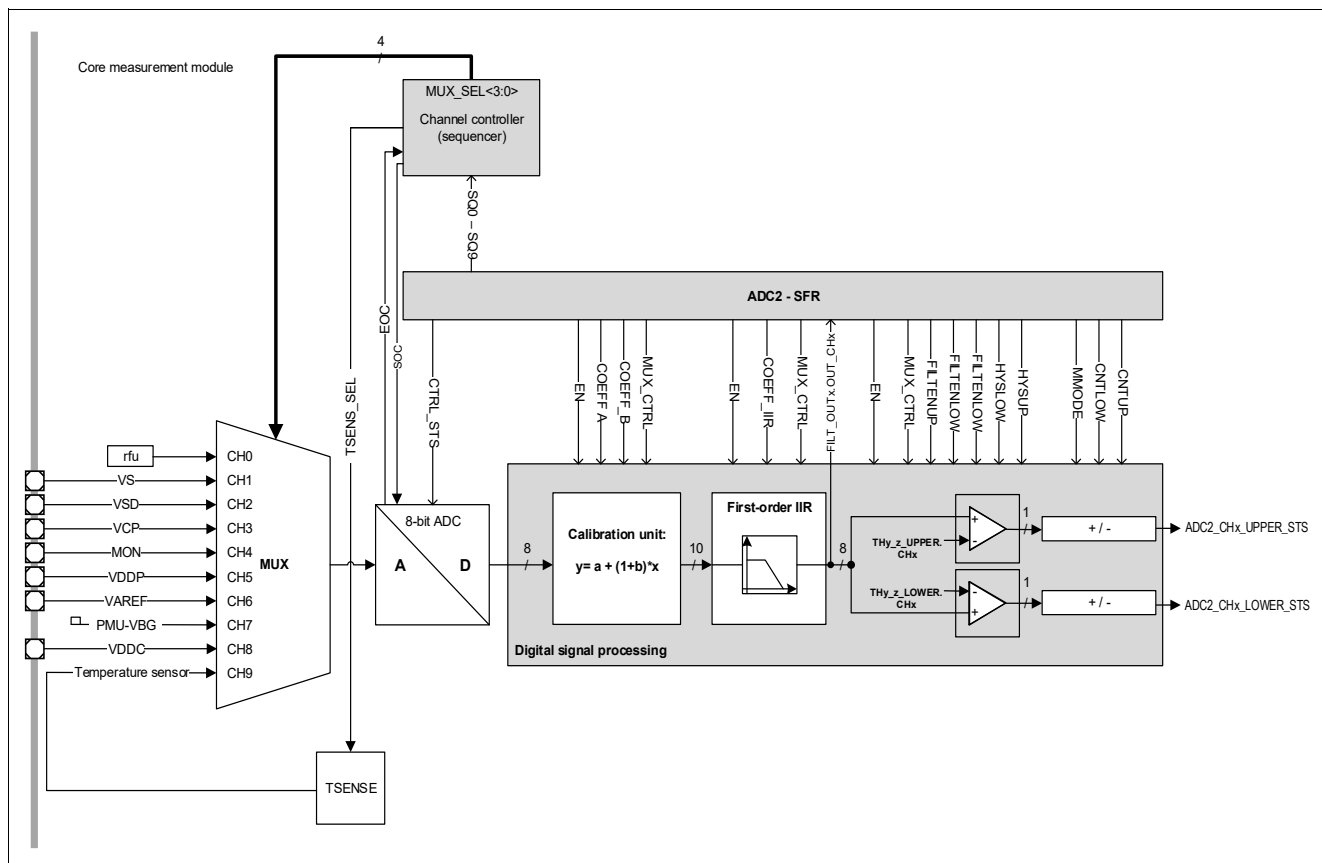


Figure 26 Module block diagram

---

**Core measurement module (incl. ADC2)****23.2.2 Core measurement module mode overview**

The basic function of this unit is the digital signal processing of several digitized analog measurement signals by filtering, level comparison, and interrupt generation. The core measurement module processes ten channels in a quasi-parallel process.

As shown in the figure above, the ADC2 postprocessing unit consists of a channel controller (sequencer), a 10-channel demultiplexer, and the signal-processing block, which filters and compares the sampled ADC2 values for each channel individually. The channel control block controls the multiplexer sequencing on the analog side, before the ADC2, and in the digital domain, behind the ADC2. The channel sequence can be controlled in a flexible way, which allows a certain degree of channel prioritization.

This capability can be used, e.g., to give supply voltage channels a higher priority than the other channel measurements. In addition, the core measurement module offers two different postprocessing measurement modes for over- and undervoltage detection and for two-level threshold detection.

The channel controller (sequencer) runs in one of the following modes:

- Normal Sequencer: Channels are selected according to the 10 sequence registers which contain individual enablers for each of the 10 channels.
- Exceptional Interrupt Measurement: Following a hardware event, a high-priority channel is inserted into the current sequence. The current actual measurement is not destroyed.
- Exceptional Sequence Measurement: Following a hardware event, a complete sequence is inserted after the current measurement is finished. The current sequence is interrupted by the exception sequence.

---

**10-bit analog-to-digital converter (ADC1)****24 10-bit analog-to-digital converter (ADC1)****24.1 Features**

The principal features of the ADC1 are:

- Up to 8 analog input channels (channel 7 reserved for future use).
- Flexible results handling
  - 8-bit and 10-bit resolution.
- Flexible source selection due to sequencer:
  - Insert one exceptional sequence (ESM).
  - Insert one interrupt measurement into the current sequence (EIM), single or up to 128 times.
  - Software mode.
- Conversion sample time (separate for each channel) adjustable to adapt to sensors and reference.
- Standard external reference (VAREF) to support ratiometric measurements and different signal scales.
- DMA support, transfer ADC conversion results via DMA into RAM.
- Support of suspended and power-saving modes.
- Result data protection for slow CPU access (Wait-for-Read mode).
- Programmable clock divider.
- Integrated sample and hold circuitry.

**24.2 Introduction**

The TLE9877QW40 includes a high-performance 10-bit analog-to-digital converter (ADC1) with eight multiplexed analog input channels. The ADC1 uses a successive approximation technique to convert the analog voltage levels from up to eight different sources. The analog input channels of the ADC1 are available at AN0 and AN2 to AN5.

10-bit analog-to-digital converter (ADC1)

24.2.1 Block diagram

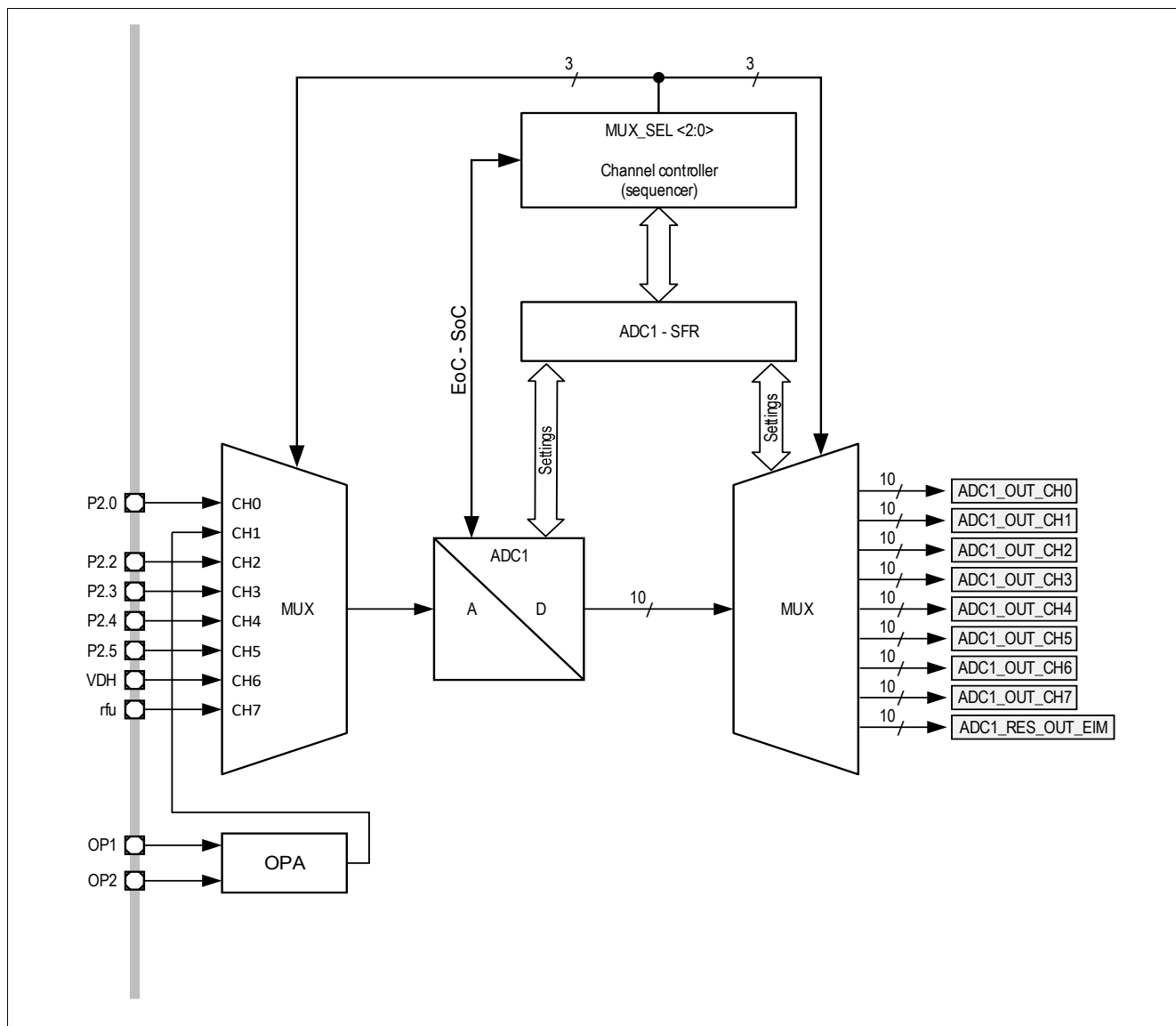


Figure 27 ADC1 top-level block diagram

As shown in the figure above, the ADC1 postprocessing block consists of a channel controller (Sequencer) and an 8-channel demultiplexer. The channel control block controls the multiplexer sequencing on the analog side, before the ADC1, and in the digital domain, behind the ADC1. The channel sequence can be controlled in a flexible way, which allows a certain degree of channel prioritization.

This capability can be used, e.g., to give supply voltage channels a higher priority than the other channel measurements.

## High-voltage monitor input

# 25 High-voltage monitor input

## 25.1 Features

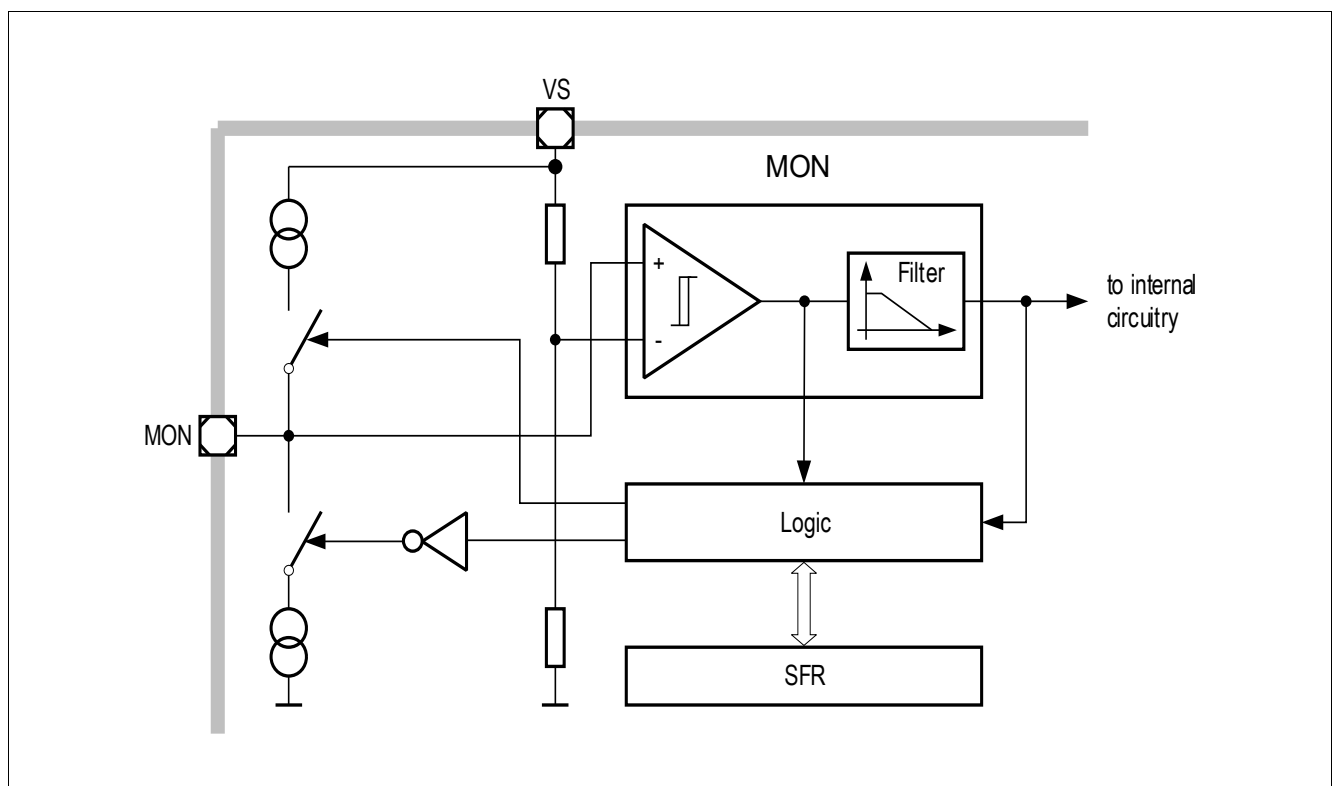
- High-voltage input with  $V_{\text{MONth}}$  threshold voltage
- Integrated selectable pull-up and pull-down current sources
- Wake capability for power-saving modes
- Level change sensitivity configurable for transitions from low to high, high to low, or both directions

## 25.2 Introduction

This module is dedicated to monitor external voltage levels above or below a specified threshold or it can be used to detect a wake-up event at the high-voltage MON pin in low-power mode. The input level can be monitored if the module is enabled (PMU\_MON\_CNF).

To use the Wake function when the IC is in a low-power mode, the monitoring pin is switched to Sleep mode via the SFR bit EN.

### 25.2.1 Block diagram



**Figure 28 High-voltage monitor input block diagram**

---

**Bridge driver (incl. charge pump)****26 Bridge driver (incl. charge pump)****26.1 Features**

The MOSFET driver is intended to drive external normal-level NFET transistors in bridge configurations. The driver provides many diagnostic functions for detecting faults.

**Functional features**

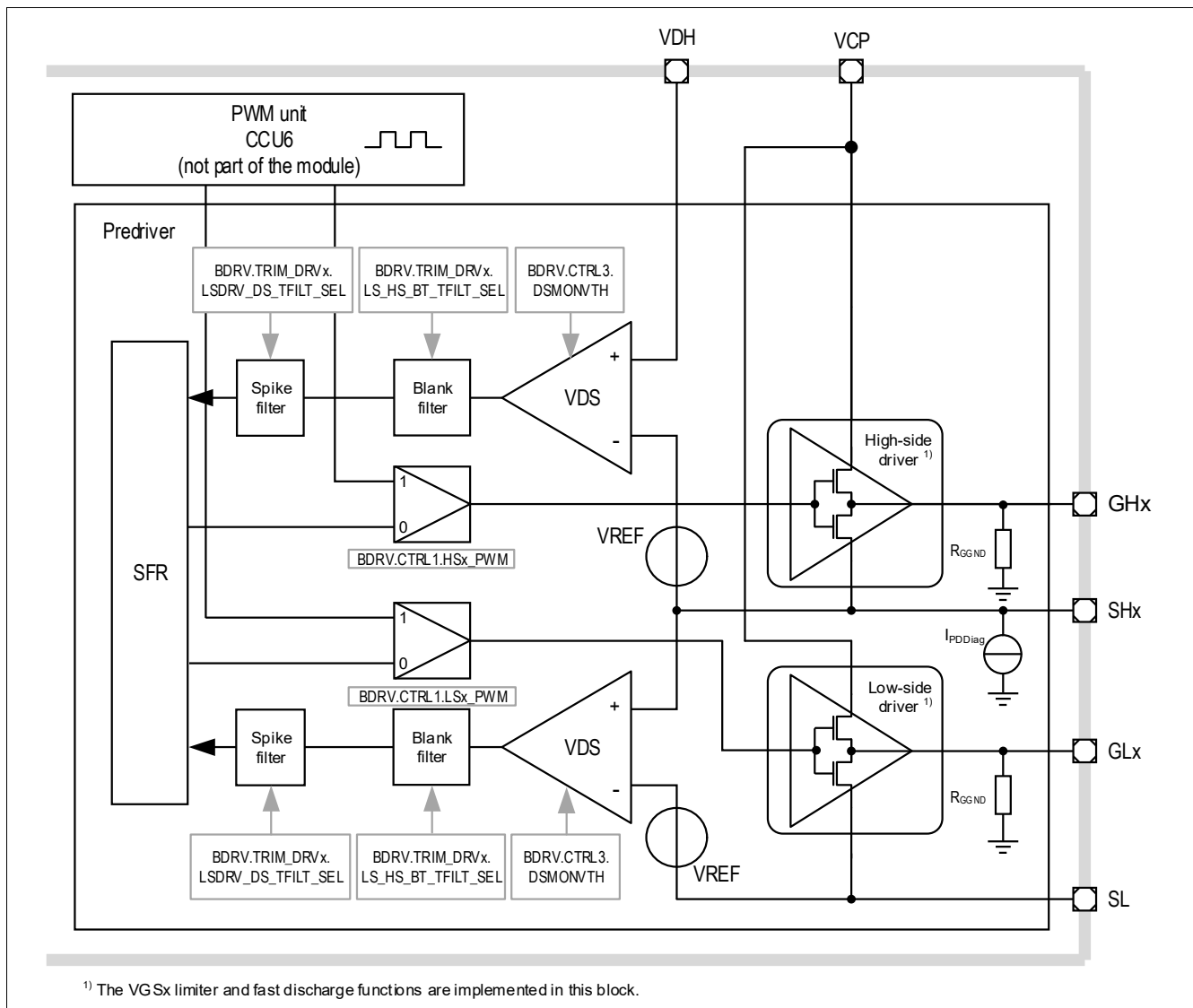
- External power NFET transistor driver stage with driver capability of  $Q_{\text{tot\_max}}$ .
- Adjustable cross-conduction protection.
- Supply voltage (VSD) monitoring incl. adjustable over- and undervoltage shutdown with configurable interrupt signalling.
- VSD operating range:  $V_{\text{SD\_AM}}$ .
- VDS comparators for short-circuit-detection in both on- and off-states.
- Open-load detection in the off-state.
- Flexible PWM frequency range. Rates above 25 kHz require power dissipation and duty-cycle resolution analysis.

**26.2 Introduction**

The MOSFET driver stage can be used for controlling external power NFET transistors (normal level). The module output is controlled by the SFR or the System PWM Machine (CCU6).

## Bridge driver (incl. charge pump)

### 26.2.1 Block diagram



**Figure 29** Bridge driver module block diagram (incl. system connections)

### 26.2.2 General

The bridge driver can be controlled in two different ways:

- In Normal mode, the output stage is fully controllable through the SFR registers CTRLx (x = 1,2,3). Protection functions such as overcurrent and open-load detection are available.
- The PWM mode can be enabled by setting the corresponding bit in CTRL1 and CTRL2. The PWM must be configured in the System PWM Module (CCU6). All protection functions are available in PWM mode as well.

#### Protection functions

- Overcurrent detection and shutdown feature for external MOSFET based on drain-source measurements.
- Programmable minimum cross-current protection time.
- Open-load detection feature in the off-state for external MOSFET.



---

**Current sense amplifier****27 Current sense amplifier****27.1 Features****Main features**

- Programmable gain settings:  $G$
- Differential input voltage:  $V_{IX}$
- Wide common-mode input range:  $V_{CM}$
- Low setting time:  $T_{SET}$

**27.2 Introduction**

The current sense amplifier in the following figure can be used to measure near-ground differential voltages via the 10-bit ADC. Its gain is digitally programmable through internal control registers.

Linear calibration has to be applied to achieve high gain accuracy, e.g., end-of-line calibration using the shunt resistor.

The following figure shows how the current sense amplifier can be used as a low-side current sense amplifier where the motor current is converted to a voltage by means of a shunt resistor  $R_{SH}$ . A differential amplifier input is used to eliminate measurement errors caused by a voltage drop across the stray resistance  $R_{Stray}$  and differences between the external and internal grounds. If the voltage at one or both inputs is outside the operating range, the input circuit is overloaded and requires a certain specified **recovery time**.

In general, an external low-pass filter should suppress of EMI.

Current sense amplifier

27.2.1 Block diagram

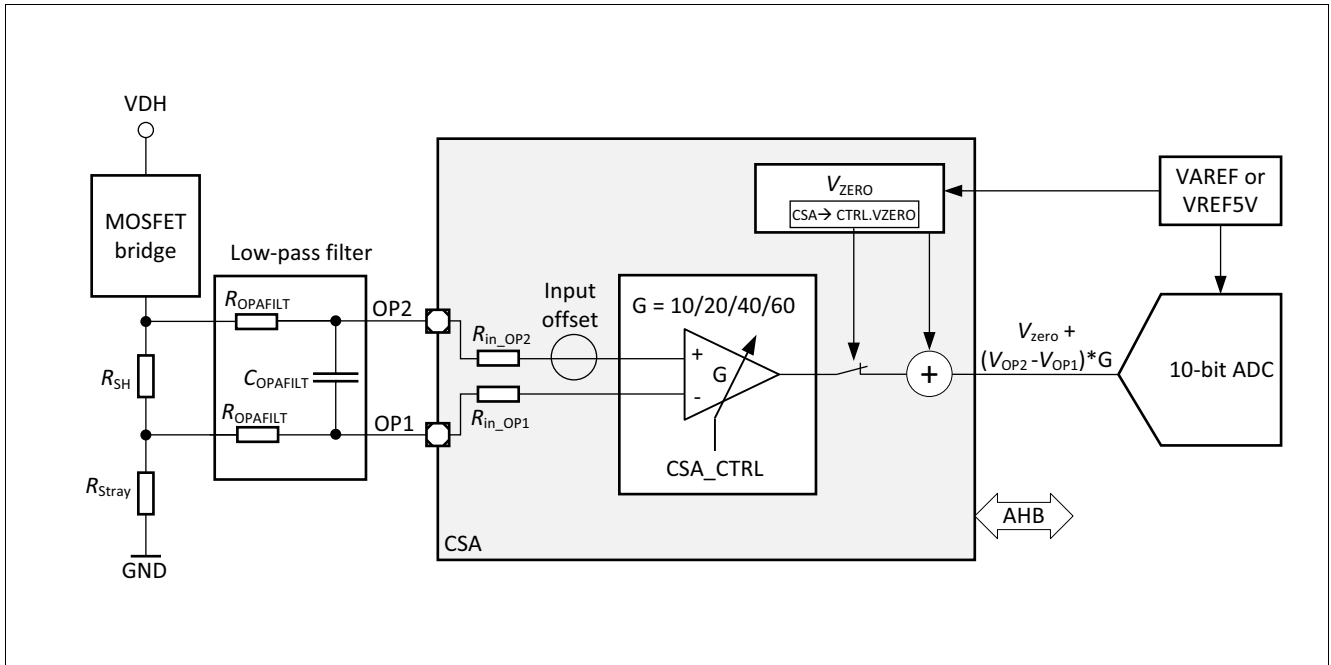


Figure 30 Current sense amplifier block diagram

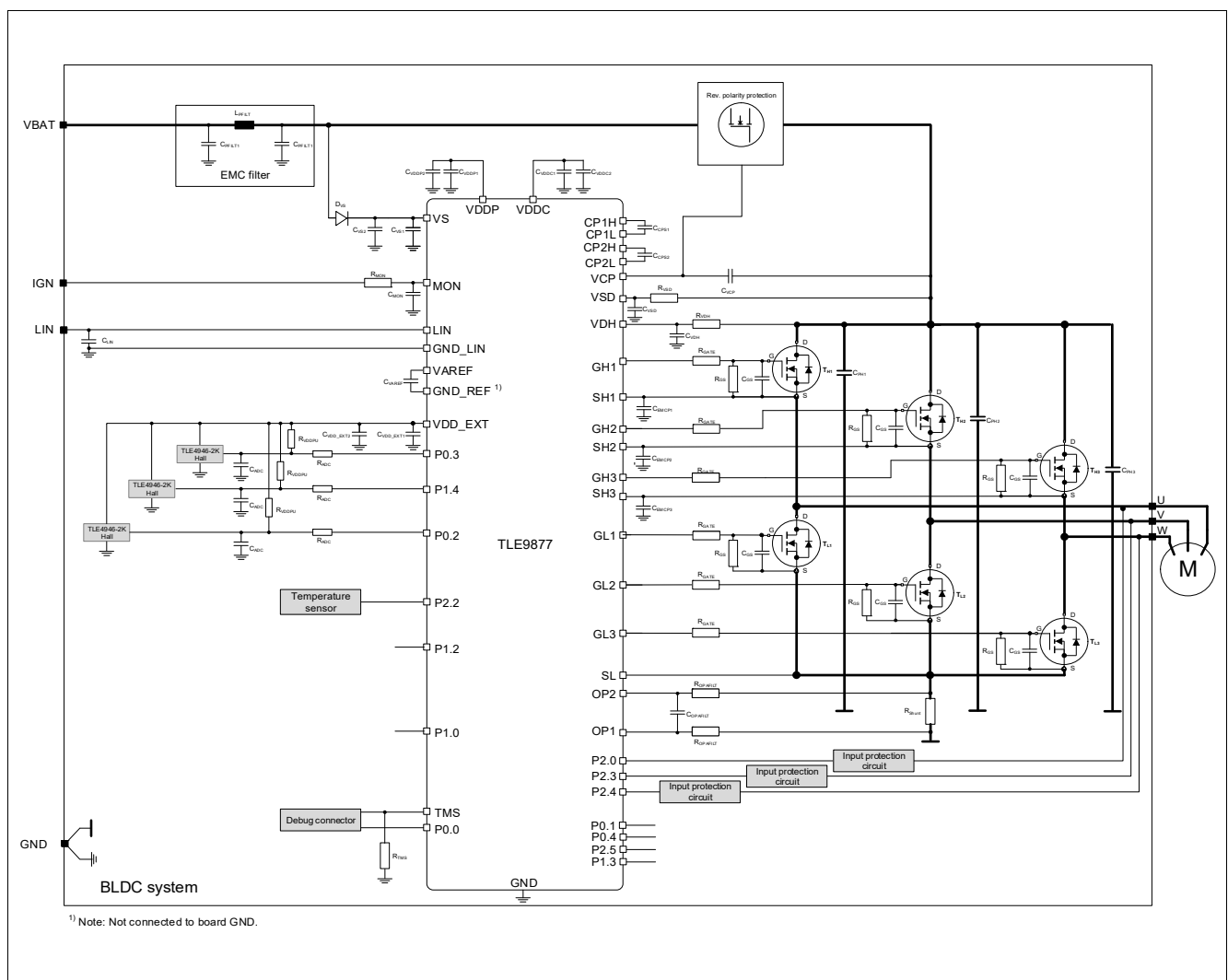
Application information

## 28 Application information

### 28.1 BLDC driver

The following figure shows the TLE9877QTW40 in an electric drive application setup controlling a BLDC motor.

*Note:* The following information is given as a hint for the implementation of the device only and shall not be regarded as a description or warranty of a certain functionality, condition, or quality of the device.



**Figure 31** Simplified sample application diagram

*Note:* This is a very simplified example of an application circuit and bill of materials. The function must be verified in the actual application.

## Application information

**Table 15 External components (BOM)**

Symbol	Function	Component
$C_{VS1}$	Blocking capacitor at VS pin	$\geq 100$ nF ceramic, ESR $< 1 \Omega$
$C_{VS2}$	Blocking capacitor at VS pin	$> 2.2 \mu\text{F}$ Elco <sup>1)</sup>
$C_{VDDP}$	Blocking capacitor at VDDP pin	See P_2.1.2 and P_2.1.20
$C_{VDD\_EXT}$	Blocking capacitor at VDDEXT pin	See P_2.3.22 and P_2.3.20
$C_{VDDC}$	Blocking capacitor at VDDC pin	See P_2.2.1 and P_2.2.17
$C_{VAREF}$	Blocking capacitor at VAREF pin	See P_9.1.1
$C_{LIN}$	Standard C for LIN slave	220 pF
$C_{VSD}$	Filter C for charge pump end driver	1 $\mu\text{F}$
$C_{CPS1}$	Charge pump capacitor	220 nF
$C_{CP2S}$	Charge pump capacitor	220 nF
$C_{VCP}$	Charge pump capacitor	470 nF
$C_{MON}$	Filter C for ISO pulses	10 nF
$C_{VDH}$	Capacitor	3.3 nF
$C_{PH1}$	Capacitor	220 $\mu\text{F}$
$C_{PH2}$	Capacitor	220 $\mu\text{F}$
$C_{PH3}$	Capacitor	220 $\mu\text{F}$
$C_{OPAFILT}$	Capacitor	1 nF
$C_{EMCP1}$	Capacitor	1 nF
$C_{EMCP2}$	Capacitor	1 nF
$C_{EMCP3}$	Capacitor	1 nF
$C_{PFILT1}, C_{PFILT2}$	Capacitor	
$R_{MON}$	Resistor at MON pin	3.9 k $\Omega$
$R_{VSD}$	Limitation of reverse current due to transient (-2 V, 8 ms). Max. ratings of the VSD pin has to be met, alternatively the resistor shall be replaced by a diode	2 $\Omega$
$R_{VDH}$	Resistor	1 k $\Omega$
$R_{GATE}$	Resistor	2 $\Omega$
$R_{OPAFILT}$	Resistor	12 $\Omega$
$R_{SH1}$	Resistor	Optional
$R_{SH2}$	Resistor	Optional
$R_{SH3}$	Resistor	Optional
$L_{PFILT}$		-
$D_{VS}$	Reverse-polarity protection diode	-

1) The capacitor must be dimensioned so as to ensure that operations which modify the content of the flash are never interrupted (e.g., in case of power loss).

---

**Application information**
**28.2 ESD immunity according to IEC61000-4-2**

*Note: Tests for ESD immunity according to IEC61000-4-2 “gun test” (150 pF, 330 Ω) have been performed. The results and test conditions will be available in a test report.*

**Table 16 ESD “gun test”**

<b>Performed test</b>	<b>Result</b>	<b>Unit</b>	<b>Remarks</b>
ESD at pin LIN, versus GND <sup>1)</sup>	> 6	kV	Positive pulse
ESD at pin LIN, versus GND <sup>1)</sup>	< -6	kV	Negative pulse

1) ESD test “ESD GUN” is specified with external components; see application diagram:

$C_{MON} = 100 \text{ nF}$ ,  $R_{MON} = 1 \text{ k}\Omega$ ,  $C_{LIN} = 220 \text{ pF}$ ,  $C_{VS} = > 20 \text{ }\mu\text{F ELCO} + 100 \text{ nF ESR} < 1 \text{ }\Omega$ ,  $C_{VSD} = 1 \text{ }\mu\text{F}$ ,  $R_{VSD} = 2 \text{ }\Omega$ .

## Electrical characteristics

### 29 Electrical characteristics

This chapter includes all relevant electrical characteristics of the product TLE9877QTW40.

#### 29.1 General characteristics

##### 29.1.1 Absolute maximum ratings

**Table 17 Absolute maximum ratings<sup>1)</sup>**

$T_j = -40^\circ\text{C}$  to  $+175^\circ\text{C}$ , all voltages with respect to ground, positive current flowing into pin (unless otherwise specified).

Parameter	Symbol	Values			Unit	Note or Test Condition	Number
		Min.	Typ.	Max.			
<b>Voltages – supply pins</b>							
Supply voltage $V_S$	$V_S$	-0.3	–	40	V	Load dump	P_1.1.1
Supply voltage VSD	$V_{SD}$	-0.3	–	48	V	–	P_1.1.2
Supply voltage VSD	$V_{SD\_max\_extend}$	-2.8	–	48	V	Series resistor $R_{VSD} = 2.2 \Omega$ , $t = 8 \text{ ms}^2)$	P_1.1.32
Voltage range VDDP	$V_{DDP}$	-0.3	–	5.5	V	–	P_1.1.3
Voltage range VDDP	$V_{DDP\_max\_extend}$	-0.3	–	7	V	In case of voltage transients on $V_S$ with $\Delta V_S/\Delta t \geq 1 \text{ V}/\mu\text{s}$ ; duration: $t \leq 150 \mu\text{s}$ ; $C_{VDDP} \leq 570 \text{ nF}$	P_1.1.41
Voltage range VDDEXT	$V_{DDEXT}$	-0.3	–	5.5	V	–	P_1.1.4
Voltage range VDDEXT	$V_{DDEXT\_max\_extend}$	-0.3	–	7	V	In case of voltage transients on $V_S$ with $\Delta V_S/\Delta t \geq 1 \text{ V}/\mu\text{s}$ ; duration: $t \leq 150 \mu\text{s}$ ; $C_{VDDEXT} \leq 570 \text{ nF}$	P_1.1.42
Voltage range VDDC	$V_{DDC}$	-0.3	–	1.6	V	–	P_1.1.5
<b>Voltages – high-voltage pins</b>							
Input voltage at LIN	$V_{LIN}$	-28	–	40	V	–	P_1.1.7
Input voltage at MON	$V_{MON\_maxrate}$	-28	–	40	V	<sup>3)</sup>	P_1.1.8
Input voltage at VDH	$V_{VDH\_maxrate}$	-2.8	–	40	V	<sup>4)</sup>	P_1.1.38
Voltage range at GHx	$V_{GH}$	-8.0	–	48	V	<sup>5)</sup>	P_1.1.9
Voltage range at GHx vs. SHx	$V_{GHvsSH}$	-0.3	–	14	V	–	P_1.1.44
Voltage range at SHx	$V_{SH}$	-8.0	–	48	V	–	P_1.1.11
Voltage range at SLx	$V_{SL}$	-8.0	–	48	V	–	P_1.1.48
Voltage range at GLx	$V_{GL}$	-8.0	–	48	V	<sup>6)</sup>	P_1.1.13
Voltage range at GLx vs. SL	$V_{GLvsSL}$	-0.3	–	14	V	–	P_1.1.45

## Electrical characteristics

**Table 17 Absolute maximum ratings<sup>1)</sup>** (cont'd)

$T_j = -40^\circ\text{C}$  to  $+175^\circ\text{C}$ , all voltages with respect to ground, positive current flowing into pin (unless otherwise specified).

Parameter	Symbol	Values			Unit	Note or Test Condition	Number
		Min.	Typ.	Max.			
Voltage range at charge pump pins CP1H, CP1L, CP2H, CP2L, VCP	$V_{CPx}$	-0.3	-	48	V	<sup>7)</sup>	P_1.1.15
<b>Voltages – GPIOs</b>							
Voltage on any port pin <sup>8)</sup>	$V_{in}$	-0.3	-	$V_{DDP} + 0.3$	V	<sup>9)</sup> $V_{IN} < V_{DDPmax}$	P_1.1.16
<b>Current at VCP pin</b>							
Max. current at VCP pin	$I_{VCP}$	-15	-	-	mA	-	P_1.1.35
<b>Injection current at GPIOs</b>							
Injection current on any port pin	$I_{GPIONM}$	-5	-	5	mA	<sup>10)</sup>	P_1.1.34
Sum of all injected currents in Normal mode	$I_{GPIOAM\_sum}$	-50	-	50	mA	<sup>10)</sup>	P_1.1.30
Sum of all injected currents in Power-down mode (Stop mode)	$I_{GPIOPD\_sum}$	-5000	-	50	$\mu\text{A}$	<sup>10)</sup>	P_1.1.36
Sum of all injected currents in Sleep mode	$I_{GPIOSleep\_sum}$	-5	-	5	mA	<sup>10)</sup>	P_1.1.37
<b>Other voltages</b>							
Input voltage VAREF	$V_{AREF}$	-0.3	-	$V_{DDP} + 0.3$	V	-	P_1.1.17
Input voltage OP1, OP2	$V_{OAI}$	-7	-	7	V	-	P_1.1.23
<b>Temperatures</b>							
Junction temperature	$T_j$	-40	-	175	$^\circ\text{C}$	-	P_1.1.18
Storage temperature	$T_{stg}$	-55	-	150	$^\circ\text{C}$	-	P_1.1.19
<b>ESD susceptibility</b>							
ESD susceptibility all pins	$V_{ESD1}$	-2	-	2	kV	HBM <sup>11)</sup>	P_1.1.20
ESD susceptibility pins MON, VS, VSD vs.GND	$V_{ESD2}$	-4	-	4	kV	HBM <sup>12)</sup>	P_1.1.21
ESD susceptibility pins LIN vs. GND_LIN	$V_{ESD3}$	-6	-	6	kV	HBM <sup>11)</sup>	P_1.1.22
ESD susceptibility CDM all pins vs. GND	$V_{ESD\_CDM1}$	-500	-	500	V	<sup>13)</sup>	P_1.1.28
ESD susceptibility CDM pins 1, 12, 13, 24, 25, 36, 37, 48 (corner pins) vs. GND	$V_{ESD\_CDM2}$	-750	-	750	V	<sup>13)</sup>	P_1.1.43

1) Not subject to production test, specified by design.

## Electrical characteristics

- 2) Conditions and minimum values are derived from application conditions for reverse polarity events.
- 3) The minimum voltage of -28 V applies only with an external 3.9 k $\Omega$  series resistor.
- 4) The minimum voltage of -2.8 V applies only with an external 1 k $\Omega$  series resistor.
- 5) To achieve the maximum ratings on this pin, the following relationships with parameter P\_1.1.44 have to be observed:  $V_{GH} < V_{SH} + V_{GHvsSH\_min}$  and  $V_{SH} < V_{GH} + 0.3$  V.
- 6) To achieve the maximum ratings on this pin, the following relationships with parameter P\_1.1.45 have to be observed:  $V_{GL} < V_{SL} + V_{GLvsSL\_min}$  and  $V_{SL} < V_{GL} + 0.3$  V.
- 7) These limits can be kept if the maximum current drawn out of the pin does not exceed the limit of 200  $\mu$ A.
- 8) See the XTAL parameter specification, when GPIOs (Port pins P2.0 and P2.2) are used as XTAL.
- 9) Includes TMS and RESET.
- 10) P\_1.1.16 must not be exceeded in the injection current.
- 11) ESD susceptibility based on the HBM according to ANSI/ESDA/JEDEC JS-001 (1.5 k $\Omega$ , 100 pF).
- 12) MON with external circuitry of a series resistor with 3.9 k $\Omega$  and 10 nF (at connector); VS with an external ceramic capacitor with 100 nF; VSD with an external capacitor with 470 nF; VDH with external circuitry of a series resistor with 1 k $\Omega$  and 3.3 nF (at pin).
- 13) ESD susceptibility based on the HBM according to ANSI/ESDA/JEDEC JESD22-C101F.

## Notes

1. *Stresses above the ones listed here may cause permanent damage to the device. Exposure to absolute maximum rating conditions for extended periods may affect the reliability of the device.*
2. *Integrated protection functions are designed to prevent IC destruction under fault conditions described in the data sheet. Fault conditions are considered to be outside the normal operating range. Protection functions are not designed for continuous repetitive operation.*



## Electrical characteristics

### 29.1.2 Functional range

**Table 18 Functional range**

$T_j = -40^\circ\text{C}$  to  $+175^\circ\text{C}$ , all voltages with respect to ground, positive current flowing into pin (unless otherwise specified).

Parameter	Symbol	Values			Unit	Note or Test Condition	Number
		Min.	Typ.	Max.			
Supply voltage in Active mode	$V_{S\_AM}$	5.5	–	28	V	–	P_1.2.1
Extended supply voltage in Active mode	$V_{S\_AM\_extend}$	28	–	40	V	<sup>1)2)</sup> Extended supply range leads to parameter deviation.	P_1.2.16
Supply voltage in Active mode for MOSFET driver supply	$V_{SD\_AM}$	5.4	–	28	V	–	P_1.2.18
Extended supply voltage in Active mode for MOSFET driver supply	$V_{SD\_AM\_extend}$	28	–	32	V	<sup>1)2)5)</sup> Extended supply range leads to parameter deviation.	P_1.2.17
Specified supply voltage for LIN transceiver	$V_{S\_AM\_LIN}$	5.5	–	18	V	Parameter specification.	P_1.2.2
Extended supply voltage for LIN transceiver	$V_{S\_AM\_LIN}$	4.8	–	28	V	<sup>3)</sup> Extended supply range leads to parameter deviation.	P_1.2.14
Supply voltage in Active mode with reduced functionality (retaining full operation for microcontroller and flash)	$V_{S\_AMmin}$	3.0	–	5.5	V	<sup>4)</sup>	P_1.2.3
Supply voltage in Sleep mode	$V_{S\_Sleep}$	3.0	–	28	V	–	P_1.2.4
Supply voltage transients slew rate	$\Delta V_S/\Delta t$	-1	–	1	V/ $\mu\text{s}$	<sup>5)</sup>	P_1.2.5
Output sum current for all GPIO pins	$I_{GPIO\_sum}$	-50	–	50	mA	<sup>5)</sup>	P_1.2.7
Operating frequency	$f_{sys}$	5	–	40	MHz	<sup>6)</sup>	P_1.2.15
Junction temperature range 1	$T_{j\_extend\_1}$	-40	–	150	$^\circ\text{C}$	–	P_1.2.22
Junction temperature range 2	$T_{j\_extend\_2}$	-40	–	165	$^\circ\text{C}$	<sup>5)</sup> Incl. flash read/write/erase	P_1.2.23
Junction temperature range 3	$T_{j\_extend\_3}$	165	–	175	$^\circ\text{C}$	<sup>5)</sup> Incl. flash read	P_1.2.24

- 1) This operation voltage range is only allowed for a short duration:  $t_{max} \leq 400$  ms (continuous operation at this voltage is not allowed),  $f_{sys} = 24$  MHz,  $I_{VDDP} = 10$  mA,  $I_{VDDEXT} = 5$  mA. In addition, the power dissipation caused by the charge pump and the MOSFET driver has to be considered. Charge pump and MOSFET driver operation above the specified voltage range is not allowed.
- 2) Parameter deviations mean that the electrical parameters of the device may present values outside the range specified within the minimum and maximum values.
- 3) Parameter deviations mean that the electrical parameters of the device may present values outside the range specified within the minimum and maximum values.
- 4) Functionality is reduced (for example, cranking pulse); parameter deviations are possible: The electrical parameters of the device may present values outside the range specified within the minimum and maximum values.
- 5) Not subject to production test, specified by design.
- 6) Function not specified when limits are exceeded.

## Electrical characteristics

### 29.1.3 Current consumption

**Table 19** Electrical characteristics

$V_S = 5.5\text{ V to }28\text{ V}$ ,  $T_j = -40^\circ\text{C to }+175^\circ\text{C}$ ; all voltages with respect to ground, positive current flowing into pin (unless otherwise specified).

Parameter	Symbol	Values			Unit	Note or Test Condition	Number
		Min.	Typ.	Max.			
<b>Current consumption at VS pin</b>							
Current consumption in Active mode at VS pin	$I_{VS}$	–	30	35	mA	$f_{\text{sys}} = 20\text{ MHz}$ No loads on pins, LIN in recessive state <sup>1)</sup>	P_1.3.1
Current consumption in Active mode at VSD pin	$I_{VSD}$	–	–	40	mA	20 kHz PWM on bridge driver	P_1.3.8
Current consumption in Slow-down mode	$I_{SDM\_3P}$	–	–	35	mA	$f_{\text{sys}} = 5\text{ MHz}$ ; LIN communication running; charge pump on (reverse polarity FET on), external low-side FET static on (Motor Break mode); VDDEXT on; all other modules set to power down; $V_S = 13.5\text{ V}$	P_1.3.19
Current consumption in Sleep mode	$I_{\text{Sleep}}$	–	30	35	$\mu\text{A}$	System in Sleep mode, microcontroller not powered, wake-capable via LIN and MON; MON connected to VS or GND; GPIOs open (no loads) or connected to GND: $-40^\circ\text{C} \leq T_j \leq 85^\circ\text{C}$ ; $V_S = 5.5\text{ V to }18\text{ V}^{2)}$	P_1.3.3
Current consumption in Sleep mode, extended temperature 1	$I_{\text{Sleep\_extend\_1}}$	–	90	200	$\mu\text{A}$	System in Sleep mode, microcontroller not powered, wake-capable via LIN and MON; MON connected to VS or GND; GPIOs open (no loads) or connected to GND: $-40^\circ\text{C} \leq T_j \leq 150^\circ\text{C}$ ; $V_S = 5.5\text{ V to }18\text{ V}^{2)}$	P_1.3.15
Current consumption in Sleep mode, extended temperature 2	$I_{\text{Sleep\_extend\_2}}$	–	300	500	$\mu\text{A}$	System in Sleep mode, microcontroller not powered, wake-capable via LIN and MON; MON connected to VS or GND; GPIOs open (no loads) or connected to GND: $150^\circ\text{C} \leq T_j \leq 175^\circ\text{C}$ ; $V_S = 5.5\text{ V to }18\text{ V}^{2)}$	P_1.3.16

## Electrical characteristics

**Table 19 Electrical characteristics (cont'd)**

$V_S = 5.5\text{ V to }28\text{ V}$ ,  $T_j = -40^\circ\text{C to }+175^\circ\text{C}$ ; all voltages with respect to ground, positive current flowing into pin (unless otherwise specified).

Parameter	Symbol	Values			Unit	Note or Test Condition	Number
		Min.	Typ.	Max.			
Current consumption in Sleep mode	$I_{\text{Sleep}}$	–	–	33	$\mu\text{A}$	System in Sleep mode, microcontroller not powered, wake-capable via LIN and MON; MON connected to VS or GND; GPIOs open (no loads) or connected to GND: $-40^\circ\text{C} \leq T_j \leq 40^\circ\text{C}$ ; $V_S = 5.5\text{ V to }18\text{ V}^{2)}$	P_1.3.9
Current consumption in Sleep mode with cyclic wake	$I_{\text{Cyclic}}$	–	–	110	$\mu\text{A}$	$-40^\circ\text{C} \leq T_j \leq 85^\circ\text{C}$ ; $V_S = 5.5\text{ V to }18\text{ V}$ ; $t_{\text{Cyclic\_ON}} = 4\text{ ms}$ ; $t_{\text{Cyclic\_OFF}} = 2048\text{ ms}^{2)}$	P_1.3.4
Current consumption in Sleep mode with cyclic wake, extended temperature range	$I_{\text{Cyclic\_extend}}$	–	–	600	$\mu\text{A}$	$-40^\circ\text{C} \leq T_j \leq 175^\circ\text{C}$ ; $V_S = 5.5\text{ V to }18\text{ V}$ ; $t_{\text{Cyclic\_ON}} = 4\text{ ms}$ ; $t_{\text{Cyclic\_OFF}} = 2048\text{ ms}^{2)}$	P_1.3.18
Current consumption in Stop mode	$I_{\text{Stop}}$	–	110	160	$\mu\text{A}$	System in Stop mode, microcontroller not clocked, wake-capable via LIN and MON; MON connected to VS or GND; GPIOs open (no loads) or connected to GND; $-40^\circ\text{C} \leq T_j \leq 85^\circ\text{C}$ ; $V_S = 5.5\text{ V to }18\text{ V}$	P_1.3.10
Current consumption in Stop mode, extended temperature range 1	$I_{\text{Stop\_extend}}$	–	600	1800	$\mu\text{A}$	System in Stop mode, microcontroller not clocked, wake-capable via LIN and MON; MON connected to VS or GND; GPIOs open (no loads) or connected to GND; $-40^\circ\text{C} \leq T_j \leq 150^\circ\text{C}$ ; $V_S = 5.5\text{ V to }18\text{ V}$	P_1.3.20

1) Current on  $V_S$ , ADC1/2 active, timer running, LIN active (recessive).

2) Incl. leakage currents from VDH, VSD and MON.

**Note:** *Within the functional range, the IC operates as described in the circuit description. The electrical characteristics are specified under the conditions noted in the related electrical characteristics table.*

## Electrical characteristics

### 29.1.4 Thermal resistance

**Table 20 Thermal resistance**

Parameter	Symbol	Values			Unit	Note or Test Condition	Number
		Min.	Typ.	Max.			
Junction to soldering point	$R_{thJSP}$	–	6	–	K/W	<sup>1)</sup> Measured to exposed pad	P_1.4.1
Junction to ambient	$R_{thJA}$	–	33	–	K/W	<sup>1)2)</sup>	P_1.4.2
Junction to top	$\Psi_{JTOP\ 2s2p}$	–	8	–	K/W	<sup>1)2)</sup>	P_1.4.3

1) Not subject to production test, specified by design.

2) According to Jedec JESD51-2,-5,-7 with natural convection on an FR4 2s2p board. Board:  $76.2 \times 114.3 \times 1.5\text{ mm}^3$  with two inner copper layers (35  $\mu\text{m}$  strong), with thermal dissipation via array under the exposed pad contacting the first inner copper layer and 300  $\text{mm}^2$  of cooling area on the bottom layer (70  $\mu\text{m}$ ).

### 29.1.5 Timing characteristics

The transition times between the system modes are specified here. Generally, the timings are defined from the time when the corresponding bits in register PMCON0 are set until the sequence is terminated.

**Table 21 System timing<sup>1)</sup>**

$V_S = 5.5\text{ V}$  to  $28\text{ V}$ ,  $T_J = -40^\circ\text{C}$  to  $+175^\circ\text{C}$ , all voltages with respect to ground, positive current flowing into pin (unless otherwise specified).

Parameter	Symbol	Values			Unit	Note or Test Condition	Number
		Min.	Typ.	Max.			
Wake-up time when running on battery	$t_{start}$	–	–	3	ms	Battery ramp-up time until the start of code execution	P_1.5.6
Wake-up time when running on battery	$t_{startSW}$	–	–	1.5	ms	Battery ramp-up time until the MCU reset is released; $V_S > 3\text{ V}$ and RESET = 1	P_1.5.1
Time to exit sleep	$t_{sleep - exit}$	–	–	1.5	ms	Rising/falling edge of any wake-up signal (LIN, MON) until the MCU reset is released	P_1.5.2
Time to enter sleep	$t_{sleep - entry}$	–	–	330	$\mu\text{s}$	<sup>2)</sup>	P_1.5.3

1) Not subject to production test, specified by design.

2) Wake events during sleep entry are stored and lead to wake-up after Sleep mode is reached.

## Electrical characteristics

### 29.2 Power management unit (PMU)

This chapter includes all electrical characteristics of the power management unit.

#### 29.2.1 PMU I/O supply (VDDP) parameters

This chapter describes electrical parameters which are observable on the SoC level. The pad-supply VDDP and the transition times between the system modes are specified in the following table.

**Table 22 Electrical characteristics**

$V_S = 5.5\text{ V to }28\text{ V}$ ,  $T_j = -40^\circ\text{C to }+175^\circ\text{C}$ , all voltages with respect to ground, positive current flowing into pin (unless otherwise specified).

Parameter	Symbol	Values			Unit	Note or Test Condition	Number
		Min.	Typ.	Max.			
Specified output current	$I_{VDDP}$	0	–	50	mA	<sup>1)</sup>	P_2.1.1
Specified output current	$I_{VDDP}$	0	–	30	mA	<sup>1)2)</sup>	P_2.1.22
Required decoupling capacitance	$C_{VDDP1}$	0.47	–	2.2	$\mu\text{F}$	<sup>3)4)5)</sup> ESR < 1 $\Omega$	P_2.1.2
Required buffer capacitance for stability (load jumps)	$C_{VDDP2}$	1	–	2.2	$\mu\text{F}$	<sup>3)4)6)</sup>	P_2.1.20
Output voltage including line and load regulation in Active mode	$V_{DDPOUT}$	4.9	5.0	5.1	V	<sup>7)</sup> $I_{load} < 90\text{ mA}$ ; $V_S > 5.5\text{ V}$	P_2.1.3
Output voltage including line and load regulation in Active mode	$V_{DDPOUT}$	4.9	5.0	5.1	V	<sup>2)7)</sup> $I_{load} < 70\text{ mA}$ ; $V_S > 5.5\text{ V}$	P_2.1.23
Output voltage including line and load regulation in Stop mode	$V_{DDPOUTSTOP}$	4.5	5.0	5.5	V	<sup>7)</sup> $I_{load}$ is only internal; $V_S > 5.5\text{ V}$ ; $-40^\circ\text{C} \leq T_j \leq -150^\circ\text{C}$	P_2.1.21
Output voltage including line and load regulation in Stop mode, extended temperature range	$V_{DDPOUTSTOP\_HT}$	3.5	5.0	5.8	V	<sup>7)</sup> $I_{load}$ is only internal; $V_S > 5.5\text{ V}$ ; $150^\circ\text{C} < T_j \leq 175^\circ\text{C}$	P_2.1.29
Output drop in Active mode	$V_{SVDDPout}$	–	50	400	mV	$I_{VDDP} = 30\text{ mA}^8)$ ; $3.5\text{ V} < V_S < 5.0\text{ V}$	P_2.1.4
Load regulation in Active mode	$V_{VDDPLOR}$	-50	–	50	mV	2 mA ... 90 mA; $C = 570\text{ nF}$ ; $-40^\circ\text{C} < T_j \leq 150^\circ\text{C}$	P_2.1.5
Load regulation in Active mode, extended temperature range	$V_{VDDPLOR\_HT}$	-70	–	70	mV	2 mA ... 90 mA; $C = 570\text{ nF}$ ; $150^\circ\text{C} < T_j \leq 175^\circ\text{C}$	P_2.1.30
Line regulation in Active mode	$V_{VDDPLIR}$	-50	–	50	mV	$V_S = 5.5\text{ V} \dots 28\text{ V}$	P_2.1.6
Oversvoltage detection	$V_{DDPOV}$	5.14	–	5.4	V	$V_S > 5.5\text{ V}$ ; Oversvoltage leads to SUPPLY_NMI	P_2.1.7
Oversvoltage detection filter time	$t_{FILT\_VDDPOV}$	–	735	–	$\mu\text{s}$	<sup>3)9)</sup>	P_2.1.24
Voltage OK detection threshold	$V_{DDPOK}$	–	3	–	V	<sup>3)</sup>	P_2.1.25
Voltage stable detection range <sup>10)</sup>	$\Delta V_{DDPSTB}$	-220	–	220	mV	<sup>3)</sup>	P_2.1.26
Undervoltage reset	$V_{DDPUV}$	2.5	2.6	2.7	V	–	P_2.1.8

## Electrical characteristics

**Table 22 Electrical characteristics** (cont'd)

$V_S = 5.5\text{ V to }28\text{ V}$ ,  $T_j = -40^\circ\text{C to }+175^\circ\text{C}$ , all voltages with respect to ground, positive current flowing into pin (unless otherwise specified).

Parameter	Symbol	Values			Unit	Note or Test Condition	Number
		Min.	Typ.	Max.			
Overcurrent diagnostic	$I_{VDDPOC}$	91	–	220	mA	–	P_2.1.9
Overcurrent diagnostic filter time	$t_{FILT\_VDDPOC}$	–	27	–	$\mu\text{s}$	<sup>3)9)</sup>	P_2.1.27
Overcurrent diagnostic shutdown time	$t_{FILT\_VDDPOC\_SD}$	–	100	–	$\mu\text{s}$	<sup>3)9)11)</sup>	P_2.1.28

- 1) Specified output current for port supply and additional other external loads, already excluding VDDC current.
- 2) This use case applies when the output current on VDDEXT does not exceed 40 mA.
- 3) Not subject to production test, specified by design.
- 4) Ceramic capacitor.
- 5) Ranges of P\_2.1.2 and P\_2.1.20 can be added to one ceramic capacitor with  $ESR < 1\ \Omega$ .
- 6) Ranges of P\_2.1.2 and P\_2.1.20 can be added to one ceramic capacitor with  $ESR < 1\ \Omega$ .
- 7) Load current includes internal supply.
- 8) Output drop for IVDDP without internal supply current.
- 9) This filter time is derived from the time base  $t_{LP\_CLK} = 1 / f_{LP\_CLK}$ .
- 10) The absolute voltage value is the sum of parameters  $V_{DDP} + \Delta V_{DDPSTB}$ .
- 11) When  $t_{FILT\_VDDPOC\_SD}$  is passed and the overcurrent condition is still present, the device will enter Sleep mode.

## Electrical characteristics

### 29.2.2 PMU core supply (VDDC) parameters

This chapter describes electrical parameters which are observable on the SoC level. The core-supply VDDC and the transition times between the system modes are specified in the following table.

**Table 23 Electrical characteristics**

$V_S = 5.5\text{ V to }28\text{ V}$ ,  $T_j = -40^\circ\text{C to }+175^\circ\text{C}$ , all voltages with respect to ground, positive current flowing into pin (unless otherwise specified).

Parameter	Symbol	Values			Unit	Note or Test Condition	Number
		Min.	Typ.	Max.			
Required decoupling capacitance	$C_{VDDC1}$	0.1	–	1	$\mu\text{F}$	<sup>1)2)3)</sup> ESR < 1 $\Omega$	P_2.2.1
Required buffer capacitance for stability (load jumps)	$C_{VDDC2}$	0.33	–	1	$\mu\text{F}$	<sup>2)4)</sup>	P_2.2.17
Output voltage including line regulation in Active mode	$V_{DDCOUT}$	1.44	1.5	1.56	V	$I_{load} < 40\text{ mA}$	P_2.2.2
Reduced output voltage including line regulation in Stop mode	$V_{DDCOUT\_Stop\_Red}$	0.95	1.1	1.3	V	With internal VDDC load only: $I_{load\_internal} < 1.5\text{ mA}$	P_2.2.23
Load regulation in Active mode	$V_{DDCLOR}$	-50	–	50	mV	2 mA ... 40 mA; C = 430 nF	P_2.2.3
Line regulation in Active mode	$V_{DDCLIR}$	-25	–	25	mV	$V_{DDP} = 2.5\text{ V ... }5.5\text{ V}$	P_2.2.4
Overvoltage detection	$V_{DDCOV}$	1.59	1.62	1.68	V	Overvoltage leadsto SUPPLY_NMI	P_2.2.5
Overvoltage detection filter time	$t_{FILT\_VDDCOV}$	–	735	–	$\mu\text{s}$	<sup>1)5)</sup>	P_2.2.18
Voltage OK detection range <sup>6)</sup>	$\Delta V_{DDCOK}$	-280	–	280	mV	<sup>1)</sup>	P_2.2.19
Voltage stable detection range <sup>7)</sup>	$\Delta V_{DDCSTB}$	-110	–	110	mV	<sup>1)</sup>	P_2.2.20
Undervoltage reset	$V_{DDVUV}$	1.136	1.20	1.264	V	–	P_2.2.6
Overcurrent diagnostic	$I_{VDDCOC}$	45	–	100	mA	–	P_2.2.7
Overcurrent diagnostic filter time	$t_{FILT\_VDDCOC}$	–	27	–	$\mu\text{s}$	<sup>1)5)</sup>	P_2.2.21
Overcurrent diagnostic shutdown time	$t_{FILT\_VDDCOC\_SD}$	–	290	–	$\mu\text{s}$	<sup>1)5)8)</sup>	P_2.2.22

1) Not subject to production test, specified by design.

2) Ceramic capacitor.

3) Ranges of P\_2.2.1 and P\_2.2.17 can be added to one ceramic capacitor with ESR < 1  $\Omega$ .

4) Ranges of P\_2.2.1 and P\_2.2.17 can be added to one ceramic capacitor with ESR < 1  $\Omega$ .

5) This filter time is derived from the time base  $t_{LP\_CLK} = 1 / f_{LP\_CLK}$ .

6) This absolute voltage value is the sum of parameters  $V_{DDC} + \Delta V_{DDCSTB}$ .

7) This absolute voltage value is the sum of parameters  $V_{DDC} + \Delta V_{DDCOK}$ .

8) When  $t_{FILT\_VDDCOC\_SD}$  is passed and the overcurrent condition is still present the device will enter Sleep mode.

## Electrical characteristics

### 29.2.3 VDDEXT voltage regulator (5.0 V) parameters

**Table 24 Electrical characteristics**

$V_S = 5.5 \text{ V to } 28 \text{ V}$ ,  $T_j = -40^\circ\text{C to } +175^\circ\text{C}$ , all voltages with respect to ground, positive current flowing into pin (unless otherwise specified).

Parameter	Symbol	Values			Unit	Note or Test Condition	Number
		Min.	Typ.	Max.			
Specified output current	$I_{VDDEXT}$	0	–	20	mA	–	P_2.3.1
Specified output current	$I_{VDDEXT}$	0	–	40	mA	<sup>1)</sup>	P_2.3.21
Required decoupling capacitance	$C_{VDDEXT1}$	0.1	–	2.2	$\mu\text{F}$	<sup>2)5)3)</sup> ESR < 1 $\Omega$	P_2.3.22
Required buffer capacitance for stability (load jumps)	$C_{VDDEXT2}$	1	–	2.2	$\mu\text{F}$	<sup>2)5)4)</sup>	P_2.3.20
Output voltage including line and load regulation	$V_{DDEXT}$	4.9	5.0	5.1	V	<sup>5)</sup> $I_{load} < 20 \text{ mA}$ ; $V_S > 5.5 \text{ V}$	P_2.3.3
Output voltage including line and load regulation	$V_{DDEXT}$	4.8	5.0	5.2	V	$I_{load} < 40 \text{ mA}$ ; $V_S > 5.5 \text{ V}$	P_2.3.23
Output drop in Active mode	$V_S - V_{DDEXT}$		50	300	mV	<sup>5)</sup> $I_{load} < 20 \text{ mA}$ ; $3 \text{ V} < V_S < 5.0 \text{ V}$	P_2.3.4
Output drop in Active mode	$V_S - V_{DDEXT}$		–	400	mV	$I_{load} < 40 \text{ mA}$ ; $3 \text{ V} < V_S < 5.0 \text{ V}$	P_2.3.14
Load regulation in Active mode	$V_{DDEXTLOR}$	-50	–	50	mV	2 mA ... 40 mA; $C = 200 \text{ nF}$	P_2.3.5
Line regulation in Active mode	$V_{DDEXTLIR}$	-50	–	50	mV	$V_S = 5.5 \text{ V} \dots 28 \text{ V}$	P_2.3.6
Power supply ripple rejection in Active mode	$P_{SSRVDDEXT}$	50	–	–	dB	<sup>5)</sup> $V_S = 13.5 \text{ V}$ ; $f = 0 \text{ kHz} \dots 1 \text{ kHz}$ ; $V_r = 2 \text{ Vpp}$	P_2.3.7
Overvoltage detection	$V_{VDDEXTOV}$	5.18	–	5.4	V	$V_S > 5.5 \text{ V}$	P_2.3.8
Overvoltage detection filter time	$t_{FILT\_VDDEXTOV}$	–	735	–	$\mu\text{s}$	<sup>5)6)</sup>	P_2.3.24
Voltage OK detection threshold	$V_{VDDEXTOK}$	–	3	–	V	<sup>5)</sup>	P_2.3.25
Voltage stable detection range <sup>7)</sup>	$\Delta V_{VDDEXTSTB}$	-220	–	220	mV	<sup>5)</sup>	P_2.3.26
Undervoltage trigger	$V_{VDDEXTUV}$	2.6	2.8	3.0	V	<sup>8)</sup>	P_2.3.9
Overcurrent diagnostic	$I_{VDDEXTOC}$	50	–	160	mA	–	P_2.3.10
Overcurrent diagnostic filter time	$t_{FILT\_VDDEXTOC}$	–	27	–	$\mu\text{s}$	<sup>5)6)</sup>	P_2.3.27
Overcurrent diagnostic shutdown time	$t_{FILT\_VDDEXTOC\_SD}$	–	100	–	$\mu\text{s}$	<sup>5)6)</sup>	P_2.3.28

1) This use case requires the reduced utilization of VDDP output current by 20 mA, see P\_2.1.22.

2) Ceramic capacitor.

3) Ranges of P\_2.3.22 and P\_2.3.20 can be added to one ceramic capacitor with ESR < 1  $\Omega$ .

4) Ranges of P\_2.3.22 and P\_2.3.20 can be added to one ceramic capacitor with ESR < 1  $\Omega$ .

5) Not subject to production test, specified by design.

6) This filter time is derived from the time base  $t_{LP\_CLK} = 1 / f_{LP\_CLK}$ .

7) The absolute voltage value is the sum of parameters  $V_{DDEXT} + \Delta V_{DDEXTSTB}$ .

8) When the undervoltage condition is met, the VDDEXT\_CTRL.bit.SHORT bit is set.



Electrical characteristics

29.2.4 VPRE voltage regulator (PMU subblock) parameters

The PMU VPRE regulator acts as a supply for the VDDP and VDDEXT voltage regulators.

Table 25 Functional range

Parameter	Symbol	Values			Unit	Note or Test Condition	Number
		Min.	Typ.	Max.			
Specified output current	$I_{VPRE}$	-	-	110	mA	1)	P_2.4.1

1) Not subject to production test, specified by design.

29.2.4.1 Load-sharing scenario for the VPRE regulator

The figure below shows the load-sharing scenario for VPRE regulator.

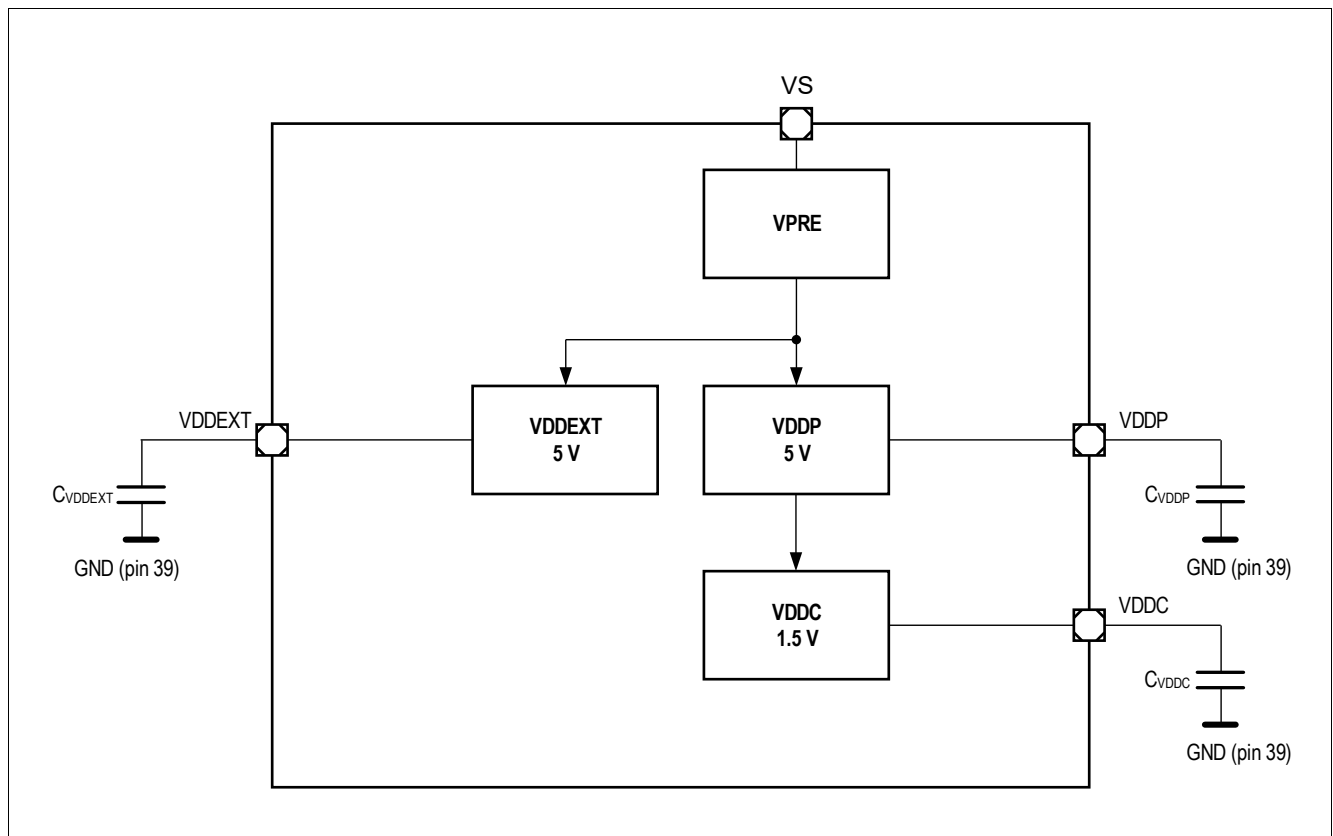


Figure 32 Load-sharing scenario for the VPRE regulator

## Electrical characteristics

### 29.2.5 Power-down voltage regulator (PMU subblock) parameters

The PMU power-down voltage regulator consists of two subblocks:

- Power-down preregulator: VDD5VPD
- Power-down core regulator: VDD1V5\_PD (Supply used for the GPUDATAx registers)

Both regulators are used as purely internal supplies. The following table contains all relevant parameters.

**Table 26 Functional range**

Parameter	Symbol	Values			Unit	Note or Test Condition	Number
		Min.	Typ.	Max.			
<b>VDD1V5_PD</b>							
Power-on reset threshold	$V_{DD1V5\_PD\_RSTTH}$	1.2	–	1.5	V	<sup>1)</sup>	P_2.5.1

1) Not subject to production test, specified by design.

## Electrical characteristics

### 29.3 System clocks

#### 29.3.1 Parameters of oscillators and PLLs

**Table 27** Electrical characteristics of the system clocks

$V_S = 5.5\text{ V to }28\text{ V}$ ,  $T_j = -40^\circ\text{C to }+175^\circ\text{C}$ , all voltages with respect to ground, positive current flowing into pin (unless otherwise specified).

Parameter	Symbol	Values			Unit	Note or Test Condition	Number
		Min.	Typ.	Max.			
<b>PMU oscillators (power management unit)</b>							
Frequency of LP_CLK	$f_{LP\_CLK}$	14	18	22	MHz	This clock is used during startup and can be used when the PLL fails.	P_3.1.1
Frequency of LP_CLK2	$f_{LP\_CLK2}$	70	100	130	kHz	This clock is used for cyclic wakes.	P_3.1.2
<b>CGU oscillator (clock generation unit microcontroller)</b>							
Short-term frequency deviation <sup>1)</sup>	$f_{TRIMST}$	-0.4	–	0.4	%	<sup>2)3)</sup> Within any 10 ms, e.g., after synchronization to a LIN frame. (The PLL settings must not change in these 10 ms.)	P_3.1.3
Absolute accuracy	$f_{TRIMABSA}$	-1.5	–	1.5	%	Including temperature and lifetime deviation; $-40^\circ\text{C} \leq T_j \leq 150^\circ\text{C}$	P_3.1.4
Absolute accuracy, extended temperature range	$f_{TRIMABSA\_HT}$	-2.0	–	2.0	%	Including temperature and lifetime deviation; $150^\circ\text{C} \leq T_j \leq 175^\circ\text{C}$	P_3.1.18
CGU-OSC start-up time	$t_{OSC}$	–	–	10	$\mu\text{s}$	<sup>3)</sup> Start-up time OSC from Sleep mode, power supply stable	P_3.1.5
<b>PLL (Clock generation unit microcontroller)<sup>3)</sup></b>							
VCO frequency range mode 0	$f_{VCO-0}$	48	–	112	MHz	VCOSEL = "0"	P_3.1.6
VCO frequency range mode 1	$f_{VCO-1}$	96	–	160	MHz	VCOSEL = "1"	P_3.1.7
Input frequency range	$f_{OSC}$	4	–	16	MHz	–	P_3.1.8
XTAL1 input frequency range	$f_{OSC}$	4	–	16	MHz	–	P_3.1.9
Output frequency range	$f_{PLL}$	0.04687	–	80	MHz	–	P_3.1.10
Free-running frequency mode 0	$f_{VCOfree\_0}$	–	–	38	MHz	VCOSEL = "0"	P_3.1.11

## Electrical characteristics

**Table 27 Electrical characteristics of the system clocks** (cont'd)

$V_S = 5.5\text{ V to }28\text{ V}$ ,  $T_j = -40^\circ\text{C to }+175^\circ\text{C}$ , all voltages with respect to ground, positive current flowing into pin (unless otherwise specified).

Parameter	Symbol	Values			Unit	Note or Test Condition	Number
		Min.	Typ.	Max.			
Free-running frequency mode 1	$f_{\text{VCOfree}_1}$	–	–	76	MHz	VCOSEL = "1"	P_3.1.12
Input clock high/low time	$t_{\text{high/low}}$	10	–	–	ns	–	P_3.1.13
Peak period jitter	$t_{\text{jp}}$	-500	–	500	ps	<sup>4)</sup> for K = 1	P_3.1.14
Accumulated jitter	jacc	–	–	5	ns	<sup>4)</sup> for K = 1	P_3.1.15
Lock-in time	$t_L$	–	–	200	$\mu\text{s}$	–	P_3.1.16

1) The typical oscillator frequency is 5 MHz.

2)  $V_{\text{DDC}} = 1.5\text{ V}$ ,  $T_j = 25^\circ\text{C}$ .

3) Not subject to production test, specified by design.

4) This parameter is valid for PLL operation with an external clock source and thus reflects the real PLL performance.

### 29.3.2 External clock parameters XTAL1, XTAL2

**Table 28 Functional range**

$V_S = 5.5\text{ V to }28\text{ V}$ ,  $T_j = -40^\circ\text{C to }+175^\circ\text{C}$ , all voltages with respect to ground, positive current flowing into pin (unless otherwise specified).<sup>1)</sup>

Parameter	Symbol	Values			Unit	Note or Test Condition	Number
		Min.	Typ.	Max.			
Input voltage range limits for signal on XTAL1	$V_{\text{IX1\_SR}}$	$-1.7 + V_{\text{DDC}}$	–	1.7	V	<sup>2)</sup>	P_3.2.1
Input voltage (amplitude) on XTAL1	$V_{\text{AX1\_SR}}$	$0.3 \times V_{\text{DDC}}$	–	–	V	<sup>3)</sup> Peak-to-peak voltage	P_3.2.2
XTAL1 input current	$I_{\text{IL}}$	–	–	$\pm 20$	$\mu\text{A}$	$0\text{ V} < V_{\text{IN}} < V_{\text{DDI}}$	P_3.2.3
Oscillator frequency	$f_{\text{OSC}}$	4	–	24	MHz	Clock signal	P_3.2.4
Oscillator frequency	$f_{\text{OSC}}$	4	–	16	MHz	Crystal or resonator	P_3.2.5
High time	$t_1$	6	–	–	ns	–	P_3.2.6
Low time	$t_2$	6	–	–	ns	–	P_3.2.7
Rise time	$t_3$	–	8	8	ns	–	P_3.2.8
Fall time	$t_4$	–	8	8	ns	–	P_3.2.9

1) This parameter table is not subject to production test, specified by design.

2) Overload conditions must not occur on pin XTAL1.

3) The amplitude voltage  $V_{\text{AX1}}$  refers to the offset voltage  $V_{\text{OFF}}$ . This offset voltage must be stable during the operation and the resulting voltage peaks must remain within the limits defined by  $V_{\text{IX1}}$ .

## Electrical characteristics

### 29.4 Flash memory

This chapter includes the parameters for the 64 kByte embedded flash module.

#### 29.4.1 Flash parameters

**Table 29 Flash characteristics<sup>1)</sup>**

$V_S = 3.0\text{ V}$  to  $28\text{ V}$ ,  $T_j = -40^\circ\text{C}$  to  $+175^\circ\text{C}$ , all voltages with respect to ground, positive current flowing into pin (unless otherwise specified).

Parameter	Symbol	Values			Unit	Note or Test Condition	Number
		Min.	Typ.	Max.			
Programming time per 128 byte page	$t_{PR}$	–	3 <sup>2)</sup>	3.5	ms	<sup>3)</sup> $3\text{ V} \leq V_S \leq 28\text{ V}$	P_4.1.1
Erase time per sector or page	$t_{ER}$	–	4 <sup>2)</sup>	4.5	ms	<sup>3)</sup> $3\text{ V} \leq V_S \leq 28\text{ V}$	P_4.1.2
Data retention time	$t_{RET}$	20	–	–	year	1,000 erase/program cycles	P_4.1.3
Data retention time	$t_{RET}$	50	–	–	year	1,000 erase/program cycles $T_j = 30^\circ\text{C}$ <sup>4)</sup>	P_4.1.9
Flash erase endurance for pages in user sectors	$N_{ER}$	30	–	–	kilocycles	Data retention time 5 years	P_4.1.4
Flash erase endurance for security pages	$N_{SEC}$	10	–	–	cycles	<sup>5)</sup> Data retention time 20 years	P_4.1.5
Drain disturb limit	$N_{DD}$	32	–	–	kilocycles	<sup>6)</sup>	P_4.1.6
Junction temperature range 1	$T_{j\_extend\_1}$	-40	–	150	°C		P_4.1.10
Junction temperature range 2	$T_{j\_extend\_2}$	-40	–	165	°C	<sup>1)</sup> Incl. flash erase/write/read	P_4.1.11
Junction temperature range 3	$T_{j\_extend\_3}$	165	–	175	°C	<sup>1)</sup> Incl. flash read	P_4.1.12

1) Not subject to production test, specified by design.

2) Programming and erase times depend on the internal flash clock source. The control state machine needs a few system clock cycles. The requirement is only relevant for extremely low system frequencies.

3) While the flash memory is being programmed or erased, flash read operation is not possible to be performed.

4) Determined by extrapolating of lifetime tests.

5)  $T_j = 25^\circ\text{C}$ .

6) This parameter limits the number of subsequent programming operations within a physical sector without a given page in this sector being (re-)programmed. The drain disturb limit is applicable if wordline erase is used repeatedly. For normal sector erase/program cycles, this limit will not be violated. For data sectors, the integrated EEPROM emulation firmware routines handle this limit automatically. For wordline erases in code sectors (without EEPROM emulation), it is recommended to execute a software-based refresh, which use of the integrated NVMBRNG random number generator to statistically start a refresh.

Electrical characteristics

29.5 Parallel ports (GPIO)

29.5.1 Description of the keep and force currents

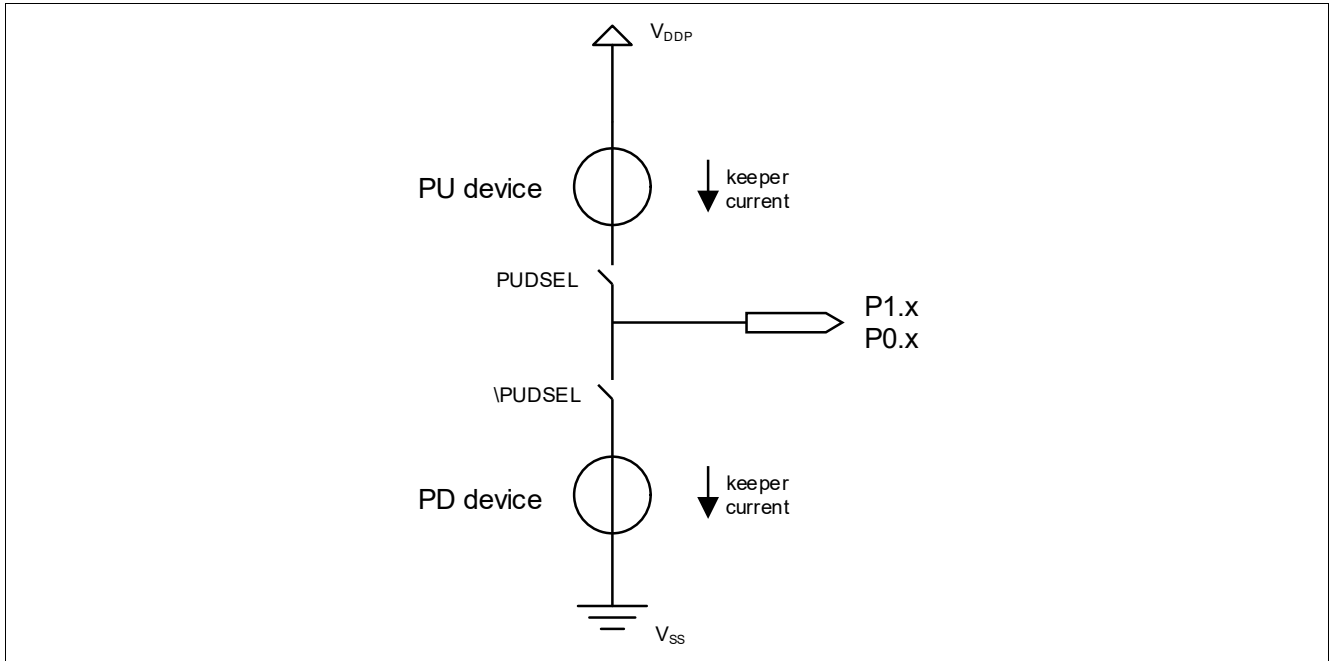


Figure 33 Pull-up/down device

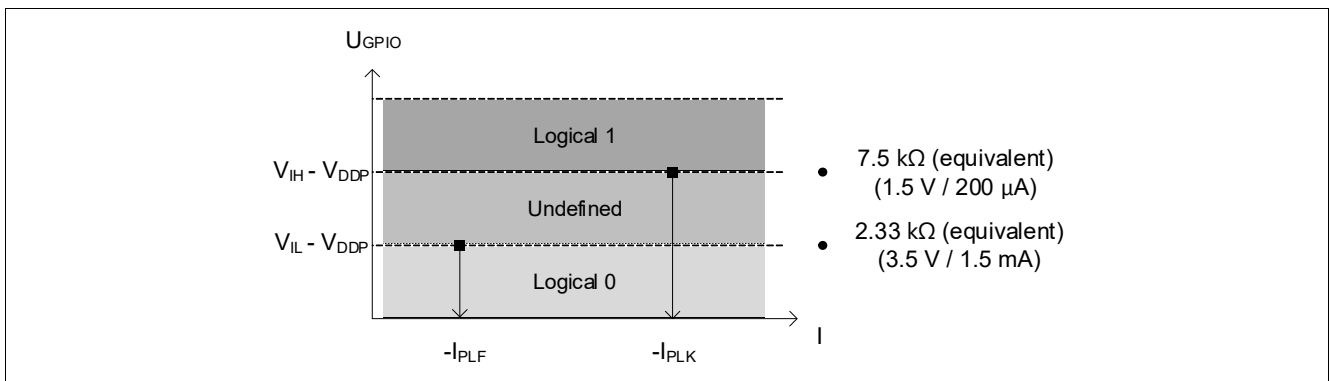


Figure 34 Pull-up keep and force currents

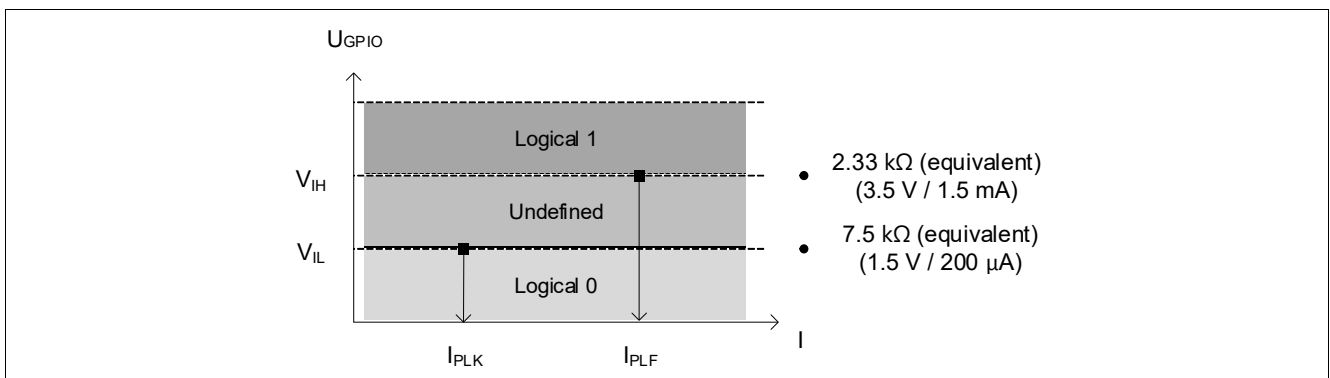


Figure 35 Pull-down keep and force currents

## Electrical characteristics

### 29.5.2 DC parameters of port 0, port 1, TMS, and reset

*Note:* Operating conditions apply.  
Keeping signal levels within the limits specified in this table ensures operation without overload conditions. For signal levels outside these specifications, also refer to the specification of the maximum allowed current that can be taken out of VDDP.

**Table 30** Current limits for port output drivers<sup>1)</sup>

Port output driver mode	Maximum output current ( $I_{OLmax}$ - $I_{OHmax}$ )		Maximum output current ( $I_{OLnom}$ - $I_{OHnom}$ )		Number
	$V_{DDP} \geq 4.5\text{ V}$	$2.6\text{ V} < V_{DDP} < 4.5\text{ V}$	$V_{DDP} \geq 4.5\text{ V}$	$2.6\text{ V} < V_{DDP} < 4.5\text{ V}$	
Strong driver <sup>2)</sup>	5 mA	3 mA	1.6 mA	1.0 mA	P_5.1.15
Medium driver <sup>3)</sup>	3 mA	1.8 mA	1.0 mA	0.8 mA	P_5.1.1
Weak driver <sup>3)</sup>	0.5 mA	0.3 mA	0.25 mA	0.15 mA	P_5.1.2

- 1) Not subject to production test, specified by design.  
2) Not available for port pins P0.4, P1.0, P1.1, and P1.2.  
3) All P0.x and P1.x pins.

**Table 31** DC characteristics of port0 and port1

$V_S = 5.5\text{ V}$  to  $28\text{ V}$ ,  $T_j = -40^\circ\text{C}$  to  $+175^\circ\text{C}$ , all voltages with respect to ground, positive current flowing into pin (unless otherwise specified).

Parameter	Symbol	Values			Unit	Note or Test Condition	Number
		Min.	Typ.	Max.			
Input hysteresis	$HYS_{P0\_P1}$	$0.11 \times V_{DDP}$	–	–	V	<sup>1)</sup> Series resistance = $0\ \Omega$ ; $4.5\text{ V} \leq V_{DDP} \leq 5.5\text{ V}$	P_5.1.5
Input hysteresis	$HYS_{P0\_P1\_extend}$	–	$0.09 \times V_{DDP}$	–	V	<sup>1)</sup> Series resistance = $0\ \Omega$ ; $2.6\text{ V} \leq V_{DDP} \leq 4.5\text{ V}$	P_5.1.16
Input low voltage	$V_{IL}$	-0.3	–	$0.3 \times V_{DDP}$	V	<sup>2)</sup> $4.5\text{ V} \leq V_{DDP} \leq 5.5\text{ V}$	P_5.1.3
Input low voltage	$V_{IL\_extend}$	-0.3	$0.42 \times V_{DDP}$	–	V	<sup>1)</sup> $2.6\text{ V} \leq V_{DDP} \leq 4.5\text{ V}$	P_5.1.17
Input high voltage	$V_{IH}$	$0.7 \times V_{DDP}$	–	$V_{DDP} + 0.3$	V	<sup>2)</sup> $4.5\text{ V} \leq V_{DDP} \leq 5.5\text{ V}$	P_5.1.4
Input high voltage	$V_{IH\_extend}$	–	$0.52 \times V_{DDP}$	$V_{DDP} + 0.3$	V	<sup>1)</sup> $2.6\text{ V} \leq V_{DDP} \leq 4.5\text{ V}$	P_5.1.18
Output low voltage	$V_{OL}$	–	–	1.0	V	<sup>3)4)</sup> $I_{OL} \leq I_{OLmax}$	P_5.1.6
Output low voltage	$V_{OL}$	–	–	0.4	V	<sup>3)5)</sup> $I_{OL} \leq I_{OLnom}$	P_5.1.7
Output high voltage	$V_{OH}$	$V_{DDP} - 1.0$	–	–	V	<sup>3)4)</sup> $I_{OH} \geq I_{OHmax}$	P_5.1.8
Output high voltage	$V_{OH}$	$V_{DDP} - 0.4$	–	–	V	<sup>3)5)</sup> $I_{OH} \geq I_{OHnom}$	P_5.1.9
Input leakage current	$I_{OZ\_extend1}$	-500	–	500	nA	$-40^\circ\text{C} \leq T_j \leq 25^\circ\text{C}$ , $0.45\text{ V} < V_{IN} < V_{DDP}$	P_5.1.20
Input leakage current	$I_{OZ1}$	-5	–	5	$\mu\text{A}$	<sup>6)</sup> $25^\circ\text{C} < T_j \leq 85^\circ\text{C}$ , $0.45\text{ V} < V_{IN} < V_{DDP}$	P_5.1.10
Input leakage current	$I_{OZ\_extend2}$	-15	–	15	$\mu\text{A}$	$85^\circ\text{C} < T_j \leq 150^\circ\text{C}$ , $0.45\text{ V} < V_{IN} < V_{DDP}$	P_5.1.21

## Electrical characteristics

**Table 31 DC characteristics of port0 and port1 (cont'd)**

$V_S = 5.5 \text{ V to } 28 \text{ V}$ ,  $T_j = -40^\circ\text{C to } +175^\circ\text{C}$ , all voltages with respect to ground, positive current flowing into pin (unless otherwise specified).

Parameter	Symbol	Values			Unit	Note or Test Condition	Number
		Min.	Typ.	Max.			
Input leakage current	$I_{OZ\_extend3}$	-20	-	20	$\mu\text{A}$	$85^\circ\text{C} < T_j \leq 175^\circ\text{C}$ , $0.45 \text{ V} < V_{IN} < V_{DDP}$	P_5.1.11
Pull level keep current	$I_{PLK}$	-200	-	200	$\mu\text{A}$	<sup>7)</sup> $V_{PIN} \geq V_{IH}$ (up) $V_{PIN} \leq V_{IL}$ (down)	P_5.1.12
Pull level force current	$I_{PLF}$	-1.5	-	1.5	$\text{mA}$	<sup>7)</sup> $V_{PIN} \leq V_{IL}$ (up) $V_{PIN} \geq V_{IH}$ (down)	P_5.1.13
Pin capacitance	$C_{IO}$	-	-	10	$\text{pF}$	<sup>1)</sup>	P_5.1.14

### Reset pin timing

Reset pin input filter time	$t_{filt\_RESET}$	-	5	-	$\mu\text{s}$	<sup>1)</sup>	P_5.1.19
-----------------------------	-------------------	---	---	---	---------------	---------------	----------

- 1) Not subject to production test, specified by design.
- 2) Tested at  $V_{DDP} = 5 \text{ V}$ , specified for  $4.5 \text{ V} < V_{DDP} < 5.5 \text{ V}$ .
- 3) The maximum deliverable output current of a port driver depends on the selected output driver mode. The limit for pin groups must be respected.
- 4) Tested at  $4.9 \text{ V} < V_{DDP} < 5.1 \text{ V}$ ,  $I_{OL} = 4 \text{ mA}$ ,  $I_{OH} = -4 \text{ mA}$ , specified for  $4.5 \text{ V} < V_{DDP} < 5.5 \text{ V}$ .
- 5) As a rule, with decreasing output current the output levels approach the respective supply level ( $V_{OL} \rightarrow GND$ ,  $V_{OH} \rightarrow V_{DDP}$ ). Tested at  $4.9 \text{ V} < V_{DDP} < 5.1 \text{ V}$ ,  $I_{OL} = 1 \text{ mA}$ ,  $I_{OH} = -1 \text{ mA}$ .
- 6) The given values are worst-case values. In production tests, this leakage current is only tested at  $150^\circ\text{C}$ ; other values are ensured by correlation. For derating, please refer to the following descriptions:  
 Leakage derating depending on temperature ( $T_j = \text{junction temperature } [^\circ\text{C}]$ ):  
 $I_{OZ} = 0.05 \times e^{(1.5 + 0.028 \times T_j)} [\mu\text{A}]$ . For example, at a temperature of  $95^\circ\text{C}$ , the resulting leakage current is  $3.2 \mu\text{A}$ .  
 Leakage derating depending on the voltage level ( $DV = V_{DDP} - V_{PIN} [\text{V}]$ ):  
 $I_{OZ} = I_{OZtempmax} - (1.6 \times DV) [\mu\text{A}]$   
 This voltage derating formula is an approximation which applies for the maximum temperature.
- 7) Keep current: Limit the current through this pin to the indicated value so that the enabled pull device can keep the default pin level:  $V_{PIN} \geq V_{IH}$  for a pull-up;  $V_{PIN} \leq V_{IL}$  for a pull-down.  
 Force current: Drive the indicated minimum current through this pin to change the default pin level driven by the enabled pull device:  $V_{PIN} \leq V_{IL}$  for a pull-up;  $V_{PIN} \geq V_{IH}$  for a pull-down.  
 These values apply to the fixed pull devices in dedicated pins and to the user-selectable pull devices in general-purpose IO pins.



## Electrical characteristics

### 29.5.3 DC parameters of port 2

These parameters apply to the IO voltage range  $4.5\text{ V} \leq V_{DDP} \leq 5.5\text{ V}$ .

*Note:* Operating conditions apply.  
Keeping signal levels within the limits specified in this table ensures operation without overload conditions. For signal levels outside these specifications, also refer to the specification of the overload current  $I_{OV}$ .

**Table 32 DC characteristics of port 2**

$V_S = 5.5\text{ V}$  to  $28\text{ V}$ ,  $T_j = -40^\circ\text{C}$  to  $+175^\circ\text{C}$ , all voltages with respect to ground, positive current flowing into pin (unless otherwise specified).

Parameter	Symbol	Values			Unit	Note or Test Condition	Number
		Min.	Typ.	Max.			
Input low voltage	$V_{IL}$	-0.3	–	$0.3 \times V_{DDP}$	V	<sup>1)</sup> $4.5\text{ V} \leq V_{DDP} \leq 5.5\text{ V}$	P_5.2.1
Input low voltage	$V_{IL\_extend}$	-0.3	$0.42 \times V_{DDP}$	–	V	<sup>2)</sup> $2.6\text{ V} \leq V_{DDP} \leq 4.5\text{ V}$	P_5.2.10
Input high voltage	$V_{IH}$	$0.7 \times V_{DDP}$	–	$V_{DDP} + 0.3$	V	<sup>1)</sup> $4.5\text{ V} \leq V_{DDP} \leq 5.5\text{ V}$	P_5.2.2
Input high voltage	$V_{IH\_extend}$	–	$0.52 \times V_{DDP}$	$V_{DDP} + 0.3$	V	<sup>2)</sup> $2.6\text{ V} \leq V_{DDP} \leq 4.5\text{ V}$	P_5.2.11
Input hysteresis	$HYS_{P2}$	$0.11 \times V_{DDP}$	–	–	V	<sup>2)</sup> Series resistance = $0\ \Omega$ ; $4.5\text{ V} \leq V_{DDP} \leq 5.5\text{ V}$	P_5.2.3
Input hysteresis	$HYS_{P2\_extend}$	–	$0.09 \times V_{DDP}$	–	V	<sup>2)</sup> Series resistance = $0\ \Omega$ ; $2.6\text{ V} \leq V_{DDP} < 4.5\text{ V}$	P_5.2.12
Input leakage current	$I_{OZ2}$	-400	–	400	nA	<sup>3)</sup> $T_j \leq 85^\circ\text{C}$ , $0\text{ V} < V_{IN} < V_{DDP}$	P_5.2.4
Input leakage current, extended temperature range for port pin P2.0	$I_{OZ2\_HT\_P2\_0}$	-2500	–	2500	nA	<sup>3)</sup> $85^\circ\text{C} < T_j \leq 175^\circ\text{C}$ , $0\text{ V} < V_{IN} < V_{DDP}$	P_5.2.14
Input leakage current, extended temperature range for all other P2.x	$I_{OZ2\_HT\_P2\_x}$	-1500	–	1500	nA	<sup>3)</sup> $85^\circ\text{C} < T_j \leq 175^\circ\text{C}$ , $0\text{ V} < V_{IN} < V_{DDP}$	P_5.2.13
Pull-level keep current	$I_{PLK}$	-30	–	30	$\mu\text{A}$	<sup>4)</sup> $-40^\circ\text{C} < T_j \leq 150^\circ\text{C}$ , $V_{PIN} \geq V_{IH}$ (up) $V_{PIN} \leq V_{IL}$ (down)	P_5.2.5
Pull-level keep current, extended temperature range	$I_{PLK\_HT\_P2}$	-27	–	27	$\mu\text{A}$	<sup>4)</sup> $150^\circ\text{C} < T_j \leq 175^\circ\text{C}$ , $V_{PIN} \geq V_{IH}$ (up) $V_{PIN} \leq V_{IL}$ (down)	P_5.2.15
Pull-level force current	$I_{PLF}$	-750	–	750	$\mu\text{A}$	<sup>4)</sup> $V_{PIN} \leq V_{IL}$ (up) $V_{PIN} \geq V_{IH}$ (down)	P_5.2.6
Pin capacitance (digital inputs/outputs)	$C_{IO}$	–	–	10	pF	<sup>2)</sup>	P_5.2.7

1) Tested at  $V_{DDP} = 5\text{ V}$ , specified for  $4.5\text{ V} < V_{DDP} < 5.5\text{ V}$ .

2) Not subject to production test, specified by design.

3) An additional error current ( $I_{INJ}$ ) will flow if an overload current flows through an adjacent pin.

---

**Electrical characteristics**

- 4) Keep current: Limit the current through this pin to the indicated value so that the enabled pull device can keep the default pin level:  $V_{\text{PIN}} \geq V_{\text{IH}}$  for a pull-up;  $V_{\text{PIN}} \leq V_{\text{IL}}$  for a pull-down.  
Force current: Drive the indicated minimum current through this pin to change the default pin level driven by the enabled pull device:  $V_{\text{PIN}} \leq V_{\text{IL}}$  for a pull-up;  $V_{\text{PIN}} \geq V_{\text{IH}}$  for a pull-down.

## Electrical characteristics

### 29.6 LIN transceiver

#### 29.6.1 Electrical characteristics

**Table 33 Electrical characteristics of the LIN transceiver**

$V_S = 5.5\text{ V to }18\text{ V}$ ,  $T_j = -40^\circ\text{C to }+175^\circ\text{C}$ , all voltages with respect to ground, positive current flowing into pin (unless otherwise specified).

Parameter	Symbol	Values			Unit	Note or Test Condition	Number
		Min.	Typ.	Max.			
<b>Bus receiver interface</b>							
Receiver threshold voltage, recessive to dominant edge	$V_{th\_dom}$	$0.4 \times V_S$	$0.45 \times V_S$	$0.53 \times V_S$	V	SAE J2602	P_6.1.1
Receiver dominant state	$V_{BUSdom}$	-27	–	$0.4 \times V_S$	V	LIN spec 2.2 (par. 17)	P_6.1.2
Receiver threshold voltage, dominant to recessive edge	$V_{th\_rec}$	$0.47 \times V_S$	$0.55 \times V_S$	$0.6 \times V_S$	V	SAE J2602	P_6.1.3
Receiver recessive state	$V_{BUSrec}$	$0.6 \times V_S$	–	$1.15 \times V_S$	V	<sup>1)</sup> LIN spec 2.2 (par. 18)	P_6.1.4
Receiver center voltage	$V_{BUS\_CNT}$	$0.475 \times V_S$	$0.5 \times V_S$	$0.525 \times V_S$	V	<sup>2)</sup> LIN spec 2.2 (par. 19)	P_6.1.5
Receiver hysteresis	$V_{HYS}$	$0.07 \times V_S$	$0.12 \times V_S$	$0.175 \times V_S$	V	<sup>3)</sup> LIN spec 2.2 (par. 20)	P_6.1.6
Wake-up threshold voltage	$V_{BUS,wk}$	$0.4 \times V_S$	$0.5 \times V_S$	$0.6 \times V_S$	V	–	P_6.1.7
Dominant time for bus wake-up (internal analog filter delay)	$t_{WK,bus}$	3	–	15	$\mu\text{s}$	The overall dominant time for bus wake-up is the sum of $t_{WK,bus}$ and the adjustable digital filter time. The digital filter time can be adjusted by setting the PMU.CNF_WAKE_FILTE R.CNF_LIN_FT register	P_6.1.8
<b>Bus transmitter interface</b>							
Bus recessive output voltage	$V_{BUS,ro}$	$0.8 \times V_S$	–	$V_S$	V	$V_{TXD} = \text{high level}$	P_6.1.9
Bus dominant output voltage	$V_{BUS,do}$	–	–	$0.22 \times V_S$	V	Driver dominant voltage $R_L = 500\ \Omega$	P_6.1.78

## Electrical characteristics

**Table 33 Electrical characteristics of the LIN transceiver (cont'd)**

$V_S = 5.5\text{ V}$  to  $18\text{ V}$ ,  $T_j = -40^\circ\text{C}$  to  $+175^\circ\text{C}$ , all voltages with respect to ground, positive current flowing into pin (unless otherwise specified).

Parameter	Symbol	Values			Unit	Note or Test Condition	Number
		Min.	Typ.	Max.			
Bus short circuit current	$I_{\text{BUS,sc}}$	40	100	150	mA	Current limitation for driver-dominant state driver on $V_{\text{BUS}} = 18\text{ V}$ ; LIN spec 2.2 (par. 12)	P_6.1.10
Bus short circuit filter time	$t_{\text{BUS,sc}}$	–	5	–	$\mu\text{s}$	<sup>6)</sup> The overall bus short circuit filter time is the sum of $t_{\text{BUS,sc}}$ and the digital filter time. The digital filter time is $4\ \mu\text{s}$ (typ.)	P_6.1.71
Leakage current (loss of ground)	$I_{\text{BUS_NO\_GND}}$	-1000	-450	1000	$\mu\text{A}$	$V_S = 12\text{ V}$ ; $0\text{ V} < V_{\text{BUS}} < 18\text{ V}$ ; LIN spec 2.2 (par. 15)	P_6.1.11
Leakage current	$I_{\text{BUS_NO\_BAT}}$	–	10	20	$\mu\text{A}$	$V_S = 0\text{ V}$ ; $V_{\text{BUS}} = 18\text{ V}$ ; LIN spec 2.2 (par. 16)	P_6.1.12
Leakage current	$I_{\text{BUS_PAS\_dom}}$	-1	–	–	mA	$V_S = 18\text{ V}$ ; $V_{\text{BUS}} = 0\text{ V}$ ; LIN spec 2.2 (par. 13)	P_6.1.13
Leakage current	$I_{\text{BUS_PAS\_rec}}$	–	–	20	$\mu\text{A}$	$V_S = 8\text{ V}$ ; $V_{\text{BUS}} = 18\text{ V}$ ; LIN spec 2.2 (par. 14)	P_6.1.14
Bus pull-up resistance	$R_{\text{BUS}}$	20	30	47	k $\Omega$	Normal mode, LIN spec 2.2 (par. 26)	P_6.1.15

### AC characteristics - transceiver Normal Slope mode

Propagation delay bus dominant to RxD LOW	$t_{\text{d(L),R}}$	0.1	–	6	$\mu\text{s}$	LIN spec 2.2 (par. 31)	P_6.1.16
Propagation delay bus recessive to RxD HIGH	$t_{\text{d(H),R}}$	0.1	–	6	$\mu\text{s}$	LIN spec 2.2 (par. 31)	P_6.1.17
Receiver delay symmetry	$t_{\text{sym,R}}$	-2	–	2	$\mu\text{s}$	$t_{\text{sym,R}} = t_{\text{d(L),R}} - t_{\text{d(H),R}}$ ; LIN spec 2.2 (par. 32)	P_6.1.18
Duty cycle D1 Normal Slope mode (for worst case at 20 kbit/s)	$t_{\text{duty1}}$	0.396	–	–		<sup>4)</sup> Duty cycle D1 $TH_{\text{Rec}}(\text{max}) = 0.744 \times V_S$ ; $TH_{\text{Dom}}(\text{max}) = 0.581 \times V_S$ ; $V_S = 5.5\text{ V} \dots 18\text{ V}$ ; $t_{\text{bit}} = 50\ \mu\text{s}$ ; $D1 = t_{\text{bus\_rec}(\text{min})} / 2 t_{\text{bit}}$ ; LIN spec 2.2 (par. 27)	P_6.1.19

## Electrical characteristics

**Table 33 Electrical characteristics of the LIN transceiver (cont'd)**

$V_S = 5.5\text{ V to }18\text{ V}$ ,  $T_j = -40^\circ\text{C to }+175^\circ\text{C}$ , all voltages with respect to ground, positive current flowing into pin (unless otherwise specified).

Parameter	Symbol	Values			Unit	Note or Test Condition	Number
		Min.	Typ.	Max.			
Duty cycle D2 Normal Slope mode (for worst case at 20 kbit/s)	$t_{\text{duty}2}$	–	–	0.581		<sup>4)</sup> Duty cycle D2 $TH_{\text{Rec}}(\text{min}) = 0.422 \times V_S$ ; $TH_{\text{Dom}}(\text{min}) = 0.284 \times V_S$ ; $V_S = 5.5\text{ V} \dots 18\text{ V}$ ; $t_{\text{bit}} = 50\ \mu\text{s}$ ; $D2 = t_{\text{bus\_rec}(\text{max})} / 2 t_{\text{bit}}$ ; LIN spec 2.2 (par. 28)	P_6.1.20

### AC characteristics - transceiver Low Slope mode

Propagation delay bus dominant to RxD LOW	$t_{\text{d(L),R}}$	0.1	–	6	$\mu\text{s}$	LIN spec 2.2 (par. 31)	P_6.1.21
Propagation delay bus recessive to RxD HIGH	$t_{\text{d(H),R}}$	0.1	–	6	$\mu\text{s}$	LIN spec 2.2 (par. 31)	P_6.1.22
Receiver delay symmetry	$t_{\text{sym,R}}$	-2	–	2	$\mu\text{s}$	$t_{\text{sym,R}} = t_{\text{d(L),R}} - t_{\text{d(H),R}}$ ; LIN spec 2.2 (par. 32)	P_6.1.23
Duty cycle D3 (for worst case at 10.4 kbit/s)	$t_{\text{duty}1}$	0.417	–	–		<sup>4)</sup> Duty cycle D3 $TH_{\text{Rec}}(\text{max}) = 0.778 \times V_S$ ; $TH_{\text{Dom}}(\text{max}) = 0.616 \times V_S$ ; $V_S = 5.5\text{ V} \dots 18\text{ V}$ ; $t_{\text{bit}} = 96\ \mu\text{s}$ ; $D3 = t_{\text{bus\_rec}(\text{min})} / 2 t_{\text{bit}}$ ; LIN spec 2.2 (par. 29)	P_6.1.24
Duty cycle D4 (for worst case at 10.4 kbit/s)	$t_{\text{duty}2}$	–	–	0.590		<sup>4)</sup> Duty cycle D4 $TH_{\text{Rec}}(\text{min}) = 0.389 \times V_S$ ; $TH_{\text{Dom}}(\text{min}) = 0.251 \times V_S$ ; $V_S = 5.5\text{ V} \dots 18\text{ V}$ ; $t_{\text{bit}} = 96\ \mu\text{s}$ ; $D4 = t_{\text{bus\_rec}(\text{max})} / 2 t_{\text{bit}}$ ; LIN spec 2.2 (par. 30)	P_6.1.25

### AC characteristics - transceiver Fast Slope mode

Propagation delay bus dominant to RxD LOW	$t_{\text{d(L),R}}$	0.1	–	6	$\mu\text{s}$	–	P_6.1.26
Propagation delay bus recessive to RxD HIGH	$t_{\text{d(H),R}}$	0.1	–	6	$\mu\text{s}$	–	P_6.1.27
Receiver delay symmetry	$t_{\text{sym,R}}$	-1.5	–	1.5	$\mu\text{s}$	$t_{\text{sym,R}} = t_{\text{d(L),R}} - t_{\text{d(H),R}}$ ; $-40^\circ\text{C} \leq T_j \leq 150^\circ\text{C}$	P_6.1.28
Receiver delay symmetry- Extended temperature range	$t_{\text{sym,R\_HT}}$	-2.0	–	2.0	$\mu\text{s}$	$t_{\text{sym,R}} = t_{\text{d(L),R}} - t_{\text{d(H),R}}$ ; $150^\circ\text{C} < T_j \leq 175^\circ\text{C}$	P_6.1.74

## Electrical characteristics

**Table 33 Electrical characteristics of the LIN transceiver (cont'd)**

$V_S = 5.5\text{ V to }18\text{ V}$ ,  $T_j = -40^\circ\text{C to }+175^\circ\text{C}$ , all voltages with respect to ground, positive current flowing into pin (unless otherwise specified).

Parameter	Symbol	Values			Unit	Note or Test Condition	Number
		Min.	Typ.	Max.			
<b>AC characteristics - Flash mode</b>							
Propagation delay bus dominant to RxD LOW	$t_{d(L),R}$	0.1	–	6	$\mu\text{s}$	–	P_6.1.31
Propagation delay bus recessive to RxD HIGH	$t_{d(H),R}$	0.1	–	6	$\mu\text{s}$	–	P_6.1.32
Receiver delay symmetry	$t_{\text{sym},R}$	-1.0	–	1.5	$\mu\text{s}$	$t_{\text{sym},R} = t_{d(L),R} - t_{d(H),R}$	P_6.1.33
Duty cycle D7 (for worst case at 115 kbit/s) for +1 $\mu\text{s}$ receiver delay symmetry	$t_{\text{duty}1}$	0.399	–	–		<sup>5)</sup> Duty cycle D7 $TH_{\text{Rec}}(\text{max}) = 0.744 \times V_S$ ; $TH_{\text{Dom}}(\text{max}) = 0.581 \times V_S$ ; $V_S = 13.5\text{ V}$ ; $t_{\text{bit}} = 8.7\ \mu\text{s}$ ; $D7 = t_{\text{bus\_rec}(\text{min})} / 2 t_{\text{bit}}$	P_6.1.34
Duty cycle D8 (for worst case at 115 kbit/s) for +1 $\mu\text{s}$ receiver delay symmetry	$t_{\text{duty}2}$	–	–	0.578		<sup>5)</sup> Duty cycle D8 $TH_{\text{Rec}}(\text{min}) = 0.422 \times V_S$ ; $TH_{\text{Dom}}(\text{min}) = 0.284 \times V_S$ ; $V_S = 13.5\text{ V}$ ; $t_{\text{bit}} = 8.7\ \mu\text{s}$ ; $D8 = t_{\text{bus\_rec}(\text{max})} / 2 t_{\text{bit}}$	P_6.1.35
LIN input capacity	$C_{\text{LIN\_IN}}$	–	15	30	pF	<sup>6)</sup>	P_6.1.69
TxD dominant time out	$t_{\text{timeout}}$	6	12	20	ms	$V_{\text{TxD}} = 0\text{ V}$	P_6.1.36
<b>Thermal shutdown (junction temperature)</b>							
Thermal shutdown temperature	$T_{\text{jSD}}$	190	200	215	$^\circ\text{C}$	<sup>6)</sup>	P_6.1.65
Thermal shutdown hysteresis	$\Delta T$	–	10	–	K	<sup>6)</sup>	P_6.1.66

1) Maximum limit specified by design.

2)  $V_{\text{BUS\_CNT}} = (V_{\text{th\_dom}} + V_{\text{th\_rec}}) / 2$ .

3)  $V_{\text{HYS}} = V_{\text{BUSrec}} - V_{\text{BUSdom}}$ .

4) Bus load concerning LIN spec 2.2:

$$\text{Load 1} = 1\text{ nF} / 1\text{ k}\Omega = C_{\text{BUS}} / R_{\text{BUS}}$$

$$\text{Load 2} = 6.8\text{ nF} / 660\ \Omega = C_{\text{BUS}} / R_{\text{BUS}}$$

$$\text{Load 3} = 10\text{ nF} / 500\ \Omega = C_{\text{BUS}} / R_{\text{BUS}}$$

5) Bus load

$$\text{Load 1} = 1\text{ nF} / 500\ \Omega = C_{\text{BUS}} / R_{\text{BUS}}$$

6) Not subject to production test, specified by design.

Electrical characteristics

29.7 High-speed synchronous serial interface

29.7.1 SSC timing parameters

The table below provides the SSC timing in the TLE9877QTW40.

**Table 34 SSC master mode timing (operating conditions apply; CL = 50 pF)**

$V_S = 5.5\text{ V to }28\text{ V}$ ,  $T_j = -40^\circ\text{C to }+175^\circ\text{C}$ , all voltages with respect to ground, positive current flowing into pin (unless otherwise specified).

Parameter	Symbol	Values			Unit	Note or Test Condition	Number
		Min.	Typ.	Max.			
SCLK clock period	$t_0$	<sup>1)</sup> $2 \times T_{SSC}$	-	-		<sup>2)</sup> $V_{DDP} > 2.7\text{ V}$	P_7.1.1
MTSR delay from SCLK	$t_1$	10	-	-	ns	<sup>2)</sup> $V_{DDP} > 2.7\text{ V}$	P_7.1.2
MRST setup to SCLK	$t_2$	10	-	-	ns	<sup>2)</sup> $V_{DDP} > 2.7\text{ V}$	P_7.1.3
MRST hold from SCLK	$t_3$	15	-	-	ns	<sup>2)</sup> $V_{DDP} > 2.7\text{ V}$	P_7.1.4

- 1)  $T_{SSCmin} = T_{CPU} = 1/f_{CPU}$ . If  $f_{CPU} = 20\text{ MHz}$ ,  $t_0 = 100\text{ ns}$ .  $T_{CPU}$  is the CPU clock period.
- 2) Not subject to production test, specified by design.

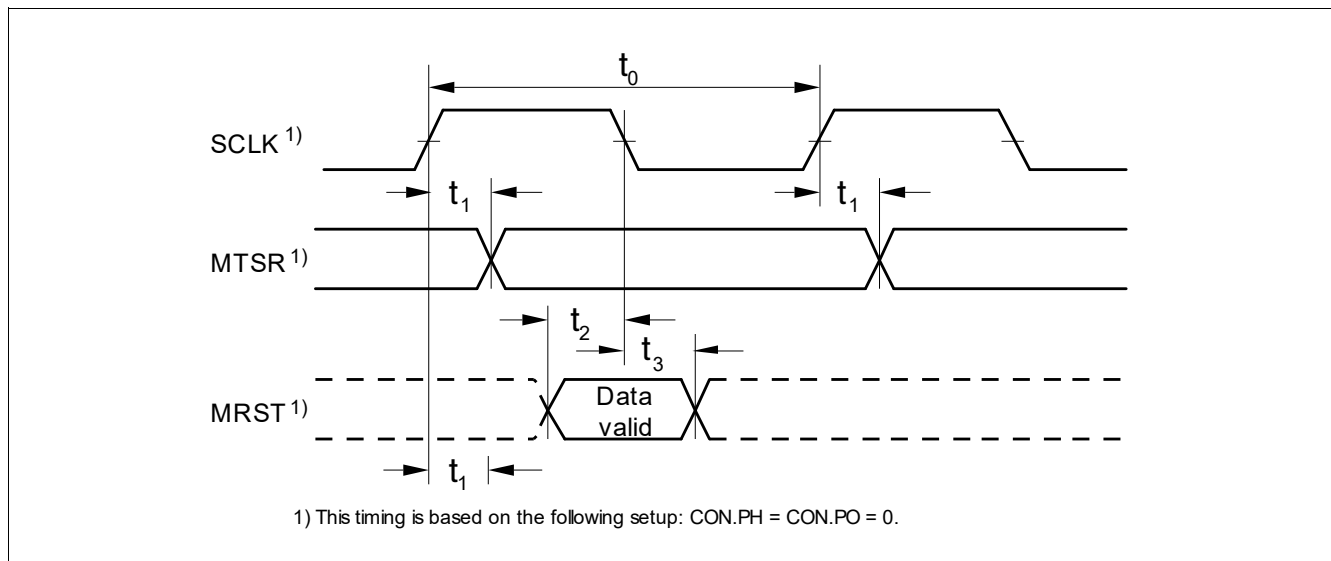


Figure 36 SSC master mode timing

## Electrical characteristics

### 29.8 Measurement unit

#### 29.8.1 System voltage measurement parameters

**Table 35** Supply voltage signal conditioning

$V_S = 5.5\text{ V to }28\text{ V}$ ,  $T_j = -40^\circ\text{C to }+175^\circ\text{C}$ , all voltages with respect to ground, positive current flowing into pin (unless otherwise specified).

Parameter	Symbol	Values			Unit	Note or Test Condition	Number
		Min.	Typ.	Max.			
Measurement output voltage range at VAREF5	$V_{A5}$	0	–	5	V	–	P_8.1.15
Measurement output voltage range at VAREF1V2	$V_{A1V2}$	0	–	1.23	V	–	P_8.1.16

#### Battery/supply voltage measurement

Input-to-output voltage attenuation: $V_S$	$ATT_{VS\_1}$	–	0.055	–		SFR setting 1	P_8.1.41
Nominal operating input voltage range $V_S$	$V_{S,range1}$	3	–	22	V	<sup>1)</sup> SFR setting 1; max. value corresponds to typ. ADC full scale input; $3\text{ V} < V_S < 28\text{ V}$	P_8.1.1
Accuracy of $V_S$ after calibration	$V_{S,range1}$	-312	–	312	mV	SFR setting 1, $V_S = 5.5\text{ V to }18\text{ V}$	P_8.1.70
Input-to-output voltage attenuation: $V_S$	$ATT_{VS\_2}$	–	0.039	–		SFR setting 2	P_8.1.42
Nominal operating input voltage range $V_S$	$V_{S,range2}$	3	–	31	V	<sup>1)</sup> SFR setting 2; max. value corresponds to typ. ADC full scale input $3\text{ V} < V_S < 28\text{ V}$	P_8.1.40
Accuracy of $V_S$ after calibration	$V_{S,range2}$	-440	–	440	mV	SFR setting 2, $V_S = 5.5\text{ V to }18\text{ V}$	P_8.1.44

#### Drivers supply voltage measurement $V_{SD}$

Input-to-output voltage attenuation: $V_{SD}$	$ATT_{VSD}$	–	0.039	–		–	P_8.1.21
Nominal operating input voltage range $V_{SD}$	$V_{SD,range}$	2.5	–	31	V	<sup>1)</sup>	P_8.1.2
Accuracy of $V_{SD}$ sense after calibration	$\Delta V_{SD}$	-440	–	440	mV	$V_S = 5.5\text{ V to }18\text{ V}$	P_8.1.47

#### Charge pump voltage measurement $V_{CP}$

Input-to-output voltage attenuation: $V_{CP}$	$ATT_{VCP}$	–	0.023	–		–	P_8.1.56
---	-------------	---	-------	---	--	---	----------



## Electrical characteristics

**Table 35 Supply voltage signal conditioning (cont'd)**

$V_S = 5.5 \text{ V to } 28 \text{ V}$ ,  $T_j = -40^\circ\text{C to } +175^\circ\text{C}$ , all voltages with respect to ground, positive current flowing into pin (unless otherwise specified).

Parameter	Symbol	Values			Unit	Note or Test Condition	Number
		Min.	Typ.	Max.			
Nominal operating input voltage range $V_{CP}$	$V_{CP,range}$	2.5	–	52	V	<sup>1)</sup>	P_8.1.7
Accuracy of $V_{CP}$ sense after calibration	$\Delta V_{CP}$	-747	–	747	mV	$V_S = 5.5 \text{ V to } 18 \text{ V}$	P_8.1.62

### Monitoring input voltage measurement $V_{MON}$

Input-to-output voltage attenuation: $V_{MON}$	$ATT_{V_{MON}}$	–	0.039	–		–	P_8.1.49
Nominal operating input voltage range $V_{MON}$	$V_{MON,range}$	2.5	–	31	V	<sup>1)</sup>	P_8.1.8
Accuracy of $V_{MON}$ sense after calibration	$\Delta V_{MON}$	-440	–	440	mV	$V_S = 5.5 \text{ V to } 18 \text{ V}$	P_8.1.68

### Pad supply voltage measurement $V_{VDDP}$

Input-to-output voltage attenuation: $V_{DDP}$	$ATT_{V_{DDP}}$	–	0.164	–		–	P_8.1.33
Nominal operating input voltage range $V_{DDP}$	$V_{DDP,range}$	0	–	7.50	V	<sup>1)</sup>	P_8.1.50
Accuracy of $V_{DDP}$ sense after calibration	$\Delta V_{DDP\_SENSE}$	-105	–	105	mV	<sup>2)</sup> $V_S = 5.5 \text{ V to } 18 \text{ V}$	P_8.1.5

### 10-bit ADC reference voltage measurement $V_{AREF}$

Input-to-output voltage attenuation: $V_{AREF}$	$ATT_{V_{AREF}}$	–	0.219	–		–	P_8.1.22
Nominal operating input voltage range $V_{AREF}$	$V_{AREF,range}$	0	–	5.62	V	<sup>1)</sup>	P_8.1.51
Accuracy of $V_{AREF}$ sense after calibration	$\Delta V_{AREF}$	-79	–	79	mV	$V_S = 5.5 \text{ V to } 18 \text{ V}$	P_8.1.48

### 8-bit ADC reference voltage measurement $V_{BG}$

Input-to-output voltage attenuation: $V_{BG}$	$ATT_{V_{BG}}$	–	0.75	–		–	P_8.1.57
Nominal operating input voltage range $V_{BG}$	$V_{BG,range}$	0.8	–	1.64	V	<sup>1)</sup>	P_8.1.52
Value of ADC2- $V_{BG}$ measurement after calibration	$V_{BG\_PMU}$	1.01	1.07	1.18	V	$-40^\circ\text{C} \leq T_j \leq 150^\circ\text{C}$	P_8.1.73
Value of ADC2- $V_{BG}$ measurement after calibration, extended temperature range	$V_{BG\_PMU\_HT}$	1.01	1.07	1.44	V	$150^\circ\text{C} < T_j \leq 175^\circ\text{C}$	P_8.1.75

## Electrical characteristics

**Table 35 Supply voltage signal conditioning (cont'd)**

$V_S = 5.5 \text{ V to } 28 \text{ V}$ ,  $T_j = -40^\circ\text{C to } +175^\circ\text{C}$ , all voltages with respect to ground, positive current flowing into pin (unless otherwise specified).

Parameter	Symbol	Values			Unit	Note or Test Condition	Number
		Min.	Typ.	Max.			
<b>Core supply voltage measurement <math>V_{\text{DDC}}</math></b>							
Input-to-output voltage attenuation: $V_{\text{DDC}}$	$ATT_{\text{VDDC}}$	–	0.75	–		–	P_8.1.34
Nominal operating input voltage range $V_{\text{DDC}}$	$V_{\text{DDC,range}}$	0.8	–	1.64	V	<sup>1)</sup>	P_8.1.53
Accuracy of $V_{\text{DDC}}$ sense after calibration	$\Delta V_{\text{DDC\_SENSE}}$	-22	–	22	mV	$V_S = 5.5 \text{ V to } 18 \text{ V}$	P_8.1.6
<b>VDH input voltage measurement <math>V_{\text{VDH10BITADC}}</math></b>							
VDH input-to-output voltage attenuation	$ATT_{\text{VDH}_1}$	–	0.166	–		SFR setting 1	P_8.1.64
VDH input-to-output voltage attenuation	$ATT_{\text{VDH}_2}$	–	0.224	–		SFR setting 2	P_8.1.65
VDH input-to-output voltage attenuation	$ATT_{\text{VDH}_3}$	–	0.226	–		<sup>1)</sup> SFR setting 2 $-40^\circ\text{C} \leq T_j \leq 85^\circ\text{C}$	P_8.1.81
Nominal operating input voltage range $V_{\text{VDH}}$ , attenuation range 1	$V_{\text{VDH,range1}}$	–	–	30	V	SFR setting 1	P_8.1.66
Nominal operating input voltage range $V_{\text{VDH}}$ , attenuation range 2	$V_{\text{VDH,range2}}$	–	–	20	V	SFR setting 2	P_8.1.67
$V_{\text{VDH}}$ 10-bit ADC, range 1	$\Delta V_{\text{VDHADC10B}}$	-300	–	300	mV	$V_{\text{VDH}} = 5.5 \text{ V to } 17.5 \text{ V}$ , $-40^\circ\text{C} \leq T_j \leq 150^\circ\text{C}$	P_8.1.39
Accuracy of $V_{\text{VDH}}$ 10-bit ADC, $ATT_{\text{VDH}_1}$ , extended temperature range	$\Delta V_{\text{VDHADC10B}}$	-800	–	800	mV	$V_{\text{VDH}} = 5.5 \text{ V to } 17.5 \text{ V}$ , $-40^\circ\text{C} \leq T_j \leq 175^\circ\text{C}$	P_8.1.77
Accuracy of $V_{\text{VDH}}$ 10-bit ADC, $ATT_{\text{VDH}_3}$	$\Delta V_{\text{VDHADC10B}}$	-200	–	200	mV	<sup>1)</sup> $V_{\text{VDH}} = 5.5 \text{ V to } 17.5 \text{ V}$ , $-40^\circ\text{C} \leq T_j \leq 85^\circ\text{C}$ $ATT_{\text{VDH}_3}$	P_8.1.80
Accuracy of $V_{\text{VDH}}$ 10-bit ADC, $ATT_{\text{VDH}_2}$	$\Delta V_{\text{VDHADC10B}}$	-400	–	400	mV	$V_{\text{VDH}} = 5.5 \text{ V to } 17.5 \text{ V}$ , $-40^\circ\text{C} \leq T_j \leq 150^\circ\text{C}$	P_8.1.71
Accuracy of $V_{\text{VDH}}$ 10-bit ADC, $ATT_{\text{VDH}_2}$ , extended temperature range	$\Delta V_{\text{VDHADC10B}}$	-1.5	–	1.5	V	$V_{\text{VDH}} = 5.5 \text{ V to } 17.5 \text{ V}$ , $-40^\circ\text{C} \leq T_j \leq 175^\circ\text{C}$	P_8.1.78
10-bit ADC measurement, input resistance for VDH	$R_{\text{in\_VDH,measure}}$	200	390	470	k $\Omega$	PD_N = 1 (on-state)	P_8.1.3

## Electrical characteristics

**Table 35 Supply voltage signal conditioning** (cont'd)

$V_S = 5.5\text{ V to }28\text{ V}$ ,  $T_j = -40^\circ\text{C to }+175^\circ\text{C}$ , all voltages with respect to ground, positive current flowing into pin (unless otherwise specified).

Parameter	Symbol	Values			Unit	Note or Test Condition	Number
		Min.	Typ.	Max.			
Measurement input leakage current for $V_{VDH}$	$I_{\text{leak\_VDH, measure}}$	-0.05	–	2.0	$\mu\text{A}$	PD_N = 0 (off-state), $-40^\circ\text{C} \leq T_j \leq 150^\circ\text{C}$	P_8.1.10
Measurement input leakage current for $V_{VDH}$ , extended temperature range	$I_{\text{leak\_VDH, measure\_HT}}$	-0.05	–	4.0	$\mu\text{A}$	PD_N = 0 (off-state), $150^\circ\text{C} \leq T_j \leq 175^\circ\text{C}$	P_8.1.79

- 1) Not subject to production test, specified by design.
- 2) Accuracy is valid for a calibrated device.

## Electrical characteristics

### 29.8.2 Central temperature sensor parameters

**Table 36** Electrical characteristics of the temperature sensor module

$V_S = 5.5\text{ V to }28\text{ V}$ ,  $T_j = -40^\circ\text{C to }+175^\circ\text{C}$ ; all voltages with respect to ground, positive current flowing into pin (unless otherwise specified).

Parameter	Symbol	Values			Unit	Note or Test Condition	Number
		Min.	Typ.	Max.			
Output voltage $V_{TEMP}$ at $T_0 = 273\text{ K } (0^\circ\text{C})$	$a$	–	0.666	–	V	<sup>1)</sup> $T_0 = 273\text{ K } (0^\circ\text{C})$	P_8.2.2
Temperature sensitivity $b$	$b$	–	2.31	–	mV/K	<sup>1)</sup>	P_8.2.4
Accuracy_1	$Acc\_1$	-10	–	10	°C	<sup>1)2)</sup> $-40^\circ\text{C} \leq T_j \leq 85^\circ\text{C}$	P_8.2.5
Accuracy_2	$Acc\_2$	-10	–	10	°C	<sup>1)2)</sup> $125^\circ\text{C} < T_j \leq 175^\circ\text{C}$	P_8.2.6
Accuracy_3	$Acc\_3$	-5	–	5	°C	<sup>1)2)</sup> $85^\circ\text{C} < T_j \leq 125^\circ\text{C}$	P_8.2.7

1) Not subject to production test, specified by design.

2) Accuracy with reference to on-chip temperature calibration measurement, valid for Mode1.

## Electrical characteristics

### 29.8.3 ADC2 VBG

#### 29.8.3.1 ADC2 reference voltage VBG

**Table 37 DC specifications**

$V_S = 3.0\text{ V to }28\text{ V}$ ,  $T_j = -40^\circ\text{C to }+175^\circ\text{C}$ ; all voltages with respect to ground, positive current flowing into pin (unless otherwise specified).

Parameter	Symbol	Values			Unit	Note or Test Condition	Number
		Min.	Typ.	Max.			
Reference voltage	$V_{BG}$	1.199	1.211	1.223	V	1)	P_8.3.1

1) Not subject to production test, specified by design.

#### 29.8.3.2 ADC2 specifications

**Table 38 DC specifications**

$V_S = 5.5\text{ V to }28\text{ V}$ ,  $T_j = -40^\circ\text{C to }+175^\circ\text{C}$ ; all voltages with respect to ground, positive current flowing into pin (unless otherwise specified).

Parameter	Symbol	Values			Unit	Note or Test Condition	Number
		Min.	Typ.	Max.			
Resolution	$RES$	–	8	–	bit	Full	P_8.3.18
Guaranteed offset error	$EA_{OFF\_8Bit}$	-2.0	$\pm 0.3$	2.0	LSB	Not calibrated	P_8.3.19
Gain error	$EA_{Gain\_8Bit}$	-2.0	$\pm 0.5$	2.0	%FSR	Not calibrated	P_8.3.20
Differential non-linearity (DNL)	$EA_{DNL\_8Bit}$	-0.8	$\pm 0$	0.8	LSB	Full; $-40^\circ\text{C} \leq T_j \leq 150^\circ\text{C}$	P_8.3.21
Differential non-linearity (DNL), extended temperature range	$EA_{DNL\_8Bit\_HT}$	-1.2	$\pm 0$	1.2	LSB	Full; $150^\circ\text{C} < T_j \leq 175^\circ\text{C}$	P_8.3.28
Integral non-linearity (INL)	$EA_{INL\_8Bit}$	-1.2	$\pm 0$	1.2	LSB	Full; $-40^\circ\text{C} \leq T_j \leq 150^\circ\text{C}$	P_8.3.22
Integral non-linearity (INL), extended temperature range	$EA_{INL\_8Bit\_HT}$	-1.50	$\pm 0$	1.50	LSB	Full; $150^\circ\text{C} < T_j \leq 175^\circ\text{C}$	P_8.3.29

## Electrical characteristics

### 29.9 ADC1 reference voltage - VAREF

#### 29.9.1 Electrical characteristics of VAREF

**Table 39** Electrical characteristics of VAREF

$V_S = 5.5\text{ V to }28\text{ V}$ ,  $T_j = -40^\circ\text{C to }+175^\circ\text{C}$ , all voltages with respect to ground, positive current flowing into pin (unless otherwise specified).

Parameter	Symbol	Values			Unit	Note or Test Condition	Number
		Min.	Typ.	Max.			
Required buffer capacitance	$C_{VAREF}$	0.1	–	1	$\mu\text{F}$	$\text{ESR} < 1\ \Omega$	P_9.1.1
Reference output voltage	$V_{AREF}$	4.95	5	5.05	V	$V_S > 5.5\text{ V}$	P_9.1.2
DC supply voltage rejection	$DC_{PSRVAREF}$	30	–	–	dB	<sup>1)</sup>	P_9.1.3
Supply voltage ripple rejection	$AC_{PSRVAREF}$	26	–	–	dB	<sup>1)</sup> $V_S = 13.5\text{ V}$ ; $f = 0\text{ kHz} \dots 1\text{ kHz}$ ; $V_r = 2\text{ Vpp}$	P_9.1.4
Turn-on time	$t_{so}$	–	–	200	$\mu\text{s}$	<sup>1)</sup> $C_{ext} = 100\text{ nF}$ PD_N to 99.9% of final value	P_9.1.5
Input resistance at VAREF pin	$R_{IN,VAREF}$	–	100	–	$\text{k}\Omega$	<sup>1)</sup> Input impedance in case of VAREF is applied from external input	P_9.1.20

<sup>1)</sup> Not subject to production test, specified by design.

## Electrical characteristics

### 29.9.2 Electrical characteristics of the ADC1 (10-bit)

These parameters describe the conditions for optimum ADC performance.

Note: Operating conditions apply.

**Table 40 A/D converter characteristics**

$V_S = 5.5\text{ V to }28\text{ V}$ ,  $T_j = -40^\circ\text{C to }+175^\circ\text{C}$ ; all voltages with respect to ground, positive current flowing into pin (unless otherwise specified).

Parameter	Symbol	Values			Unit	Note or Test Condition	Number
		Min.	Typ.	Max.			
Analog reference supply	$V_{AREF}$	$V_{AGND} + 1.0$	–	$V_{DDPA} + 0.05$	V	1)	P_9.2.1
Analog reference ground	$V_{AGND}$	$V_{SS} - 0.05$	–	1.5	V	–	P_9.2.2
Analog input voltage range	$V_{AIN}$	$V_{AGND}$	–	$V_{AREF}$	V	2)	P_9.2.3
Analog clock frequency	$f_{ADCI}$	5	–	24	MHz	3)	P_9.2.4
Conversion time for 10-bit result	$t_{C10}$	$(13 + \text{STC}) \times t_{ADCI} + 2 \times t_{SYS}$	$(13 + \text{STC}) \times t_{ADCI} + 2 \times t_{SYS}$	$(13 + \text{STC}) \times t_{ADCI} + 2 \times t_{SYS}$	–	1)4)	P_9.2.5
Conversion time for 8-bit result	$t_{C8}$	$(11 + \text{STC}) \times t_{ADCI} + 2 \times t_{SYS}$	$(11 + \text{STC}) \times t_{ADCI} + 2 \times t_{SYS}$	$(11 + \text{STC}) \times t_{ADCI} + 2 \times t_{SYS}$	–	1)	P_9.2.6
Wake-up time from analog power-down, Fast mode	$t_{WAF}$	–	–	4	$\mu\text{s}$	1)	P_9.2.7
Wake-up time from analog power-down, Slow mode	$t_{WAS}$	–	–	15	$\mu\text{s}$	1)5)	P_9.2.8
Total unadjusted error (8 bit)	$TUE_{8B}$	-2	$\pm 1$	2	counts	6)7) Reference is internal $V_{AREF}$	P_9.2.9
Total unadjusted error (10 bit)	$TUE_{10B}$	-12	$\pm 6$	12	counts	8)9) Reference is internal $V_{AREF}$	P_9.2.22
DNL error	$EA_{DNL}$	-3	$\pm 0.8$	3	counts	–	P_9.2.10
INL error	$EA_{INL\_int\_V_{AREF}}$	-5	$\pm 0.8$	5	counts	Reference is internal $V_{AREF}$	P_9.2.11
Gain error	$EA_{GAIN\_int\_V_{AREF}}$	-10	$\pm 0.4$	10	counts	Reference is internal $V_{AREF}$	P_9.2.12
Offset error	$EA_{OFF}$	-2	$\pm 0.5$	2	counts	–	P_9.2.13
Total capacitance of an analog input	$C_{AINT}$	–	–	10	pF	1)5)10)	P_9.2.14
Switched capacitance of an analog input	$C_{AINS}$	–	–	4	pF	1)5)10)	P_9.2.15

## Electrical characteristics

**Table 40 A/D converter characteristics (cont'd)**

$V_S = 5.5\text{ V to }28\text{ V}$ ,  $T_j = -40^\circ\text{C to }+175^\circ\text{C}$ ; all voltages with respect to ground, positive current flowing into pin (unless otherwise specified).

Parameter	Symbol	Values			Unit	Note or Test Condition	Number
		Min.	Typ.	Max.			
Resistance of the analog input path	$R_{AIN}$	–	–	2	k $\Omega$	1)5)10)	P_9.2.16
Total capacitance of the reference input	$C_{AREFT}$	–	–	15	pF	1)5)10)	P_9.2.17
Switched capacitance of the reference input	$C_{AREFS}$	–	–	7	pF	1)5)10)	P_9.2.18
Resistance of the reference input path	$R_{AREF}$	–	–	2	k $\Omega$	1)5)10)	P_9.2.19

- 1) Not subject to production test, specified by design.
- 2)  $V_{AIN}$  may exceed  $V_{AGND}$  or  $V_{AREFX}$  up to the absolute maximum ratings. However, the conversion results in these cases will be 0000<sub>H</sub> or 03FF<sub>H</sub>, respectively.
- 3) The limit values for  $f_{ADCI}$  must not be exceeded when selecting the peripheral frequency and the prescaler setting.
- 4) This parameter includes the sample time (and the additional sample time specified by STC), the time to determine the digital results and the time to load the result register with the conversion result.
- 5) The broken wire detection delay against  $V_{AGND}$  is measured in numbers of consecutive precharge cycles at a conversion rate of not more than 500  $\mu\text{s}$ .
- 6) The total unadjusted error TUE is the maximum deviation from the ideal ADC transfer curve, not the sum of individual errors.  
All error specifications are based on measurement methods standardized by IEEE 1241.2000.
- 7) The specified TUE is valid only if the absolute sum of input overload currents (see  $I_{OV}$  specification) does not exceed 10 mA, and if  $V_{AREF}$  and  $V_{AGND}$  remain stable during the measurement time.
- 8) The specified TUE is valid only if the absolute sum of input overload currents (see  $I_{OV}$  specification) does not exceed 10 mA, and if  $V_{AREF}$  and  $V_{AGND}$  remain stable during the measurement time.
- 9) The total unadjusted error TUE is the maximum deviation from the ideal ADC transfer curve, not the sum of individual errors.  
All error specifications are based on measurement methods standardized by IEEE 1241.2000.
- 10) These parameter values cover the complete operating range. Under relaxed operating conditions (temperature, supply voltage), typical values can be used for the calculation. At room temperature and nominal supply voltage, the following typical values can be used:  
 $C_{AINTyp} = 12\text{ pF}$ ,  $C_{AINStyp} = 5\text{ pF}$ ,  $R_{AINTyp} = 1.0\text{ k}\Omega$ ,  $C_{AREFTyp} = 15\text{ pF}$ ,  $C_{AREFSTyp} = 10\text{ pF}$ ,  $R_{AREFTyp} = 1.0\text{ k}\Omega$ .

## 29.10 Reserved



## Electrical characteristics

### 29.11 High-voltage monitoring input

#### 29.11.1 Electrical characteristics

**Table 41** Electrical characteristics of the monitoring input

$T_j = -40^\circ\text{C}$  to  $+175^\circ\text{C}$ ;  $V_S = 5.5\text{ V}$  to  $28\text{ V}$ , all voltages with respect to ground, positive current flowing into pin (unless otherwise specified).

Parameter	Symbol	Values			Unit	Note or Test Condition	Number
		Min.	Typ.	Max.			
<b>MON input pin characteristics</b>							
Wake-up/monitoring threshold voltage	$V_{\text{MONth}}$	$0.4 \times V_S$	$0.5 \times V_S$	$0.675 \times V_S$	V	Without external serial resistor $R_S$ (with $R_S: dV = I_{\text{PD/PU}} \times R_S$ )	P_11.1.1
Threshold hysteresis	$V_{\text{MONth,hys}}$	$0.015 \times V_S$	$0.05 \times V_S$	$0.1 \times V_S$	V	In all modes; without external serial resistor $R_S$ (with $R_S: dV = I_{\text{PD/PU}} \times R_S$ ); $V_S = 5.5\text{ V}$ to $18\text{ V}$	P_11.1.12
Threshold hysteresis	$V_{\text{MONth,hys}}$	$0.02 \times V_S$	$0.06 \times V_S$	$0.12 \times V_S$	V	In all modes; without external serial resistor $R_S$ (with $R_S: dV = I_{\text{PD/PU}} \times R_S$ ); $V_S = 18\text{ V}$ to $28\text{ V}$	P_11.1.2
Pull-up current	$I_{\text{PU,MON}}$	-20	-10	-1	$\mu\text{A}$	$0.6 \times V_S$	P_11.1.3
Pull-down current	$I_{\text{PD,MON}}$	3	10	20	$\mu\text{A}$	$0.4 \times V_S$	P_11.1.4
Input leakage current	$I_{\text{LK,MON}}$	-2.5	-	2.5	$\mu\text{A}$	<sup>1)</sup> $0\text{ V} < V_{\text{MON\_IN}} < 28\text{ V}$	P_11.1.5
<b>Timing</b>							
Wake-up filter time (internal analog filter delay)	$t_{\text{FT,MON}}$	-	500	-	ns	<sup>2)</sup> The overall filter time for MON wake-up is the sum of $t_{\text{FT,MON}}$ and the adjustable digital filter time. The digital filter time can be adjusted by setting the PMU.CNF_WAKE_FILTER.CNF_MON_FT register	P_11.1.6

1) Input leakage is valid for the disabled state.

2) With pull-up, pull-down current disabled.

## Electrical characteristics

### 29.12 MOSFET driver

#### 29.12.1 Electrical characteristics

**Table 42 Electrical characteristics of the MOSFET driver**

$V_S = 5.5\text{ V to }28\text{ V}$ ,  $T_j = -40^\circ\text{C to }+175^\circ\text{C}$ , all voltages with respect to ground, positive current flowing into pin (unless otherwise specified).

Parameter	Symbol	Values			Unit	Note or Test Condition	Number
		Min.	Typ.	Max.			
<b>MOSFET driver output</b>							
Maximum total charge driver capability	$Q_{\text{tot\_max}}$	–	–	100	nC	<sup>1)</sup> Due to charge pump current capability, six MOSFETs and additional external capacitors with a total charge of maximal 100 nC can be driven simultaneously at a PWM frequency of 25 kHz	P_12.1.20
Maximum total charge driver capability (three-phase PWM)	$Q_{\text{tot\_max,20kHz}}$	–	–	150	nC	<sup>1)</sup> Due to charge pump current capability, six MOSFETs and additional external capacitors with a total charge of maximal 150 nC can be driven simultaneously at a PWM frequency of 20 kHz. $V_{\text{SD,min}} \geq 6.5\text{ V}$ for $V_{\text{GS,min}} \geq 7\text{ V}$	P_12.1.120
Source current - charge current (low gate voltage) high-side driver	$I_{\text{Soumax\_HS}}$	230	345	450	mA	$V_{\text{SD}} \geq 8\text{ V}$ , $C_{\text{Load}} = 10\text{ nF}$ , $I_{\text{Sou}} = C_{\text{Load}} \times \text{slew rate}$ (= 20% to 50% of $V_{\text{GHx1}}$ ), $I_{\text{CHARGE}} = I_{\text{DISCHG}} = 31(\text{max})$	P_12.1.78
Sink current - discharge current - high-side driver	$I_{\text{Sinkmax\_HS}}$	230	330	450	mA	$V_{\text{SD}} \geq 8\text{ V}$ , $C_{\text{Load}} = 10\text{ nF}$ , $I_{\text{Sink}} = C_{\text{Load}} \times \text{slew rate}$ (from 80% to 50% of $V_{\text{GHx1}}$ ), $I_{\text{CHARGE}} = I_{\text{DISCHG}} = 31(\text{max})$	P_12.1.79
Source current - charge current (low gate voltage) low-side driver	$I_{\text{Soumax\_LS}}$	200	295	375	mA	$V_{\text{SD}} \geq 8\text{ V}$ , $C_{\text{Load}} = 10\text{ nF}$ , $I_{\text{Sou}} = C_{\text{Load}} \times \text{slew rate}$ (= 20% to 50% of $V_{\text{GLx1}}$ ), $I_{\text{CHARGE}} = I_{\text{DISCHG}} = 31(\text{max})$	P_12.1.80
Sink current - discharge current - low-side driver	$I_{\text{Sinkmax\_LS}}$	200	314	375	mA	$V_{\text{SD}} \geq 8\text{ V}$ , $C_{\text{Load}} = 10\text{ nF}$ , $I_{\text{Sink}} = C_{\text{Load}} \times \text{slew rate}$ (from 80% to 50% of $V_{\text{GLx1}}$ ), $I_{\text{CHARGE}} = I_{\text{DISCHG}} = 31(\text{max})$	P_12.1.81

## Electrical characteristics

**Table 42 Electrical characteristics of the MOSFET driver (cont'd)**

$V_S = 5.5\text{ V to }28\text{ V}$ ,  $T_j = -40^\circ\text{C to }+175^\circ\text{C}$ , all voltages with respect to ground, positive current flowing into pin (unless otherwise specified).

Parameter	Symbol	Values			Unit	Note or Test Condition	Number
		Min.	Typ.	Max.			
High-level output voltage Gxx vs. Sxx	$V_{Gxx1}$	10	–	14	V	$V_{SD} \geq 8\text{ V}$ , $C_{Load} = 10\text{ nF}$ , $I_{CP} = 2.5\text{ mA}^2$	P_12.1.3
High-level output voltage GHx vs. SHx	$V_{Gxx2}$	8	–	14	V	$V_{SD} = 6.4\text{ V}^1$ , $C_{Load} = 10\text{ nF}$ , $I_{CP} = 2.5\text{ mA}^2$	P_12.1.4
High-level output voltage GHx vs. SHx	$V_{Gxx3}$	7	–	14	V	$V_{SD} = 5.4\text{ V}$ , $C_{Load} = 10\text{ nF}$ , $I_{CP} = 2.5\text{ mA}^2$	P_12.1.5
High-level output voltage GLx vs. GND	$V_{Gxx6}$	8	–	14	V	$V_{SD} = 6.4\text{ V}^1$ , $C_{Load} = 10\text{ nF}$ , $I_{CP} = 2.5\text{ mA}^2$	P_12.1.6
High-level output voltage GLx vs. GND	$V_{Gxx7}$	7	–	14	V	$V_{SD} = 5.4\text{ V}$ , $C_{Load} = 10\text{ nF}$ , $I_{CP} = 2.5\text{ mA}^2$	P_12.1.7
Rise time	$t_{rise3\_3nf}$	–	200	–	ns	<sup>1)</sup> $C_{Load} = 3.3\text{ nF}$ , $V_{SD} \geq 8\text{ V}$ , 25% to 75% of $V_{Gxx1}$ , $I_{CHARGE}$ $= I_{DISCHG} = 31(\text{max})$	P_12.1.8
Fall time	$t_{fall3\_3nf}$	–	200	–	ns	<sup>1)</sup> $C_{Load} = 3.3\text{ nF}$ , $V_{SD} \geq 8\text{ V}$ , 75% to 25% of $V_{Gxx1}$ , $I_{CHARGE}$ $= I_{DISCHG} = 31(\text{max})$	P_12.1.9
Rise time	$t_{risemax}$	100	250	450	ns	$C_{Load} = 10\text{ nF}$ , $V_{SD} \geq 8\text{ V}$ , 25% to 75% of $V_{Gxx1}$ , $I_{CHARGE}$ $= I_{DISCHG} = 31(\text{max})$	P_12.1.57
Fall time	$t_{fallmax}$	100	250	450	ns	$C_{Load} = 10\text{ nF}$ , $V_{SD} \geq 8\text{ V}$ , 75% to 25% of $V_{Gxx1}$ , $I_{CHARGE}$ $= I_{DISCHG} = 31(\text{max})$	P_12.1.58
Rise time	$t_{risemin}$	1.25	2.5	5	$\mu\text{s}$	<sup>1)</sup> $C_{Load} = 10\text{ nF}$ , $V_{SD} \geq 8\text{ V}$ , 25% to 75% of $V_{Gxx1}$ , $I_{CHARGE} = I_{DISCHG} = 3(\text{min})$	P_12.1.14
Fall time	$t_{fallmin}$	1.25	2.5	5	$\mu\text{s}$	<sup>1)</sup> $C_{Load} = 10\text{ nF}$ , $V_{SD} \geq 8\text{ V}$ , 75% to 25% of $V_{Gxx1}$ , $I_{CHARGE} = I_{DISCHG} = 3(\text{min})$	P_12.1.15

## Electrical characteristics

**Table 42 Electrical characteristics of the MOSFET driver (cont'd)**

$V_S = 5.5\text{ V to }28\text{ V}$ ,  $T_j = -40^\circ\text{C to }+175^\circ\text{C}$ , all voltages with respect to ground, positive current flowing into pin (unless otherwise specified).

Parameter	Symbol	Values			Unit	Note or Test Condition	Number
		Min.	Typ.	Max.			
Absolute difference between rise and fall for all LSx	$t_{r\_f(\text{diff})\text{LSx}}$	–	–	100	ns	$C_{\text{Load}} = 10\text{ nF}$ , $V_{\text{SD}} \geq 8\text{ V}$ , 25% to 75% of $V_{\text{Gxx1}}$ , $I_{\text{CHARGE}} = I_{\text{DISCHG}} = 31(\text{max})$	P_12.1.35
Absolute difference between rise and fall for all HSx	$t_{r\_f(\text{diff})\text{HSx}}$	–	–	100	ns	$C_{\text{Load}} = 10\text{ nF}$ , $V_{\text{SD}} \geq 8\text{ V}$ , 25% to 75% of $V_{\text{Gxx1}}$ , $I_{\text{CHARGE}} = I_{\text{DISCHG}} = 31(\text{max})$	P_12.1.36
Resistor between GHx/GLx and GND	$R_{\text{GGND}}$	30	40	50	k $\Omega$	1)	P_12.1.11
Resistor between SHx and GND	$R_{\text{SHGN}}$	30	40	50	k $\Omega$	1)3) This resistance is the resistance between GHx and GND connected through a diode to SHx. As a consequence, the voltage at SHx can rise up to 0.6 V typ. before it is discharged through the resistor	P_12.1.10
Low-RDSON mode (boosted discharge mode)	$R_{\text{ONCCP}}$	–	9	12	$\Omega$	$V_{\text{VSD}} = 13.5\text{ V}$ , $V_{\text{VCP}} = V_{\text{VSD}} + 14.0\text{ V}$ ; $I_{\text{CHARGE}} = I_{\text{DISCHG}} = 31(\text{max})$ ; 50 mA forced into Gx, Sx grounded $-40^\circ\text{C} \leq T_j \leq 150^\circ\text{C}$	P_12.1.50
Low-RDSON mode (boosted discharge mode), extended temperature range	$R_{\text{ONCCP\_HT}}$	–	9	14.5	$\Omega$	$V_{\text{VSD}} = 13.5\text{ V}$ , $V_{\text{VCP}} = V_{\text{VSD}} + 14.0\text{ V}$ ; $I_{\text{CHARGE}} = I_{\text{DISCHG}} = 31(\text{max})$ ; 50 mA forced into Gx, Sx grounded $150^\circ\text{C} < T_j \leq 175^\circ\text{C}$	P_12.1.84
Resistance between VDH and VSD	$I_{\text{BSH}}$	–	4	–	k $\Omega$	1)	P_12.1.24
Input propagation time (LS on)	$t_{\text{P(ILN)min}}$	–	1.5	3	$\mu\text{s}$	1) $C_{\text{Load}} = 10\text{ nF}$ , $I_{\text{Charge}} = 3(\text{min})$ , 25% of $V_{\text{Gxx1}}$	P_12.1.37
Input propagation time (LS off)	$t_{\text{P(ILF)min}}$	–	1.5	3	$\mu\text{s}$	1) $C_{\text{Load}} = 10\text{ nF}$ , $I_{\text{Discharge}} = 3(\text{min})$ , 75% of $V_{\text{Gxx1}}$	P_12.1.38

## Electrical characteristics

**Table 42 Electrical characteristics of the MOSFET driver (cont'd)**

$V_S = 5.5\text{ V to }28\text{ V}$ ,  $T_j = -40^\circ\text{C to }+175^\circ\text{C}$ , all voltages with respect to ground, positive current flowing into pin (unless otherwise specified).

Parameter	Symbol	Values			Unit	Note or Test Condition	Number
		Min.	Typ.	Max.			
Input propagation time (HS on)	$t_{P(IHN)min}$	–	1.5	3	$\mu\text{s}$	<sup>1)</sup> $C_{Load} = 10\text{ nF}$ , $I_{Charge} = 3(\text{min})$ , 25% of $V_{Gxx1}$	P_12.1.39
Input propagation time (HS off)	$t_{P(IHF)min}$	–	1.5	3	$\mu\text{s}$	<sup>1)</sup> $C_{Load} = 10\text{ nF}$ , $I_{Discharge} = 3(\text{min})$ , 75% of $V_{Gxx1}$	P_12.1.40
Input propagation time (LS on)	$t_{P(ILN)max}$	–	200	350	ns	$C_{Load} = 10\text{ nF}$ , $I_{Charge} = 31(\text{max})$ , 25% of $V_{Gxx1}$	P_12.1.26
Input propagation time (LS off)	$t_{P(ILF)max}$	–	200	300	ns	$C_{Load} = 10\text{ nF}$ , $I_{Discharge} = 31(\text{max})$ , 75% of $V_{Gxx1}$	P_12.1.27
Input propagation time (HS on)	$t_{P(IHN)max}$	–	200	350	ns	$C_{Load} = 10\text{ nF}$ , $I_{Charge} = 31(\text{max})$ , 25% of $V_{Gxx1}$	P_12.1.28
Input propagation time (HS off)	$t_{P(IHF)max}$	–	200	300	ns	$C_{Load} = 10\text{ nF}$ , $I_{Discharge} = 31(\text{max})$ , 75% of $V_{Gxx1}$	P_12.1.29
Absolute input propagation time difference between propagation times for all LSx (LSx on)	$t_{Pon(diff)LSx}$	–	–	100	ns	$C_{Load} = 10\text{ nF}$ , $I_{Charge} = 31(\text{max})$ , 25% of $V_{Gxx1}$	P_12.1.30
Absolute input propagation time difference between propagation times for all LSx (LSx off)	$t_{Poff(diff)LSx}$	–	–	100	ns	$C_{Load} = 10\text{ nF}$ , $I_{Discharge} = 31(\text{max})$ , 75% of $V_{Gxx1}$	P_12.1.41
Absolute input propagation time difference between propagation times for all HSx (HSx on)	$t_{Pon(diff)HSx}$	–	–	100	ns	$C_{Load} = 10\text{ nF}$ , $I_{Charge} = 31(\text{max})$ , 25% of $V_{Gxx1}$	P_12.1.42
Absolute input propagation time difference between propagation times for all HSx (HSx off)	$t_{Poff(diff)HSx}$	–	–	100	ns	$C_{Load} = 10\text{ nF}$ , $I_{Discharge} = 31(\text{max})$ , 75% of $V_{Gxx1}$	P_12.1.43

## Electrical characteristics

**Table 42 Electrical characteristics of the MOSFET driver (cont'd)**

$V_S = 5.5 \text{ V to } 28 \text{ V}$ ,  $T_j = -40^\circ\text{C to } +175^\circ\text{C}$ , all voltages with respect to ground, positive current flowing into pin (unless otherwise specified).

Parameter	Symbol	Values			Unit	Note or Test Condition	Number
		Min.	Typ.	Max.			
<b>Drain source monitoring</b>							
Drain source monitoring threshold	$V_{\text{DSMONVTH}}$	-	-	-	V	DRV_CTRL3.DSMONVTH<2:0> xxx 000 001 010 011 100 101 110 111	P_12.1.46
		0.07	0.25	0.40			
		0.35	0.50	0.650			
		0.55	0.75	0.90			
		0.65	1.00	1.25			
		0.90	1.25	1.45			
		1.00	1.5	1.80			
		1.20	1.75	2.10			
		1.40	2.00	2.40			
<b>Open load diagnostic currents</b>							
Pull-up diagnostic current	$I_{\text{PUDiag}}$	-220	-370	-520	$\mu\text{A}$	$I_{\text{DISCHG}} = 1; V_{\text{SHx}} = 5.0 \text{ V}$	P_12.1.47
Pull-down diagnostic current	$I_{\text{PDDiag}}$	650	900	1100	$\mu\text{A}$	$I_{\text{DISCHG}} = 1; V_{\text{SHx}} = 5.0 \text{ V}$	P_12.1.48
<b>Charge pump</b>							
Output voltage VCP vs. VSD	$V_{\text{CPmin1}}$	8.5	-	-	V	$V_{\text{VSD}} = 5.4 \text{ V}$ , $I_{\text{CP}} = 5 \text{ mA}$ , $C_{\text{CP1}}, C_{\text{CP2}} = 220 \text{ nF}$ , bridge driver enabled $-40^\circ\text{C} \leq T_j \leq 150^\circ\text{C}$	P_12.1.53
Output voltage VCP vs. VSD, extended temperature range	$V_{\text{CPmin1\_HT}}$	8.4	-	-	V	$V_{\text{VSD}} = 5.4 \text{ V}$ , $I_{\text{CP}} = 5 \text{ mA}$ , $C_{\text{CP1}}, C_{\text{CP2}} = 220 \text{ nF}$ , bridge driver enabled $150^\circ\text{C} < T_j \leq 175^\circ\text{C}$	P_12.1.85
Regulated output voltage VCP vs. VSD	$V_{\text{CP}}$	12	14	16	V	$8 \text{ V} \leq V_{\text{VSD}} \leq 28 \text{ V}$ , $I_{\text{CP}} = 10 \text{ mA}$ , $C_{\text{CP1}}, C_{\text{CP2}} = 220 \text{ nF}$ , $f_{\text{CP}} = 250 \text{ kHz}$	P_12.1.49
Turn-on time	$t_{\text{ON\_VCP}}$	10	24	40	$\mu\text{s}$	$8 \text{ V} \leq V_{\text{VSD}} \leq 28 \text{ V}$ , (25%) of $V_{\text{CP}}^{1)4)}$ , $C_{\text{CP1}}, C_{\text{CP2}} = 220 \text{ nF}$ , $f_{\text{CP}} = 250 \text{ kHz}$	P_12.1.59
Rise time	$t_{\text{rise\_VCP}}$	20	60	88	$\mu\text{s}$	$8 \text{ V} \leq V_{\text{VSD}} \leq 28 \text{ V}$ , (25% to 75%) of $V_{\text{CP}}^{1)5)}$ , $C_{\text{CP1}}, C_{\text{CP2}} = 220 \text{ nF}$ , $f_{\text{CP}} = 250 \text{ kHz}$	P_12.1.60

1) Not subject to production test, specified by design.

2) The condition  $I_{\text{CP}} = 2.5 \text{ mA}$  emulates a BLDC driver with 6 MOSFETs switching at 20 kHz with a  $C_{\text{Load}} = 3.3 \text{ nF}$ . Test condition:  $I_{\text{Gx}} = -100 \mu\text{A}$ , ICHARGE = IDISCHARGE = 31 (max), IDISCHARGEDIV2\_N = 1 and ICHARGEDIV2\_N = 1.

---

## Electrical characteristics

- 3) This resistance is connected through a diode between SHx and GHx to ground.
- 4) This time applies when the DRV\_CP\_CTRL\_STS.bit.CP\_EN bit is set.
- 5) This time applies when the DRV\_CP\_CLK\_CTRL.bit.CPCLK\_EN bit is set.

## Electrical characteristics

### 29.13 Operational amplifier

#### 29.13.1 Electrical characteristics

**Table 43** Electrical characteristics of the operational amplifier

$V_S = 5.5\text{ V to }28\text{ V}$ ,  $T_j = -40^\circ\text{C to }+175^\circ\text{C}$ ; all voltages with respect to ground, positive current flowing into pin (unless otherwise specified).

Parameter	Symbol	Values			Unit	Note or Test Condition	Number
		Min.	Typ.	Max.			
Differential gain (uncalibrated)	$G$	9.5 19 38 57	10 20 40 60	10.5 21 42 63		Gain settings GAIN<1:0>: 00 01 10 11	P_13.1.6
Differential input operating voltage range OP2 - OP1	$V_{IX}$	-1.5 / $G$	–	1.5 / $G$	V	$G$ is the gain specified below	P_13.1.1
Operating: common mode input voltage range (referred to GND: OP2 - GND or OP1 - GND)	$V_{CM}$	-2.0	–	2.0	V	Input common mode has to be checked in evaluation if it fits the required range	P_13.1.2
Max. input voltage range (referred to GND: OP_2 - GND or OP1 - GND)	$V_{IX\_max}$	-7.0	–	7.0	V	Max. rating of operational amplifier inputs when no measurement is performed	P_13.1.3
Single-ended output voltage range (linear range)	$V_{OUT}$	$V_{ZERO}$ - 1.5	–	$V_{ZERO}$ + 1.5	V	<sup>1)2)</sup> Offset output voltage 2 V $\pm$ 1.5 V	P_13.1.4
Linearity error	$E_{PWM}$	-15	–	15	mV	Maximum deviation from best-fit straight line divided by the maximum value of the differential output voltage range (0.5 V - 3.5 V); this parameter is determined with $G = 10$	P_13.1.5
Linearity error	$E_{PWM\%}$	-1.0	–	1.0	%	Maximum deviation from best fit straight line divided by the maximum value of the differential output voltage range (0.5 V - 3.5 V); this parameter is determined with $G = 10$	P_13.1.24



## Electrical characteristics

**Table 43 Electrical characteristics of the operational amplifier (cont'd)**

$V_S = 5.5 \text{ V to } 28 \text{ V}$ ,  $T_j = -40^\circ\text{C to } +175^\circ\text{C}$ ; all voltages with respect to ground, positive current flowing into pin (unless otherwise specified).

Parameter	Symbol	Values			Unit	Note or Test Condition	Number
		Min.	Typ.	Max.			
Gain drift		-1	-	1	%	Gain drift after calibration with $G = 10$	P_13.1.7
Adjusted output offset voltage	$V_{OOS}$	-40	10	40	mV	$V_{AIP} = V_{AIN} = 0 \text{ V}$ and $G = 40$ , $-40^\circ\text{C} < T_j \leq 150^\circ\text{C}$	P_13.1.17
Adjusted output offset voltage, extended temperature range	$V_{OOS\_HT}$	-50	10	50	mV	$V_{AIP} = V_{AIN} = 0 \text{ V}$ and $G = 40$ , $150^\circ\text{C} < T_j \leq 175^\circ\text{C}$	P_13.1.28
DC input voltage common mode rejection ratio	DC-CMRR	58	80	-	dB	CMRR (in dB) = $-20 \cdot \log$ (differential mode gain / common mode gain) $V_{CMI} = -2 \text{ V} \dots 2 \text{ V}$ , $V_{AIP} - V_{AIN} = 0 \text{ V}$ , $-40^\circ\text{C} \leq T_j \leq 150^\circ\text{C}$	P_13.1.8
DC input voltage common mode rejection ratio, extended temperature range	DC-CMRR <sub>HT</sub>	57	80	-	dB	CMRR (in dB) = $-20 \cdot \log$ (differential mode gain / common mode gain) $V_{CMI} = -2 \text{ V} \dots 2 \text{ V}$ , $V_{AIP} - V_{AIN} = 0 \text{ V}$ , $150^\circ\text{C} \leq T_j \leq 175^\circ\text{C}$	P_13.1.27
Settling time to 98%	$T_{SET}$	-	800	1400	ns	<sup>2)</sup> Derived from 80% - 20% rise fall times for $\pm 2 \text{ V}$ overload condition (3 Tau value of settling time constant)	P_13.1.9
Current sense amplifier input resistance at OP1, OP2	$R_{in\_OP1\_OP2}$	1	1.25	1.5	k $\Omega$	<sup>2)</sup>	P_13.1.25

1) Typical  $V_{ZERO} = 0,4 \times V_{AREF}$ .

2) Not subject to production test, specified by design.

Package information

30 Package information

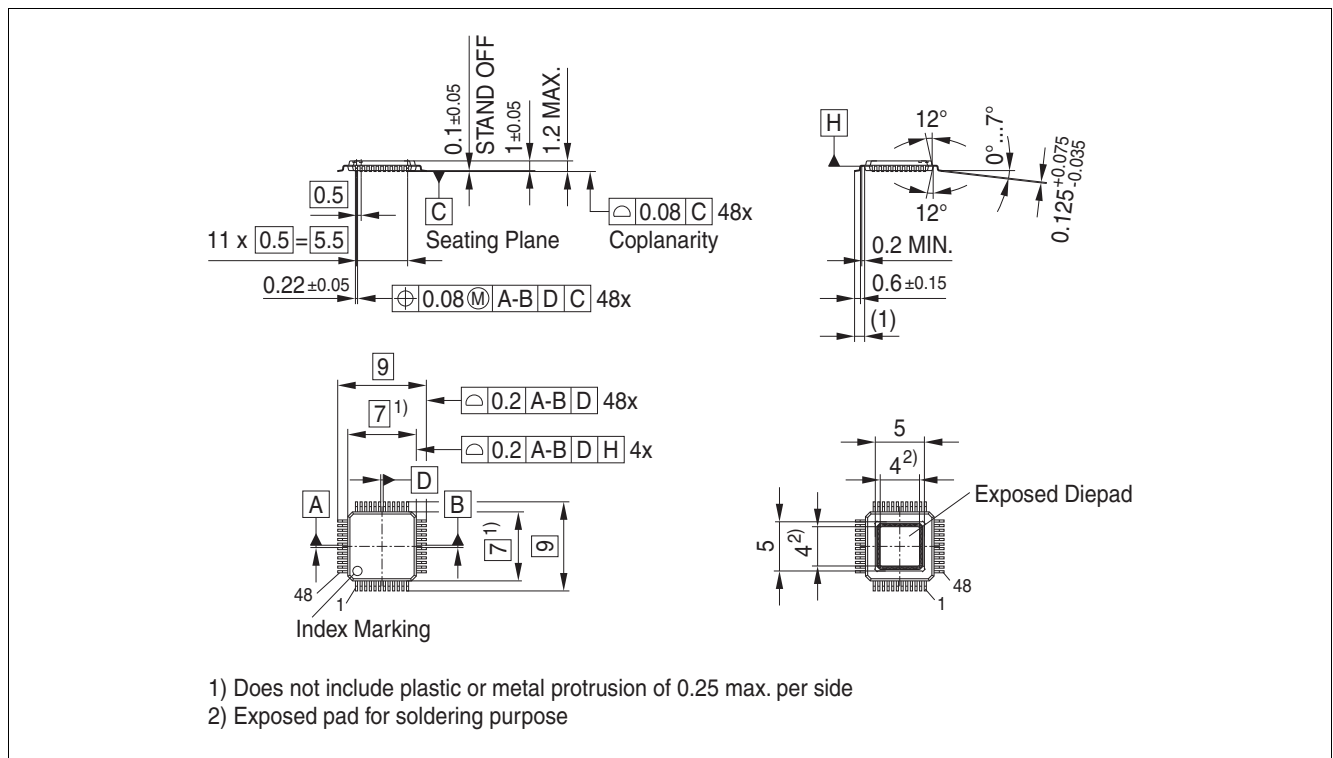


Figure 37 Package outline TQFP-48-10<sup>1)</sup>

Green product (RoHS-compliant)

To meet the world-wide customer requirements for environmentally friendly products and to be compliant with government regulations, the device is available as a green product. Green products are RoHS-compliant (i.e., Pb-free finish on leads and suitable for Pb-free soldering according to IPC/JEDEC J-STD-020).

Further information on packages

<https://www.infineon.com/packages>

1) Dimensions in mm

---

**Revision history****31 Revision history**

<b>Revision</b>	<b>Date</b>	<b>Changes</b>
Rev. 1.0	2020-07-23	Datasheet initial release.

## Trademarks

All referenced product or service names and trademarks are the property of their respective owners.

**Edition 2020-07-23**

**Published by**

**Infineon Technologies AG**

**81726 Munich, Germany**

**© 2020 Infineon Technologies AG.**

**All Rights Reserved.**

**Do you have a question about any aspect of this document?**

**Email: [erratum@infineon.com](mailto:erratum@infineon.com)**

**Document reference**

**Z8F66385807**

## IMPORTANT NOTICE

The information given in this document shall in no event be regarded as a guarantee of conditions or characteristics ("Beschaffheitsgarantie").

With respect to any examples, hints or any typical values stated herein and/or any information regarding the application of the product, Infineon Technologies hereby disclaims any and all warranties and liabilities of any kind, including without limitation warranties of non-infringement of intellectual property rights of any third party.

In addition, any information given in this document is subject to customer's compliance with its obligations stated in this document and any applicable legal requirements, norms and standards concerning customer's products and any use of the product of Infineon Technologies in customer's applications.

The data contained in this document is exclusively intended for technically trained staff. It is the responsibility of customer's technical departments to evaluate the suitability of the product for the intended application and the completeness of the product information given in this document with respect to such application.

For further information on technology, delivery terms and conditions and prices, please contact the nearest Infineon Technologies Office ([www.infineon.com](http://www.infineon.com)).

## WARNINGS

Due to technical requirements products may contain dangerous substances. For information on the types in question please contact your nearest Infineon Technologies office.

Except as otherwise explicitly approved by Infineon Technologies in a written document signed by authorized representatives of Infineon Technologies, Infineon Technologies' products may not be used in any applications where a failure of the product or any consequences of the use thereof can reasonably be expected to result in personal injury.