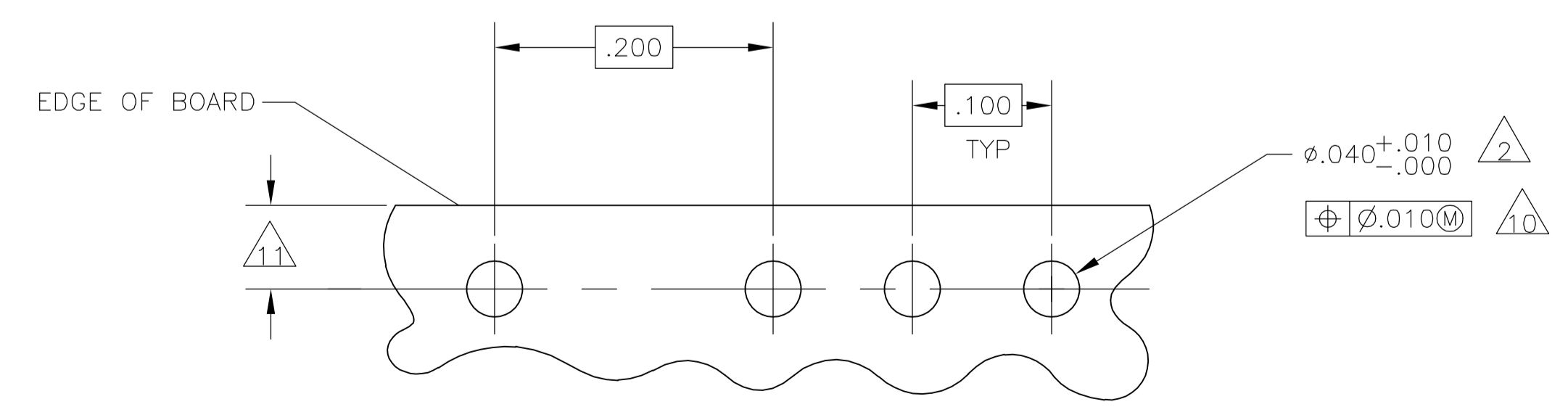
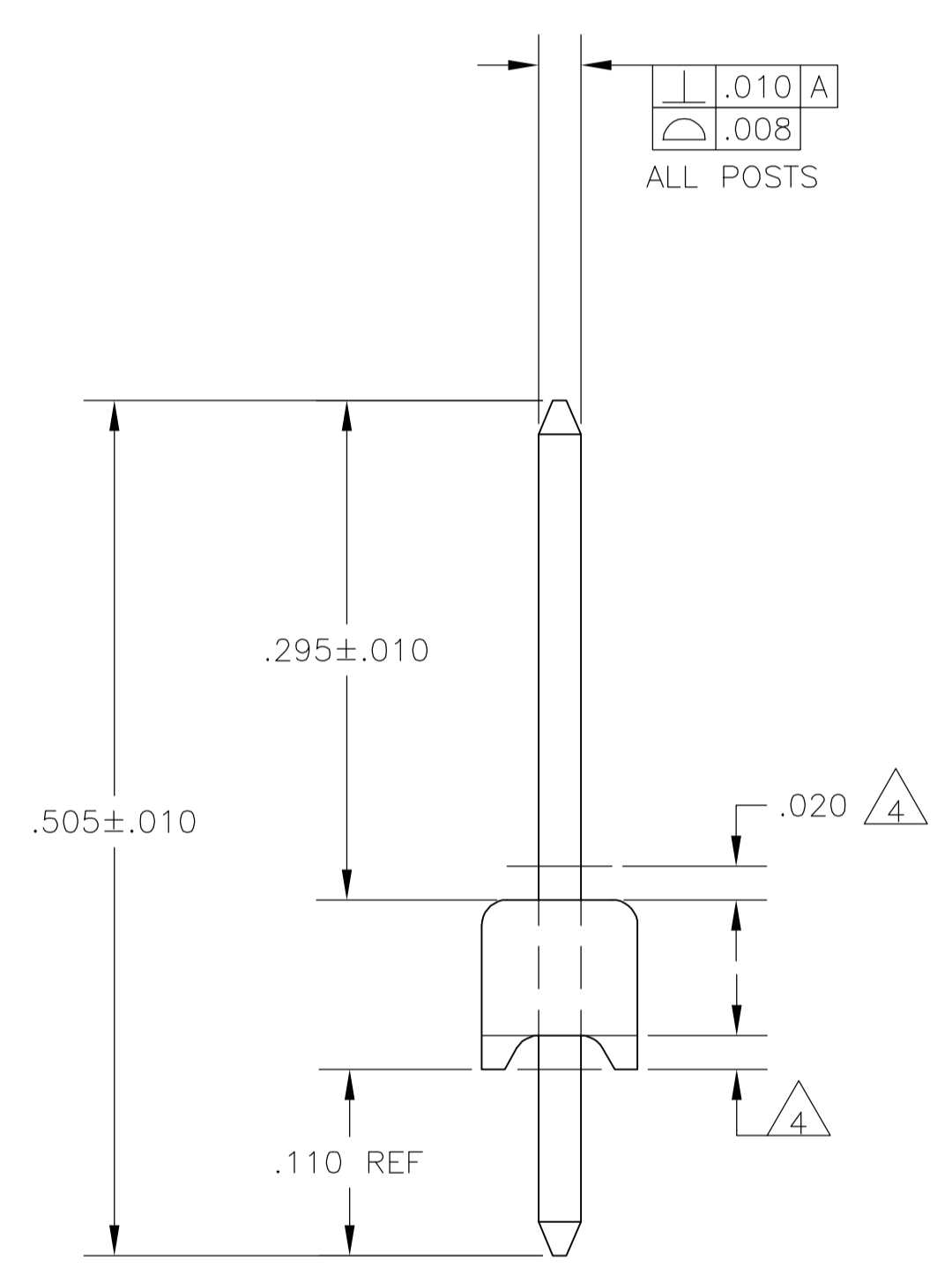
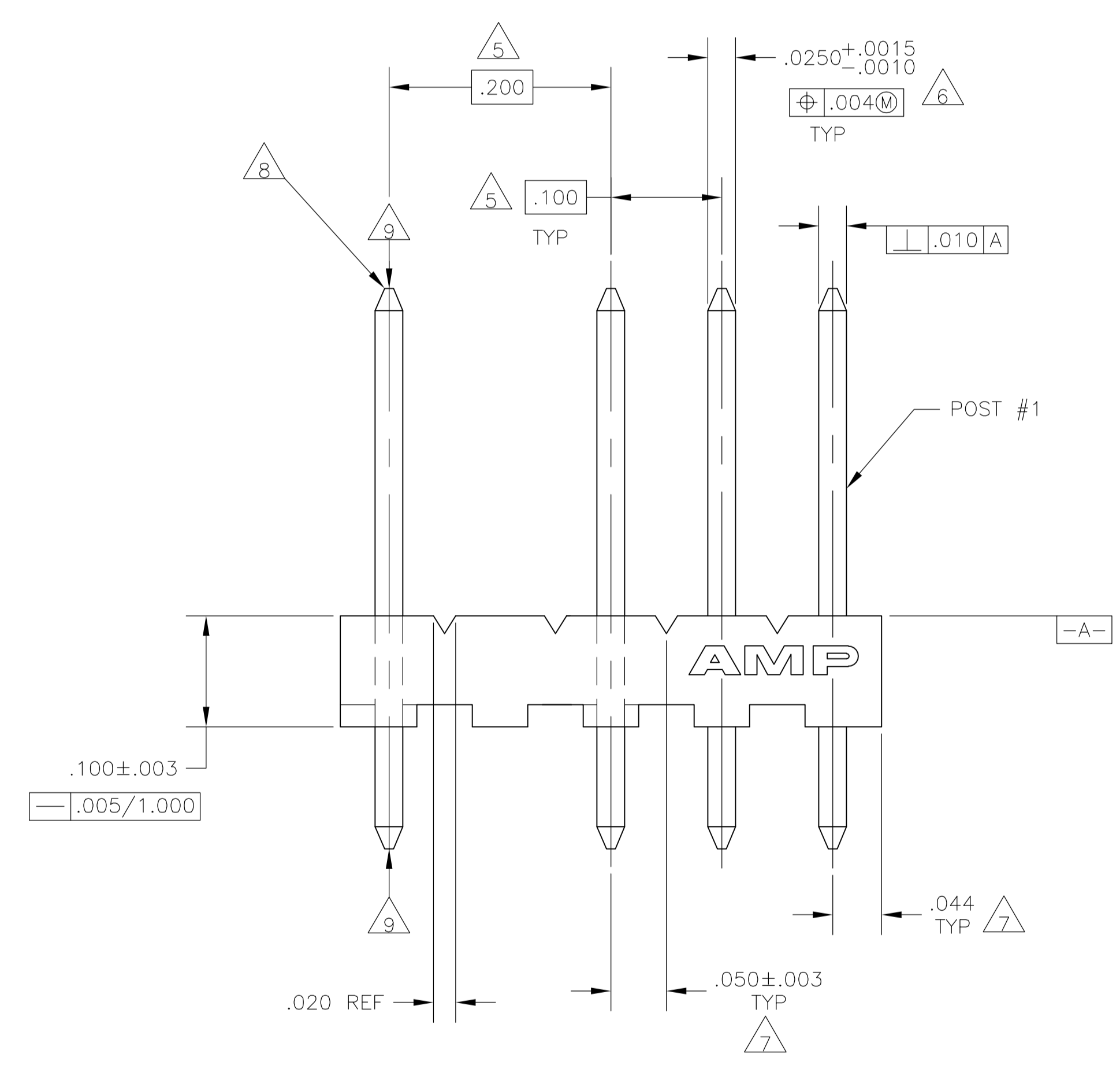
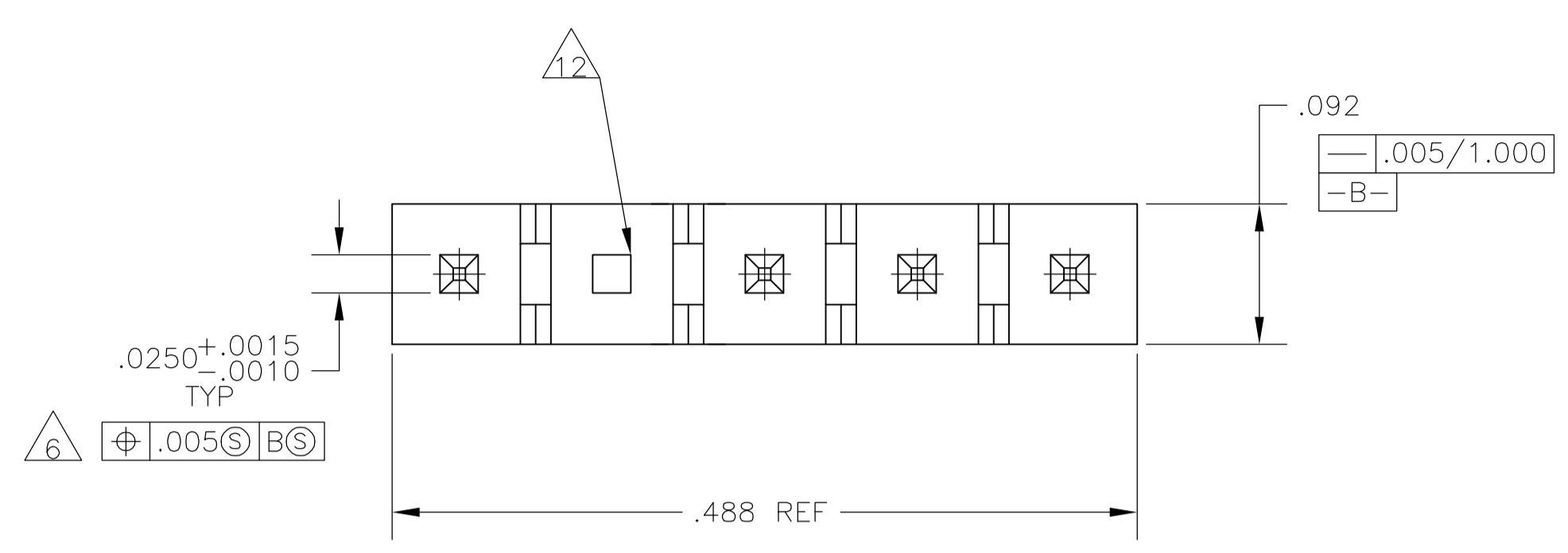


LOC		DIST		REVISIONS			
CM	00	REV	DATE	BY	APP'D	DATE	BY
F1		REVISED PER ECO-07-001393	19JAN07	KW	DB		



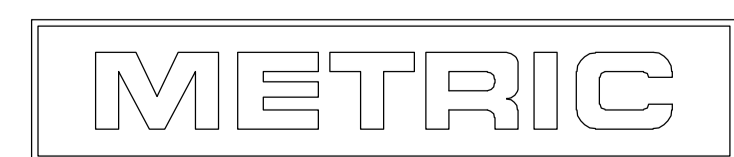
RECOMMENDED MOUNTING HOLE PATTERN FOR .063 THICK P.C. BOARD

- 1 MATERIAL:
BASE: THERMOPLASTIC POLYESTER, UL 94V-0 (NATURAL).
POST: COPPER ALLOY (TIN OR TIN-PLATED, .000150" MIN THICK-SEE PART NUMBER TABLE FOR DETAILS).
- 2 ONE HOLE MAY BE UNDERSIZED (.032-.035 DIA) FOR ASSEMBLY RETENTION DURING WAVE SOLDERING.
- 3. PARTS MUST COMPLY WITH AMP SOLDERABILITY SPEC 109-11-2.
- 4 PLASTIC AROUND POST PERMISSIBLE IN THIS AREA ONLY.
- 5 DIMENSION APPLIES WHEN HEADER IS HELD FLAT.
- 6 MEASURED AT [-A-]
- 7 COORDINATE DIMENSION APPLIES FROM CENTER OF ACTUAL FEATURE.
- 8 RADIUS AT TIP PERMITTED, BOTH ENDS.
- 9 POST MUST WITHSTAND 3.0 LB MIN AXIAL FORCE IN BOTH DIRECTIONS WITHOUT DISLODGING.
- 10 SOLDER SIDE OF BOARD IS SHOWN.
- 11 DIMENSION SHOULD BE .060 MIN WHEN MATING WITH A MTA-100 CONNECTOR ASSEMBLY OR A CST-100 CONNECTOR.
- 12 HOLE IN OMITTED POST LOCATION MAY NOT BE PRESENT.
- 13. AMP LOGO MAY OR MAY NOT APPEAR ON MOLDING HOUSING.

IN	MM	IN	MM
.035	0.89	1.000	25.40
.032	0.81	.505	12.83
.0250	0.635	.488	12.40
.025	0.64	.295	7.49
.020	0.51	.200	5.08
.010	0.25	.110	2.79
.008	0.20	.100	2.54
.005	0.13	.092	2.34
.004	0.10	.063	1.60
.003	0.08	.060	1.52
.0015	0.038	.050	1.27
.0010	0.025	.044	1.12
.000150	0.0038	.040	1.02
IN	MM	IN	MM

CONVERSION TABLE

SUPERSEDED BY 3-644454-1	TIN	4	3-644454-1
	TIN-LEAD	4	644454-1
	FINISH	POST NO. OMITTED	PART NUMBER



THIS DRAWING IS A CONTROLLED DOCUMENT.

DIMENSIONS: INCHES	TOLERANCES UNLESS OTHERWISE SPECIFIED:	DIN 9137	07JULY2005	tyco	Tyco Electronics Corporation
0 PLC ± -	1 PLC ± -	CHK D. ROSSI	07JULY2005	NAME	Harrisburg, Pa 17105-3608
2 PLC ± -	3 PLC ± -	AP'D D. ROSSI	07JULY2005	PRODUCT SPEC	MTA-100 HEADER ASSEMBLY, NARROW, .025 SQUARE STRAIGHT POST, TIN PLATED, 5 POSITION, OMITTED POST
4 PLC ± -	ANGLES ± -	APPLICATION SPEC	108-1050	SIZE	A1
MATERIAL	FINISH	WEIGHT	SCALE	10:1	SHEET 1 OF 1
		CUSTOMER DRAWING	SCALE	10:1	SHEET 1 OF 1