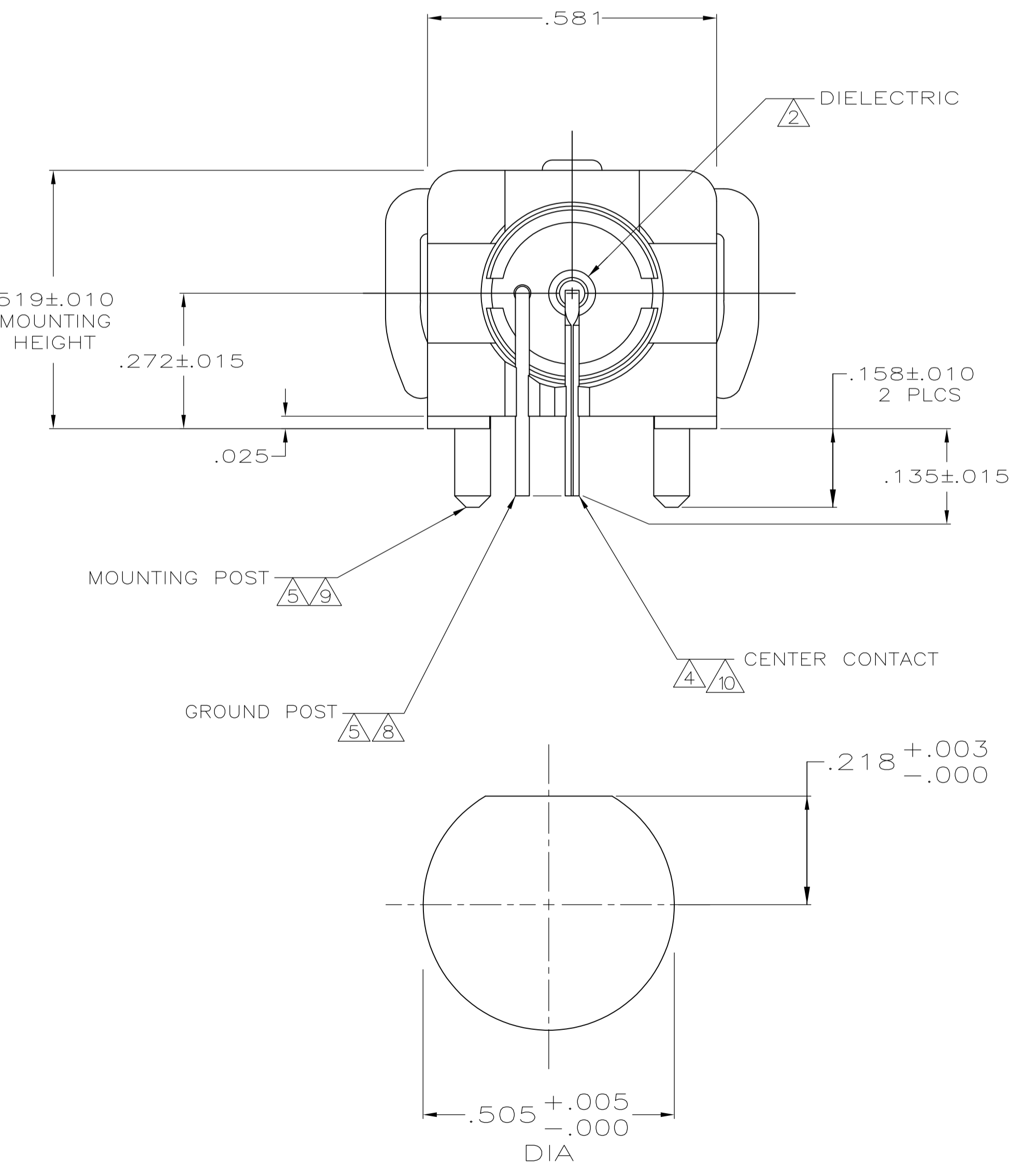
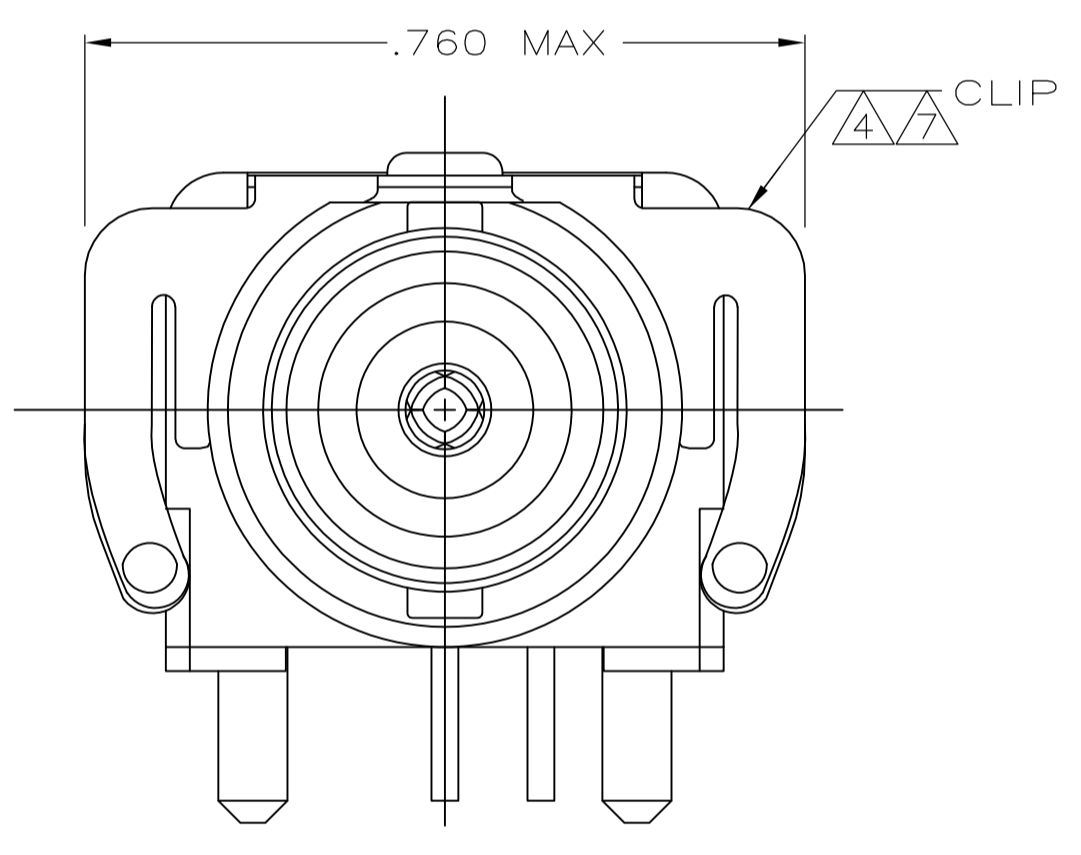
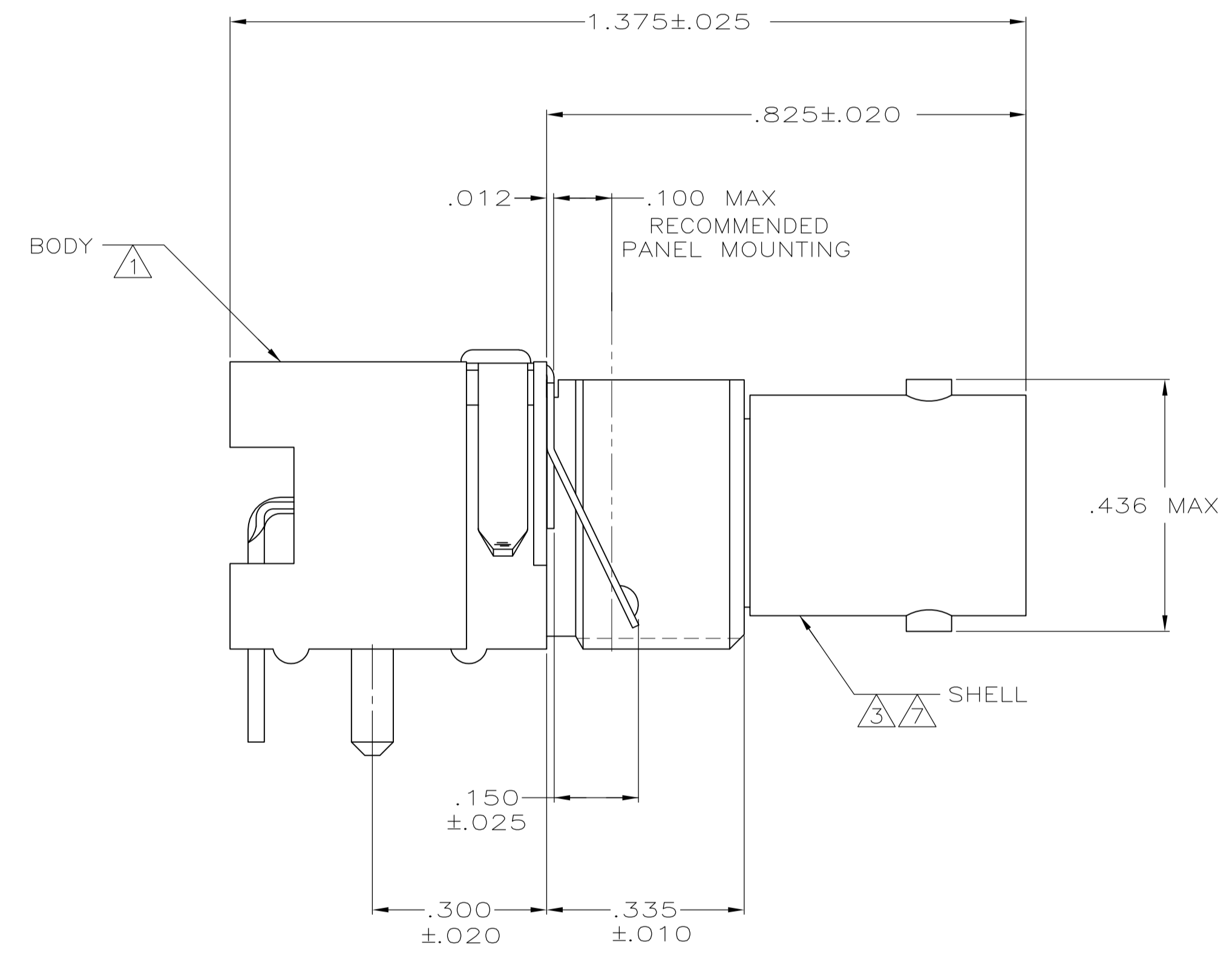
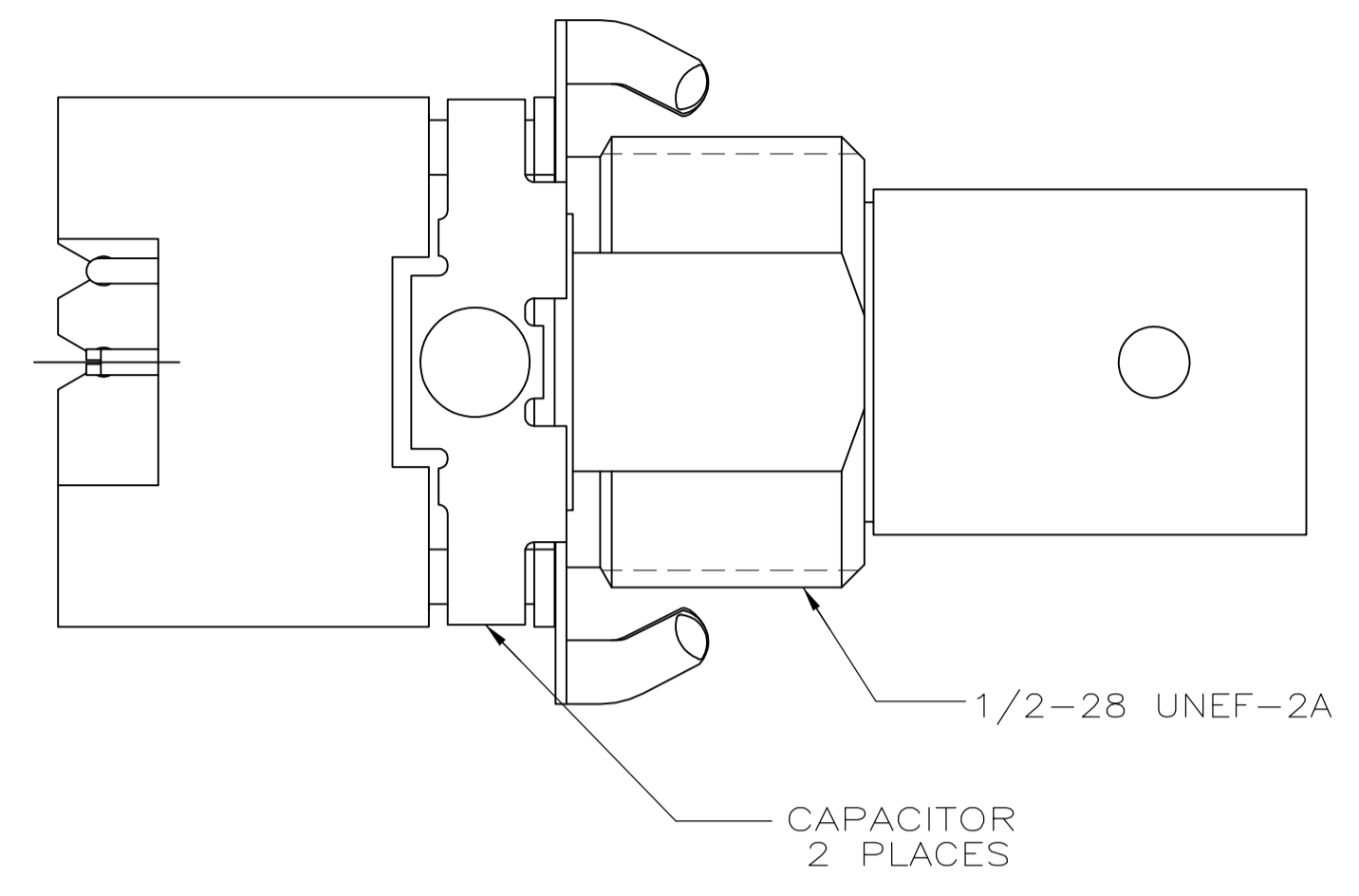


P.C.B. CONFIGURATION
SCALE=10:1



RECOMMENDED
PANEL CUTOUT



- 1 POLYESTER,PBT,BLACK,PER MIL-M-24519
- 2 POLYMETHYLPENTENE GENERAL PURPOSE
- 3 ZINC PER QQ-Z-363
- 4 PHOSPHOR BRONZE PER QQ-B-750
- 5 BRASS PER QQ-B-626
- 6 BRASS PER ASTM-B-453
- 7 NICKEL PL PER QQ-N-290
- 8 TIN PLATE PER ASTM-B-545
- 9 TIN PLATE PER ASTM-B-545
- 10 SELECTIVELY GOLD PLATED ON INTERFACE AREA PER: MIL-G-45204, .000030 THK,TIN PLATE ON SOLDER TAIL PER: ASTM-B-545, ALL OVER NICKEL PL PER: QQ-N-290

SUPERSEDED BY 414094-2	9400 pf, 1500 VDC	414094-2
	9400 pf, 500 VDC	414094-1
CAPACITANCE & VOLTAGE		PART NUMBER

THIS DRAWING IS A CONTROLLED DOCUMENT.		DIN M. SNEED 2-18-91	Tyco Electronics Corporation Harrisburg, PA 17105-3608	
DIMENSIONS: INCHES		CHK R. HENRY 2-18-91	NAME	
TOLERANCES UNLESS OTHERWISE SPECIFIED:		APP'D R. HENRY 2-18-91	PRODUCT SPEC	
0 PLC ± -		108-1269		
1 PLC ± -		APPLICATION SPEC		
2 PLC ± -		SIZE CAGE CODE DRAWING NO		
3 PLC ± .008		A1 00779 C=414094		
4 PLC ± -		RESTRICTED TO		
ANGLES ± -		CUSTOMER DRAWING		
MATERIAL THRU	FINISH	WEIGHT	SCALE 5:1	SHEET 1 OF 1 REV K