

# SAC-5P-M12MS/0,6-500/M12FR FB - Sensor/actuator cable



1421015

<https://www.phoenixcontact.com/pc/products/1421015>

Please be informed that the data shown in this PDF document is generated from our online catalog. Please find the complete data in the user documentation. Our general terms of use for downloads are valid.



Sensor/actuator cable, 5-position, Plug straight M12, coding: A, on Socket angled M12, coding: A, cable length: 0.6 m, with high-grade steel knurl

## Your advantages

- Easy and safe: 100% electrically tested plug-in components
- Contamination can be detected quickly – thanks to the light color

## Commercial data

|                                      |                                |
|--------------------------------------|--------------------------------|
| Item number                          | 1421015                        |
| Packing unit                         | 1 pc                           |
| Minimum order quantity               | 1 pc                           |
| Note                                 | Made to order (non-returnable) |
| Product key                          | BF1CDA                         |
| GTIN                                 | 4055626250458                  |
| Weight per piece (including packing) | 61.26 g                        |
| Weight per piece (excluding packing) | 52.22 g                        |
| Customs tariff number                | 85444290                       |
| Country of origin                    | PL                             |

# SAC-5P-M12MS/0,6-500/M12FR FB - Sensor/actuator cable



1421015

<https://www.phoenixcontact.com/pc/products/1421015>

## Technical data

### Product properties

|                      |                          |
|----------------------|--------------------------|
| Product type         | Sensor/actuator cable    |
| Number of positions  | 5                        |
| Application          | Food processing industry |
| No. of cable outlets | 1                        |
| Shielded             | no                       |
| Coding               | A                        |

### Insulation characteristics

|                      |    |
|----------------------|----|
| Overvoltage category | II |
| Degree of pollution  | 3  |

### Material specifications

|                               |                 |
|-------------------------------|-----------------|
| Material of grip body         | PP              |
| Contact material              | CuSn            |
| Contact surface material      | Ni/Au           |
| Contact carrier material      | PP              |
| Material for screw connection | Stainless steel |

### Electrical properties

|                       |                            |
|-----------------------|----------------------------|
| Contact resistance    | $\leq 5 \text{ m}\Omega$   |
| Insulation resistance | $\geq 100 \text{ M}\Omega$ |
| Nominal voltage $U_N$ | 48 V AC                    |
|                       | 60 V DC                    |
| Nominal current $I_N$ | 4 A                        |
| Protective circuit    | unwired                    |

### Mechanical properties

#### Mechanical data

|                             |            |
|-----------------------------|------------|
| Insertion/withdrawal cycles | $\geq 100$ |
|-----------------------------|------------|

### Signaling

|                        |    |
|------------------------|----|
| Status display         | No |
| Status display present | No |

### Connector

#### Connection 1

|                     |                   |
|---------------------|-------------------|
| Type                | Plug straight M12 |
| Number of positions | 5                 |
| Coding type         | A                 |
| Number of positions | 5                 |

# SAC-5P-M12MS/0,6-500/M12FR FB - Sensor/actuator cable



1421015

<https://www.phoenixcontact.com/pc/products/1421015>

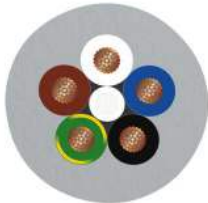
## Connection 2

|                     |                   |
|---------------------|-------------------|
| Type                | Socket angled M12 |
| Number of positions | 5                 |
| Coding type         | A                 |
| Number of positions | 5                 |

## Cable/line

|              |       |
|--------------|-------|
| Cable length | 0.6 m |
|--------------|-------|

## PVC gray [500]

|   |   |
|---|---|
| Dimensional drawing                           |  |
| Cable weight                                  | 51 kg/km  |
| UL AWM Style                                  | 2464 / 1729 (80°C/300 V)  |
| Number of positions                           | 5   |
| Shielded                                      | no  |
| Cable type                                    | PVC gray [500]  |
| Conductor structure signal line               | 19x 0.15 mm   |
| AWG signal line                               | 22  |
| Conductor cross section                       | 5x 0.34 mm <sup>2</sup> (Signal line)   |
| Wire diameter incl. insulation                | 1.26 mm ±0.05 mm  |
| External cable diameter                       | 5 mm ±0.15 mm   |
| Outer sheath, material                        | PVC   |
| External sheath, color                        | gray RAL 7001   |
| Conductor material                            | Bare Cu litz wires  |
| Material wire insulation                      | PVC   |
| Single wire, color                            | brown, white, blue, black, green-yellow   |
| Thickness, insulation                         | ≥ 0.23 mm (Core insulation)   |
| Thickness, outer sheath                       | ≥ 0.76 mm   |
| Overall twist                                 | 5 wires around filler to the core   |
| Max. conductor resistance                     | max. 57 Ω/km (at 20 °C)   |
| Insulation resistance                         | ≥ 200 MΩ*km (at 20 °C)  |
| Nominal voltage, cable                        | ≤ 300 V   |
| Test voltage                                  | ≥ 3000 V  |
| Minimum bending radius, fixed installation    | 5 x D   |
| Minimum bending radius, flexible installation | 10 x D  |
| Flame resistance                              | As per UL-Style 2464  |
| Ambient temperature (operation)               | -40 °C ... 80 °C (cable, fixed installation)  |

# SAC-5P-M12MS/0,6-500/M12FR FB - Sensor/actuator cable



1421015

<https://www.phoenixcontact.com/pc/products/1421015>

|  |   |
|--|---|
|  | -25 °C ... 80 °C (Cable, flexible installation) |
|--|---|

## Environmental and real-life conditions

### Ambient conditions

|                                 |                                  |
|---------------------------------|----------------------------------|
| Degree of protection            | IP65                             |
|                                 | IP67                             |
|                                 | IP68                             |
|                                 | IP69K                            |
| Ambient temperature (operation) | -25 °C ... 90 °C (Plug / socket) |

# SAC-5P-M12MS/0,6-500/M12FR FB - Sensor/actuator cable

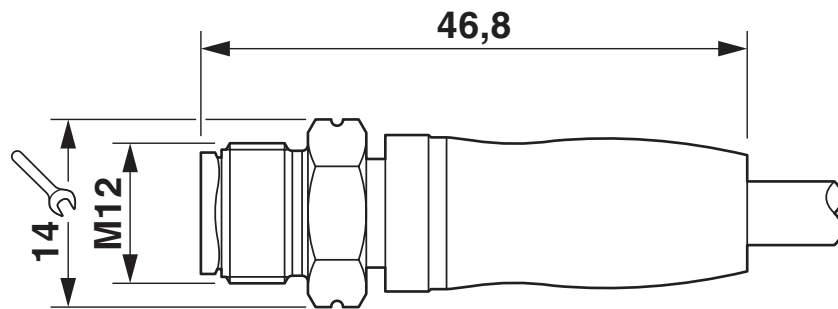


1421015

<https://www.phoenixcontact.com/pc/products/1421015>

## Drawings

Dimensional drawing



Plug, M12 x 1, straight

Circuit diagram

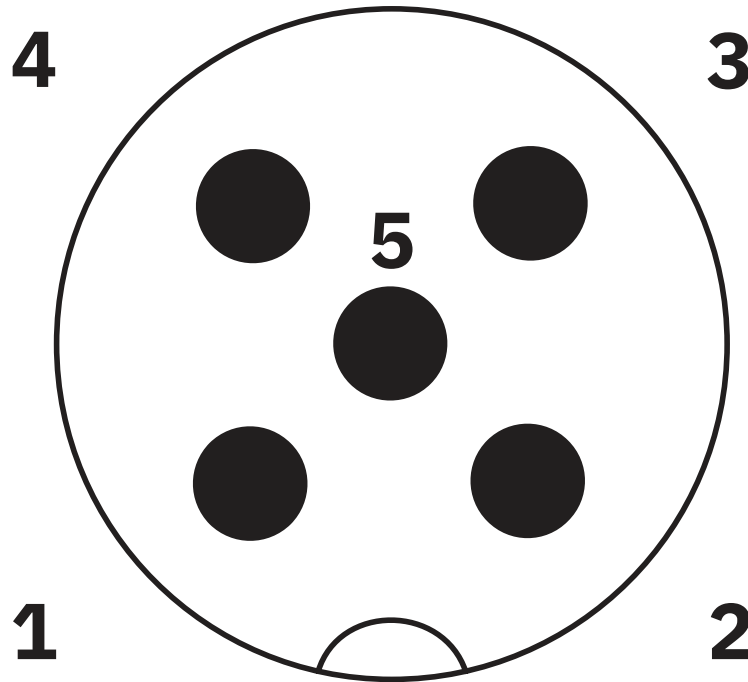


# SAC-5P-M12MS/0,6-500/M12FR FB - Sensor/actuator cable

1421015

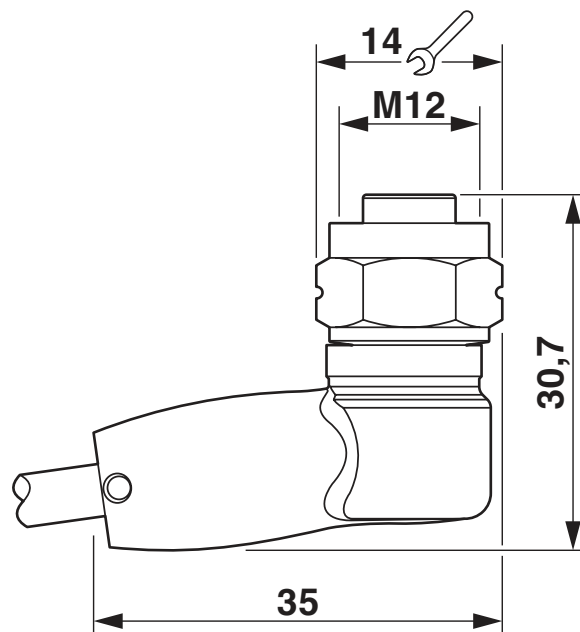
<https://www.phoenixcontact.com/pc/products/1421015>

Schematic diagram



Pin assignment M12 male connector, 5-pos., A-coded, male side

Dimensional drawing



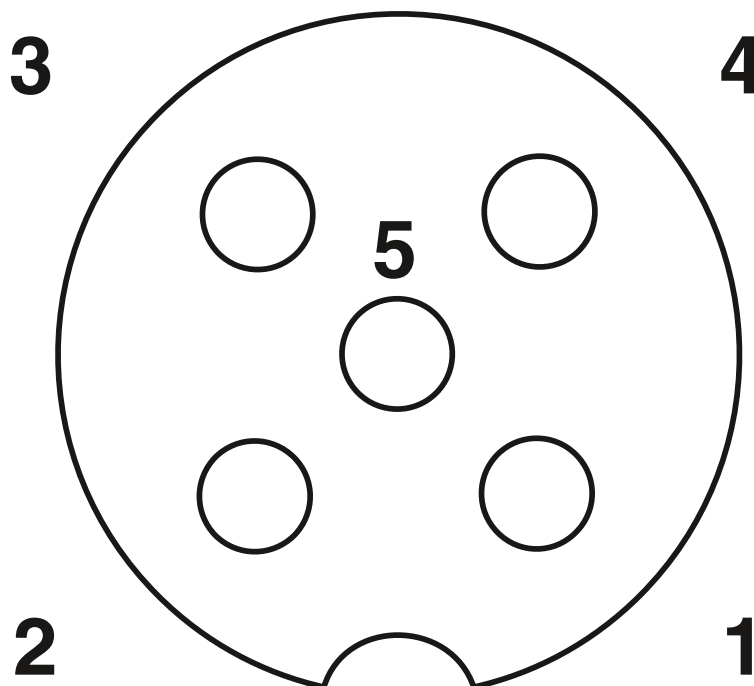
M12 x 1 socket, angled

# SAC-5P-M12MS/0,6-500/M12FR FB - Sensor/actuator cable

1421015

<https://www.phoenixcontact.com/pc/products/1421015>

Schematic diagram



Pin assignment M12 socket, 5-pos., A-coded, socket side view

# SAC-5P-M12MS/0,6-500/M12FR FB - Sensor/actuator cable





1421015

<https://www.phoenixcontact.com/pc/products/1421015>

## Approvals

To download certificates, visit the product detail page: <https://www.phoenixcontact.com/pc/products/1421015>

|  <b>UL Listed</b><br>Approval ID: FILE E 221474 |                       |                       |                   |                             |
|--|-----------------------|-----------------------|-------------------|-----------------------------|
|  | Nominal voltage $U_N$ | Nominal current $I_N$ | Cross section AWG | Cross section $\text{mm}^2$ |
|  | 48 V                  | 4 A                   | -                 | -                           |

|  <b>cUL Listed</b><br>Approval ID: FILE E 221474 |                       |                       |                   |                             |
|---|-----------------------|-----------------------|-------------------|-----------------------------|
|   | Nominal voltage $U_N$ | Nominal current $I_N$ | Cross section AWG | Cross section $\text{mm}^2$ |
|   | 48 V                  | 4 A                   | -                 | -                           |

|  <b>EAC-RoHS</b><br>Approval ID: RU D-DE.HB35.B.00385 |  |
|---|--|
|---|--|

| <b>cULus Listed</b> |
|---------------------|
|---------------------|



# SAC-5P-M12MS/0,6-500/M12FR FB - Sensor/actuator cable



1421015

<https://www.phoenixcontact.com/pc/products/1421015>

## Classifications

### ECLASS

|             |          |
|-------------|----------|
| ECLASS-11.0 | 27060311 |
| ECLASS-12.0 | 27060311 |
| ECLASS-13.0 | 27060311 |

### ETIM

|          |          |
|----------|----------|
| ETIM 8.0 | EC001855 |
|----------|----------|

### UNSPSC

|             |          |
|-------------|----------|
| UNSPSC 21.0 | 26121600 |
|-------------|----------|

# SAC-5P-M12MS/0,6-500/M12FR FB - Sensor/actuator cable



1421015

<https://www.phoenixcontact.com/pc/products/1421015>

## Environmental product compliance

|            |   |
|------------|---|
| REACH SVHC | Dechlorane Plus   |
| China RoHS | Environmentally friendly use period: unlimited = EFUP-e |
|            | No hazardous substances above threshold values          |

# SAC-5P-M12MS/0,6-500/M12FR FB - Sensor/actuator cable



1421015

<https://www.phoenixcontact.com/pc/products/1421015>

## Accessories

### TSD 04 SAC - Torque screwdriver

1208429

<https://www.phoenixcontact.com/pc/products/1208429>



Torque screwdriver, with preset torque of 0.4 Nm and 4 mm hexagonal drive for M12 connectors

---

### TSD-M 1,2NM - Torque screwdriver

1212224

<https://www.phoenixcontact.com/pc/products/1212224>



Torque screw driver, accuracy as per EN ISO 6789 standard, adjustable from 0.3 - 1.2 Nm

# SAC-5P-M12MS/0,6-500/M12FR FB - Sensor/actuator cable



1421015

<https://www.phoenixcontact.com/pc/products/1421015>

## TSD-M SAC-BIT ADAPTER - Adapter insert

1212600

<https://www.phoenixcontact.com/pc/products/1212600>



Adapter bit for TSD-M...torque tools, E6.3-1/4" drive with 4 mm hexagon to accommodate SAC bits

---

## SAC BIT M12-W14 - Tool

1212513

<https://www.phoenixcontact.com/pc/products/1212513>



Nut for assembling sensor/actuator cables with M12 connector and M12 connectors for assembly, with a hexagonal knurl wrench size of 14 mm, with 4 mm hexagonal drive

---

Phoenix Contact 2023 © - all rights reserved  
<https://www.phoenixcontact.com>

PHOENIX CONTACT GmbH & Co. KG  
Flachsmarktstraße 8  
D-32825 Blomberg  
+49 (0) 5235-3 00  
[info@phoenixcontact.com](mailto:info@phoenixcontact.com)