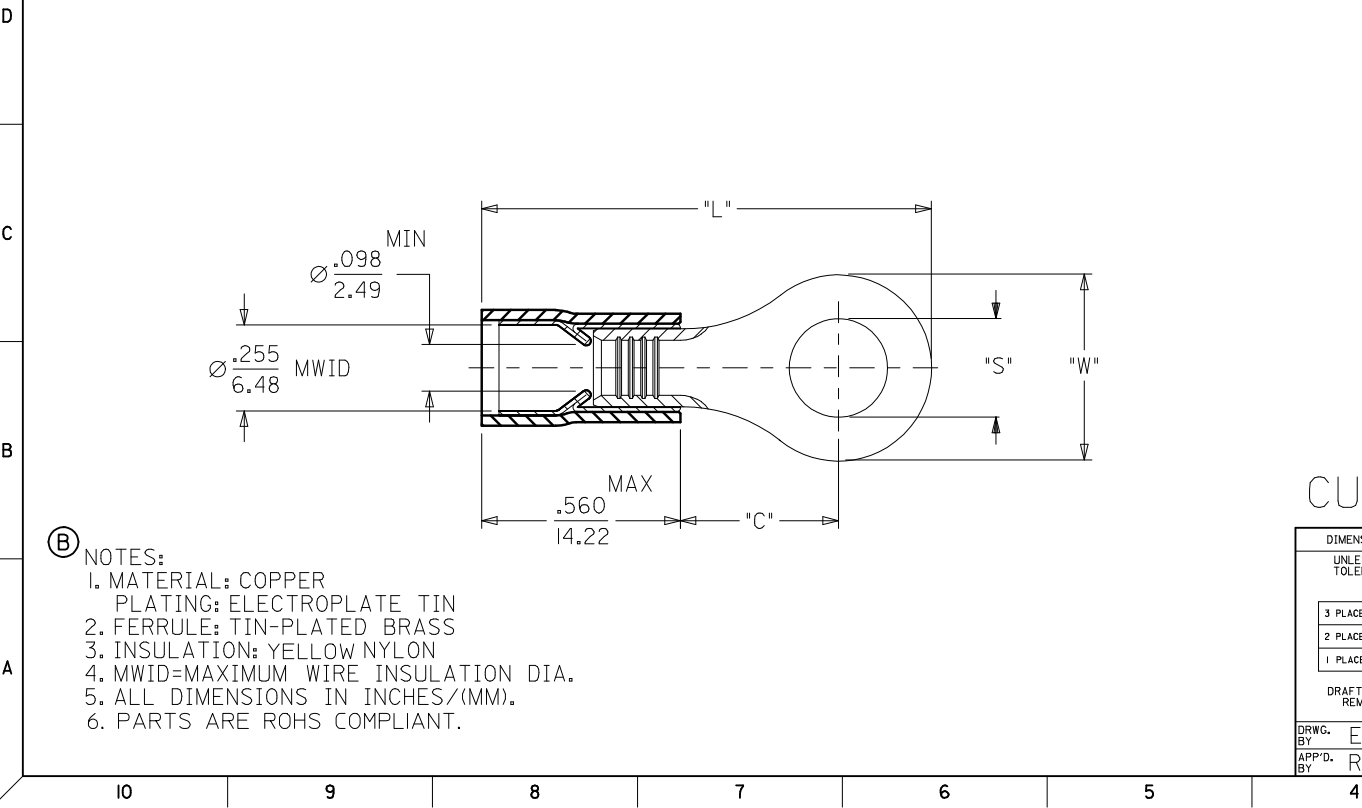
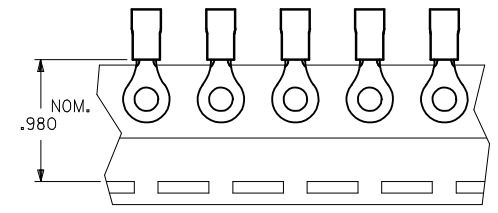


	10	9	8	7	6	5	4	3	2	1
	MATERIAL NUMBER	ALTERNATE NUMBER	STUD SIZE	"S"	"W" MAX	"C" MIN	"L" MAX	PACKAGING		
F	190580021	B-801-14HDX	1/4	.265 (6.73)	.760 (19.30)	.641 (16.28)	1.581 (40.15)	LOOSE PIECE		
	190580025	B-801-56HDX	5/16	.328 (8.33)	.760 (19.30)	.641 (16.28)	1.581 (40.15)			
	190580023	B-801-38HDX	3/8	.390 (9.91)	.760 (19.30)	.641 (16.28)	1.581 (40.15)			
	190580027	B-801-76HDX	7/16	.453 (11.51)	.760 (19.30)	.641 (16.28)	1.581 (40.15)			
	190580018	B-801-12HDX	1/2	.515 (13.08)	.760 (19.30)	.641 (16.28)	1.581 (40.15)			
	190580035	B-828-04HDX	4	.123 (3.12)	.385 (9.78)	.423 (10.74)	1.086 (27.58)	TAPE MOUNTED		
	190580039	B-828-06HDX	6	.146 (3.70)	.385 (9.78)	.423 (10.74)	1.086 (27.58)			
	190580045	B-828-08HDX	8	.173 (4.39)	.385 (9.78)	.423 (10.74)	1.086 (27.58)			
E	190580051	B-828-10HDX	10	.198 (5.03)	.385 (9.78)	.423 (10.74)	1.086 (27.58)			
	190580054	B-828-209HDX	209	.209 (5.31)	.385 (9.78)	.423 (10.74)	1.086 (27.58)			
	190580019	B-801-12HDXT	1/2	.515 (13.08)	.760 (19.30)	.641 (16.28)	1.581 (40.15)	TAPE MOUNTED		
	190580036	B-828-04HDXT	4	.123 (3.12)	.385 (9.78)	.423 (10.74)	1.086 (27.58)			
	190580040	B-828-06HDXT	6	.146 (3.70)	.385 (9.78)	.423 (10.74)	1.086 (27.58)			
	190580046	B-828-08HDXT	8	.173 (4.39)	.385 (9.78)	.423 (10.74)	1.086 (27.58)			
	190580053	B-828-10HDXT	10	.198 (5.03)	.385 (9.78)	.423 (10.74)	1.086 (27.58)			



- ⓑ NOTES:
1. MATERIAL: COPPER
PLATING: ELECTROPLATE TIN
 2. FERRULE: TIN-PLATED BRASS
 3. INSULATION: YELLOW NYLON
 4. MWID=MAXIMUM WIRE INSULATION DIA.
 5. ALL DIMENSIONS IN INCHES/(MM).
 6. PARTS ARE ROHS COMPLIANT.

B	CHANGED NYLON FROM BLUE TO YELLOW IPG2014-2101 2014/06/10 GR
A	NEW CUST. DWG. ETC2001-0196 2000/11/17 EDB
LTR.	REVISIONS

CUSTOMER DRAWING

DIMENSIONS SHOWN (METRIC) INCH		UNLESS OTHERWISE SPECIFIED TOLERANCES: ANGULAR ± 1/2°		REVISE ONLY ON CAD SYSTEM	
				TITLE	
				AVIKRIMP EXPANDED RING TONGUE TERMINAL HEAVY DUTY 16-14 AWG	
				molex ETC INC. SHEET NO. DATE	
				PINELLAS PARK, FLA. 33781 U.S.A. 1 OF 1 00/09/29	
				PART NO. DRWG. NO.	
				SEE TABLE SD-19058-002	
DRWG. BY: EDB		CHK'D. BY: RWD		FILE NAME: SD19058002.DGN	
APP'D. BY: RWD		SCALE: NO=NE		THIS DRAWING CONTAINS INFORMATION THAT IS PROPRIETARY TO MOLEX-ETC INC. AND SHOULD NOT BE USED WITHOUT WRITTEN PERMISSION.	
				DIV. SIZE: ET B	