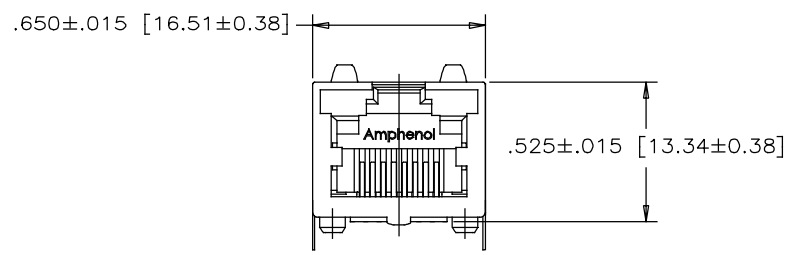
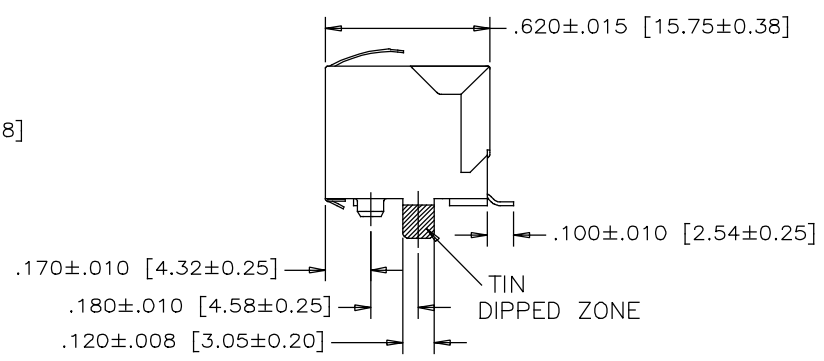


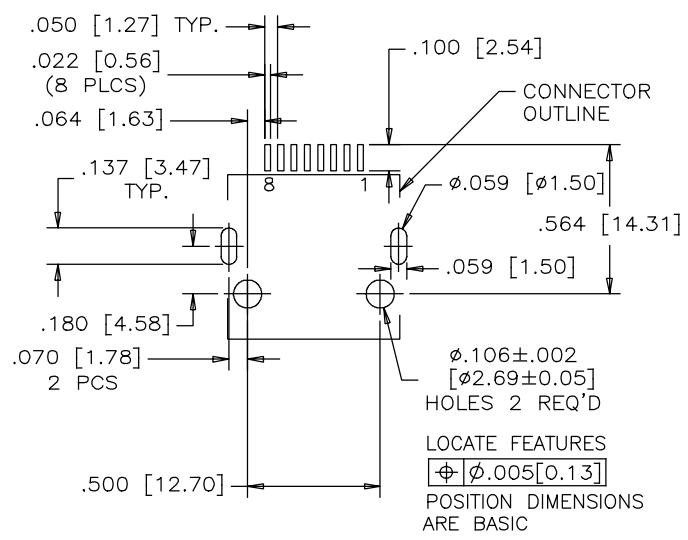
REVISIONS				
SYM	ZONE	ECN, ERN NO.	DATE	APPRD.
B		PROPOSAL	Jul 5.09	L.CHAN
C		ADD PACKING DRAWING	July 28.09	L.CHAN
D		MODIFY TRAY PER CUSTOMER REQUIREMENT	Aug 25.09	L.CHAN
E		CORRECT ERROR	JUL 08.14	L.CHAN



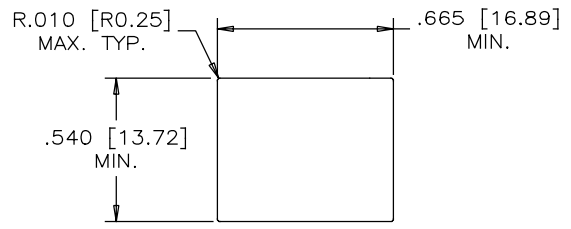
FRONT VIEW



SIDE VIEW



RECOMMENDED P.C.B. LAYOUT
(COMPONENT SIDE OF BOARD)



RECOMMENDED PANEL CUTOUT

MATERIALS:

PLASTIC HOUSING: HIGH TEMPERATURE THERMOPLASTIC
FLAMMABILITY RATING UL 94V-0 COLOR: BLACK.

CONTACTS:

PHOSPHOR BRONZE
PLATING: 20 μ" [0.51 MICRONS]
MIN. GOLD ON MATING SURFACES.
50 μ" [1.27 MICRONS]
MIN. NICKEL UNDERPLATE
100 μ" [2.54 MICRONS]
MIN. MATTE TIN ON CONTACT TAILS.

SHIELD:

COPPER ALLOY
PLATING: NICKEL

PART NUMBER: RJSSE-5S80

SHELL OPTION _____
S - SPECIAL SOLDER
TAIL OF SHEEL

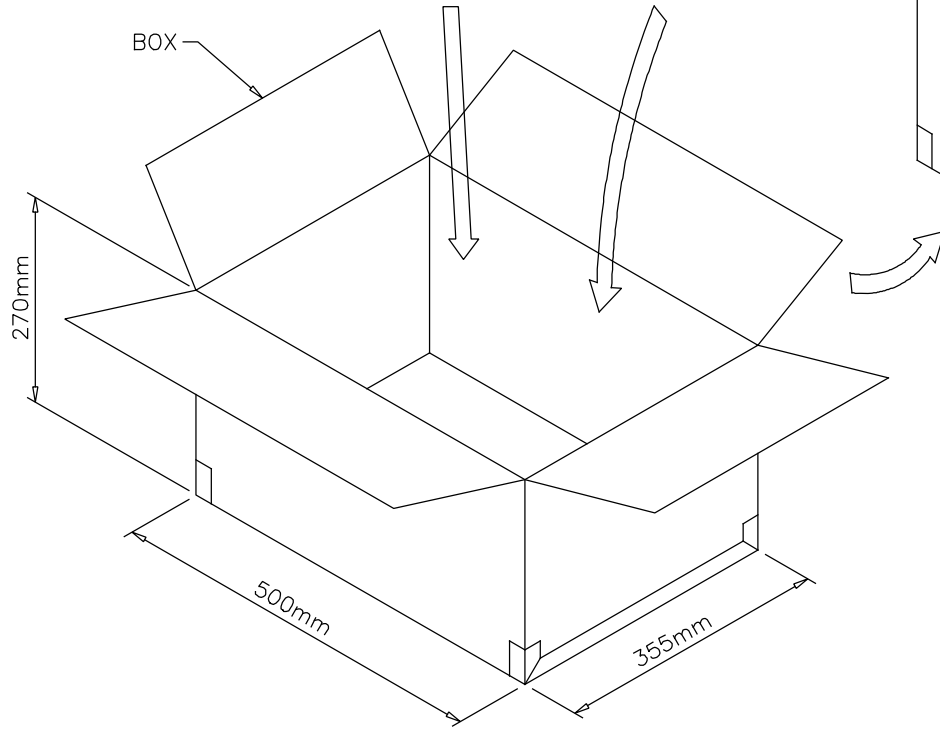
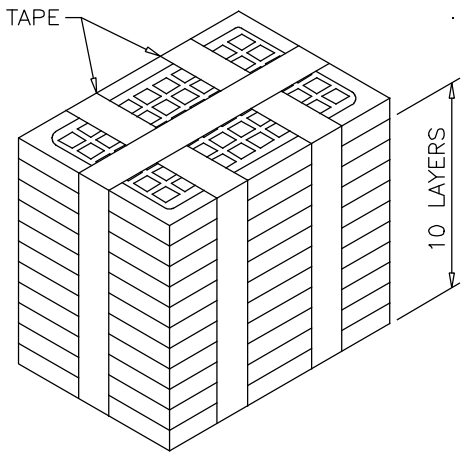
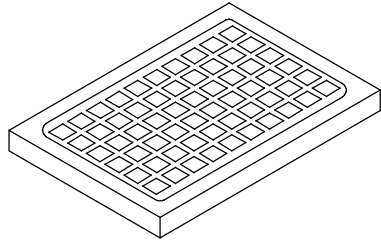
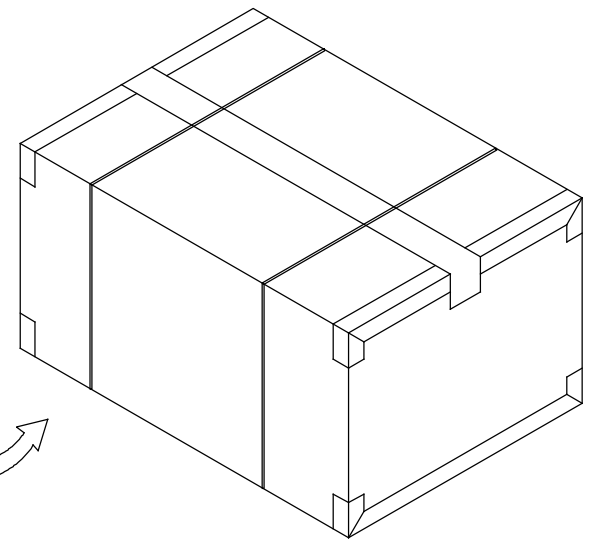
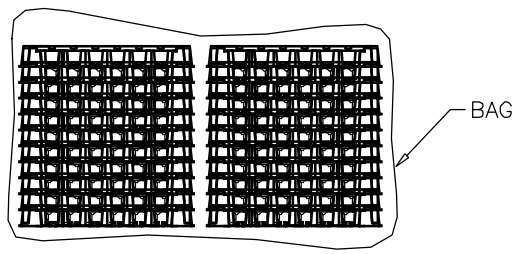


DRAWN	MT.chen	DATE	Jul 4.09
DESIGNED			
CHECKED	L.CHAN	DATE	Jul 4.09
I. E. APPRD.	Oyang	DATE	Jul 4.09
Q. A. APPRD.	Joe	DATE	Jul 4.09
DWG. APPRD.			
ENG. REL. NO.			
REF.			
DIMENSIONS ARE IN		CODE ID. NO.	
INCHES [mm]		03554	

Amphenol Canada Corp.			
TITLE SINGLE PORT, SURFACE MOUNT, RJ45 MODULAR JACK, 8 POSITION, 8 CONTACTS, SHIELDED, NO SIDE TABS, WITHOUT LEDS - RoHS COMPLAINT			
DWG	DRAWING NO.	REV.	
	P-RJSSE-5S80	E	
SCALE	WT.	SURF.	SHEET 1 OF 2

THIS DOCUMENT CONTAINS PROPRIETARY INFORMATION AND SUCH INFORMATION MAY NOT BE DISCLOSED TO OTHERS FOR ANY PURPOSE OR USED FOR MANUFACTURING PURPOSES WITHOUT WRITTEN PERMISSION FROM AMPHENOL CANADA CORP.

REVISIONS				
SYM	ZONE	ECN, ERN NO.	DATE	APPRD.
A		PROPOSAL	Jun 4.09	L.CHAN
B		PROPOSAL	Jun 5.09	L.CHAN
C		ADD PACKING DRAWING	July 28.09	L.CHAN
D		MODIFY TRAY PER CUSTOMER REQUIREMENT	Aug 25.09	L.CHAN
E		CORRECT ERROR	JUL 08.16	L.CHAN



- NOTES:
1. EACH TRAY PACK 60PCS CONNECTORS
 2. EACH CARTON PACK 20 TRAYS (1200 PCS CONNECTORS)

DRAWN	MT.chen	DATE	Jun 4.09
DESIGNED			
CHECKED	L.CHAN	DATE	Jun 4.09
I. E. APPRD.	Oyang	DATE	Jun 4.09
Q. A. APPRD.	Joe	DATE	Jun 4.09
DWG. APPRD.			
ENG. REL. NO.			
REF.			
DIMENSIONS ARE IN	CODE ID. NO.		
INCHES [mm]	03554		

Amphenol Canada Corp.			
TITLE SINGLE PORT, SURFACE MOUNT, RJ45 MODULAR JACK, 8 POSITION, 8 CONTACTS, SHIELDED, NO SIDE TABS, WITHOUT LEDs - PACKING DRAWING (RoHS COMPLAINT)			
DWG	DRAWING NO.	REV.	
	P-RJSSE-5S80	E	
SCALE	WT. -----	SURF. -----	SHEET 2 of 2

THIS DOCUMENT CONTAINS PROPRIETARY INFORMATION AND SUCH INFORMATION MAY NOT BE DISCLOSED TO OTHERS FOR ANY PURPOSE OR USED FOR MANUFACTURING PURPOSES WITHOUT WRITTEN PERMISSION FROM AMPHENOL CANADA CORP.