

Features

- DC to 2 GHz
- Terminals for PCB placement
- Low VSWR
- Aluminum Nitride ceramic



This series is **not recommended for new designs.**

CHF2010CNP Series 10 W Power RF Chip Termination

General Specifications

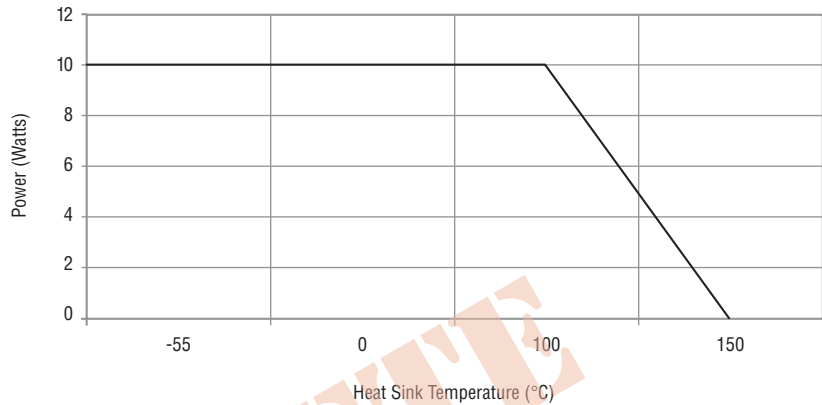
Substrate ALN
 Resistive Film Thick-Film
 Terminals PtAg*
 Resistance 50 Ω
 Tolerance ±5 %
 Packaging
 Tape & Reel 2000 pcs./7" reel
 Bulk 100 pcs./bag

Absolute Ratings

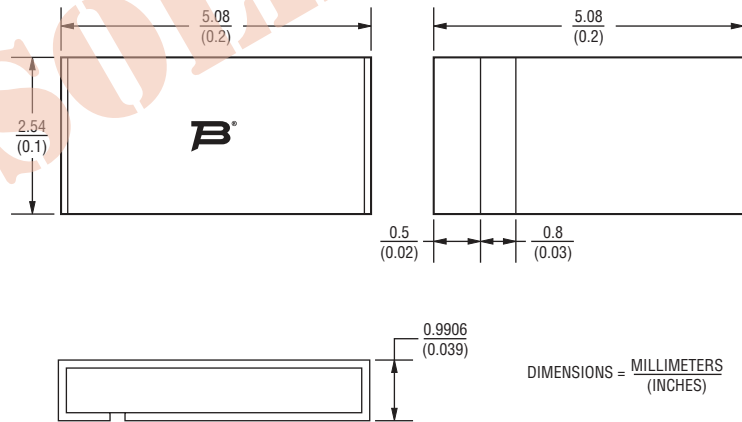
Power 10 W
 Frequency 2 GHz
 VSWR 1.2 Maximum

*Default, other finish options available (see How to Order section).

Characteristic Curve



Product Dimensions



How to Order

CHF 2010 C N P 500 L Y E

Model _____
 Size _____
 Version _____
 Substrate _____
 Mount _____
 P = Printed Circuit Board
 Value _____
 500 = 50 Ohm
 Function _____
 L = Termination
 Finish _____
 Y = Pt Ag (Default)
 Z = Sn Pb
 X = Ni Au
 Packaging _____
 E = Tape & Reel (2,000 pcs./7" reel)
 _ = Bulk (100 pcs./bag)

*RoHS Directive 2002/95/EC Jan. 27, 2003 including annex and RoHS Recast 2011/65/EU June 8, 2011. Specifications are subject to change without notice. The device characteristics and parameters in this data sheet can and do vary in different applications and actual device performance may vary over time. Users should verify actual device performance in their specific applications.

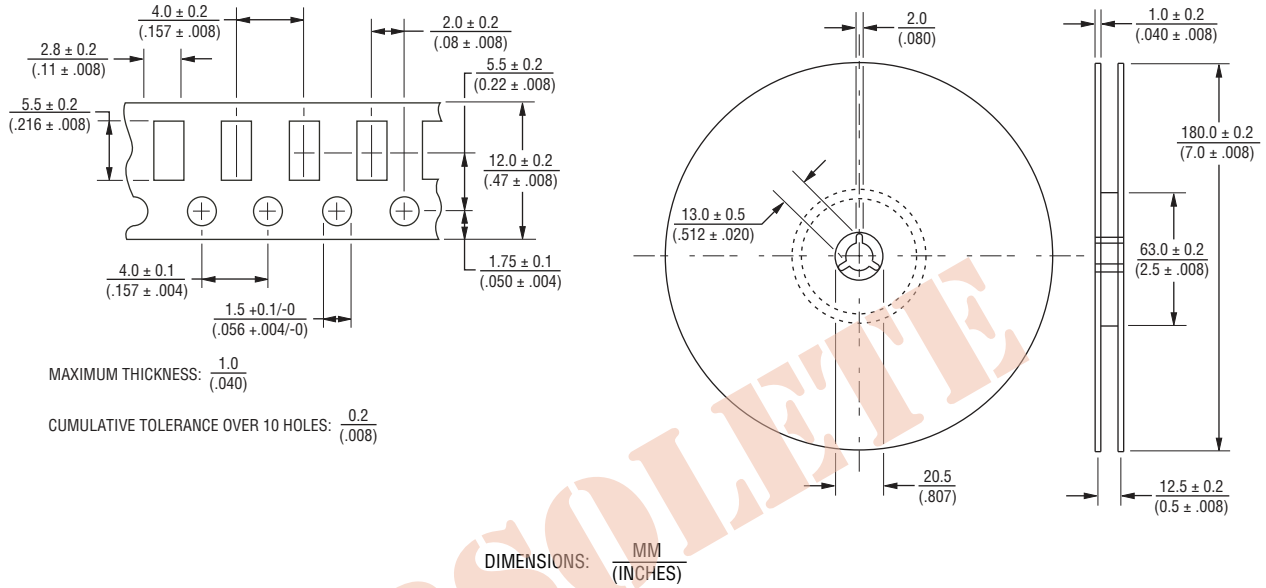
Applications

- RF amplifiers
- Attenuators
- Antenna feeds

CHF2010CNP Series 10 W Power RF Chip Termination

BOURNS®

Packaging Dimensions



REV. 12/15

Specifications are subject to change without notice.
The device characteristics and parameters in this data sheet can and do vary in different applications and actual device performance may vary over time.
Users should verify actual device performance in their specific applications.