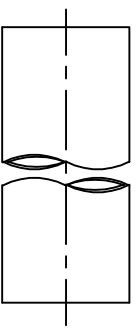
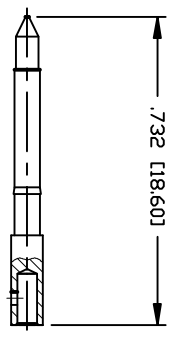
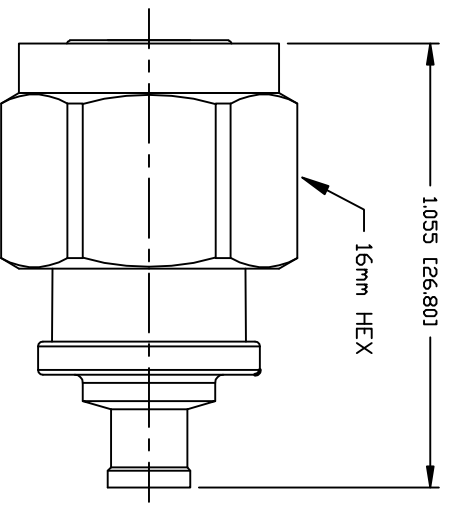


PART NO. **RFD-225M-SR2**

REV	DESCRIPTION	DWN	DATE	APPROVED
—	ENGINEERING RELEASE	DW	9/23/20	JDMC

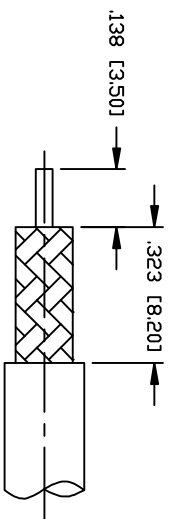


SOLDER ONLY INSULATOR SHRINK TUBING

DIRECT SOLDER 2.2/5 MALE

SPECIFICATIONS:

INTERFACE: IEC-61169-66
 IMPEDANCE: 50 Ohms
 FREQUENCY RANGE: 0-6 GHz
 RL TEST ON TFT-402-LF 2X CONNECTORS
 RETURN LOSS: 32 dB @ 700 MHz
 RETURN LOSS: 28 dB @ 2000 MHz
 RETURN LOSS: 24 dB @ 2500-3000 MHz
 RETURN LOSS: 23 dB @ 3000-4000 MHz
 RETURN LOSS: 19 dB @ 4000-5000 MHz
 RETURN LOSS: 18 dB @ 5000-6000 MHz
 3rd ORDER IM: ≤-165 dBc (RELATIVE TO CARRIER)
 3rd ORDER IM TEST METHOD: 2x43dBm CARRIERS
 INSULATION RESISTANCE: 5k Mohms min.
 POWER HANDLING: 250W @ 2 GHz
 TEMPERATURE RANGE: -40°C TO 85°C
 MATING TORQUE: 3 Nm
 DURABILITY: >100 MATING CYCLES
 ENVIRONMENTAL: IP68 MATED
 Rohs COMPLIANT: 2002/95/IEC
 NET WEIGHT: 0.05 lb



RECOMMENDED STRIPPING DIMENSIONS

USED ON: RG-402/U, TFT-402-LF, FLEX-402, 1673A, SS402, EZ-FLEX-402

#	DESCRIPTION	QTY	MATERIAL	FINISH
1	BODY	1	BRASS	CUSnZn ALLOY
2	INSULATOR	1	PIFE	NATURAL WHITE
3	PIN	1	BRASS	SILVER
4	GASKET	1	SILICONE	---
5	RETAINING RING	1	BRASS	CUSnZn ALLOY
6	TUBING	1	HEAT SHRINK	BLACK
7	COUPLING NUT	1	BRASS	CUSnZn ALLOY

CUSTOMER OUTLINE DRAWING
 ALL DIMENSIONS ARE IN INCHES
 ARE REFERENCE ONLY
 UNLESS OTHERWISE SPECIFIED:
 DIMENSIONS ARE IN INCHES
 AND [MILLIMETERS]

PROPRIETARY AND CONFIDENTIAL
 THIS DRAWING CONTAINS INFORMATION PROPRIETARY TO RF INDUSTRIES. ANY UNAUTHORIZED USE OF THIS DRAWING IS EXPRESSLY PROHIBITED WITHOUT WRITTEN PERMISSION FROM RF INDUSTRIES. ANY VIOLATION IS PUNISHABLE UNDER U.S. COPYRIGHT LAWS.

RF Industries
 DIVISION OF RF INDUSTRIES, LTD. (858) 549-6345 FAX

2.2/5 MALE

DIRECT SOLDER FOR RG-402 TYPE CABLE

CABLE GROUP DWG # **RFD-225M-SR2** REVISION

FORMAT A SCALE NTS CONTROL # 000000 SHEET 1 OF 1