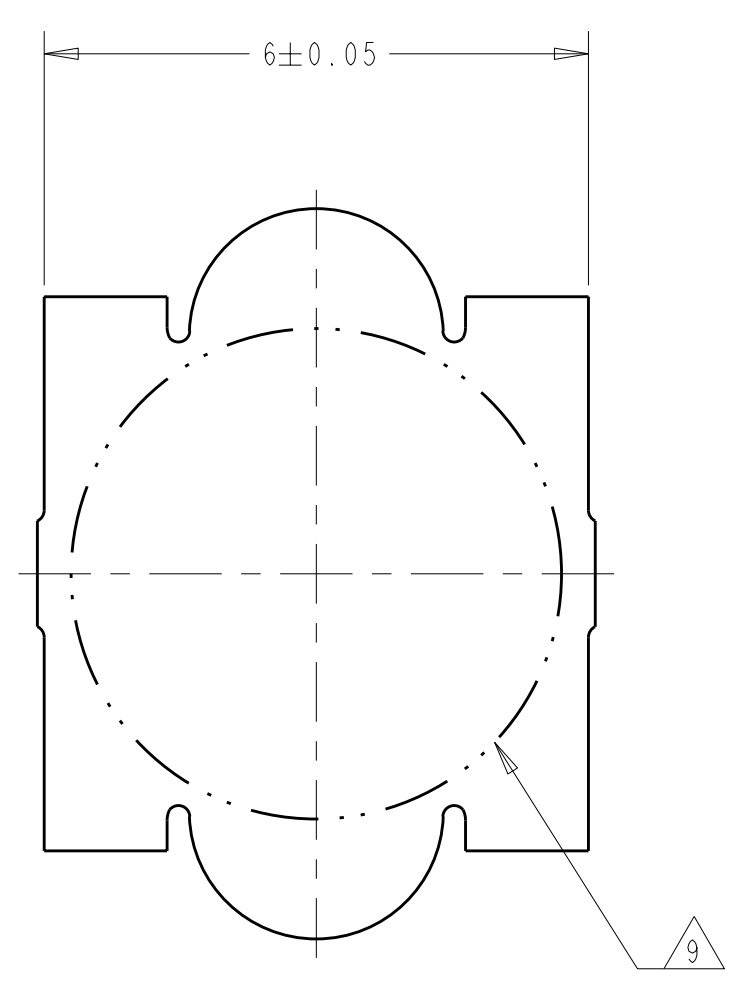
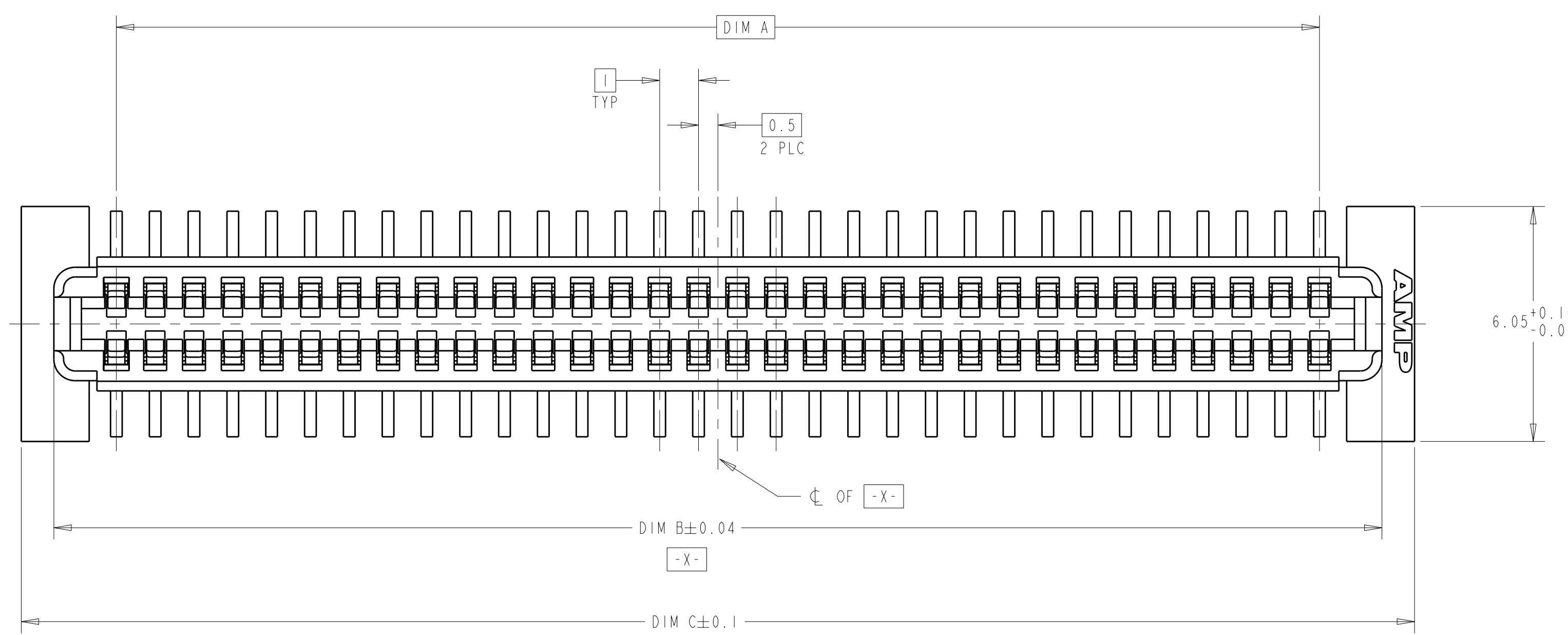
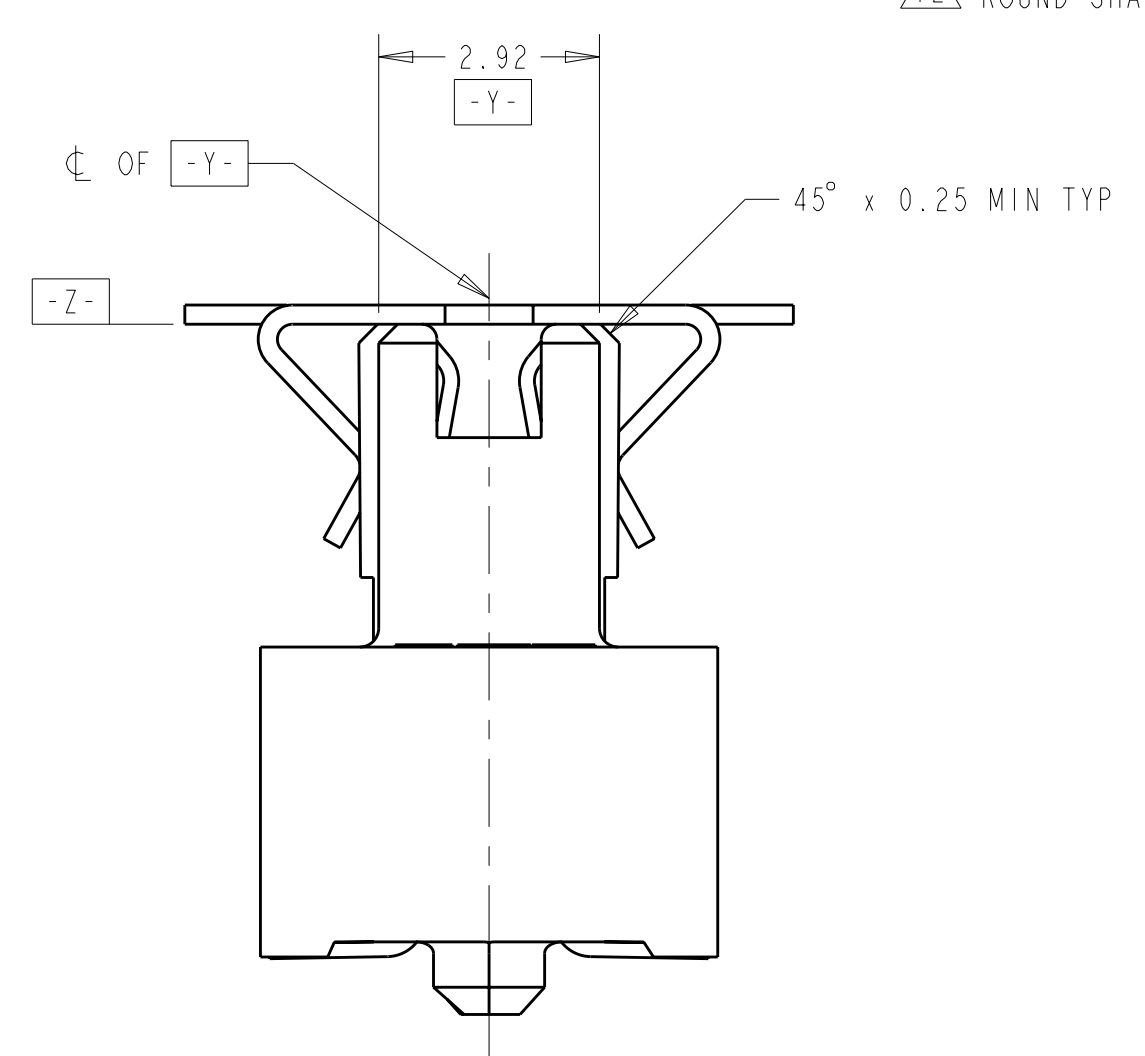
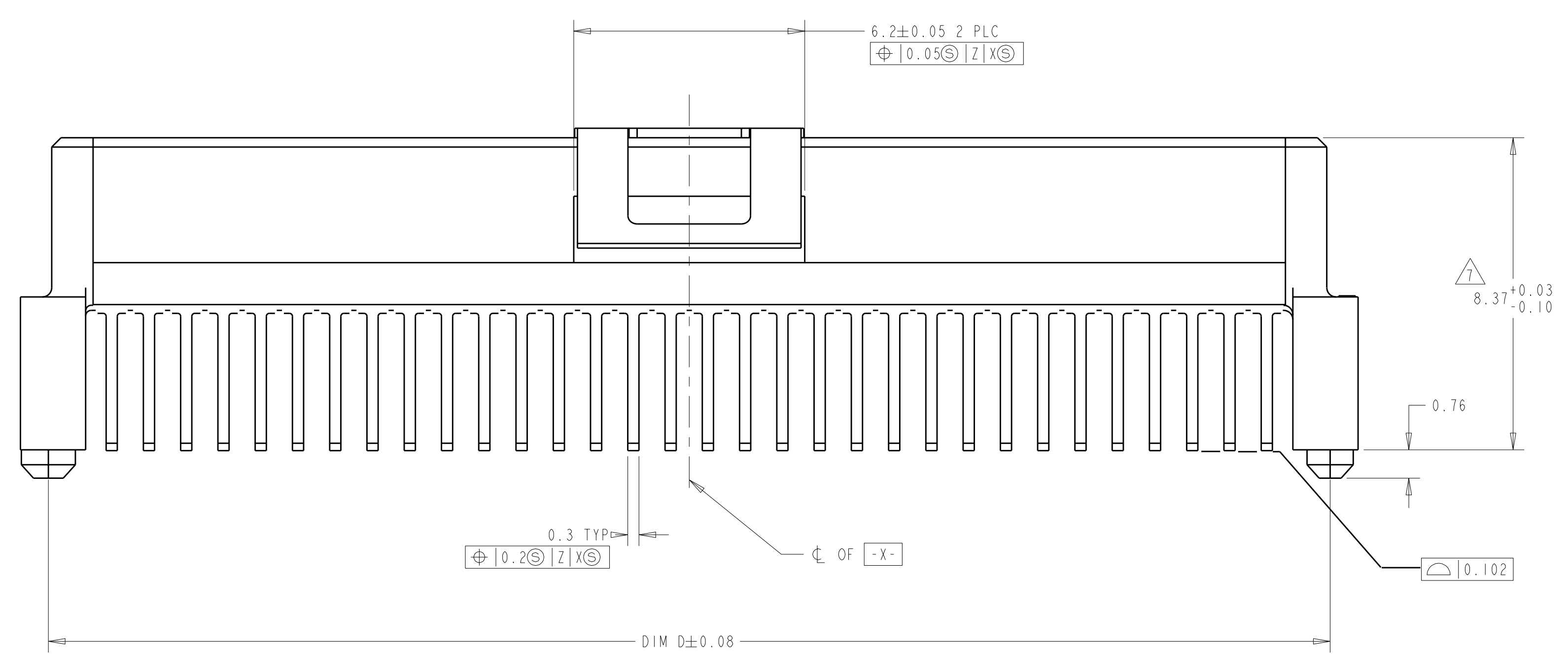


LOC	DIST	REV	DATE	BY	APP'D
AD	00	0	01OCT2004	BC	RW
		A	22JAN2007	BC	DB
		B	10JUL2008	DH	DB
		B1	25AUG2009	AEG	DD

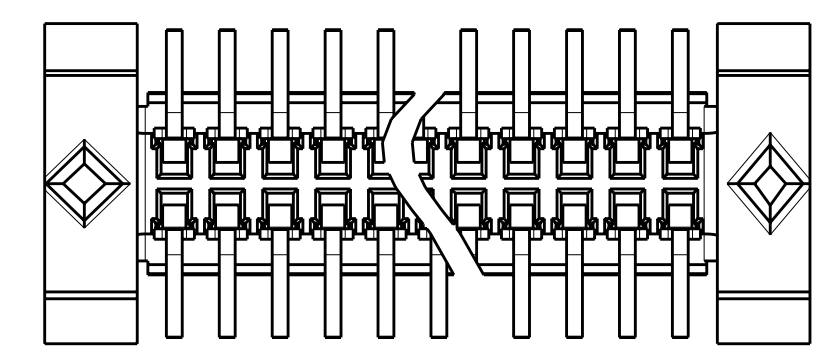


VACUUM COVER

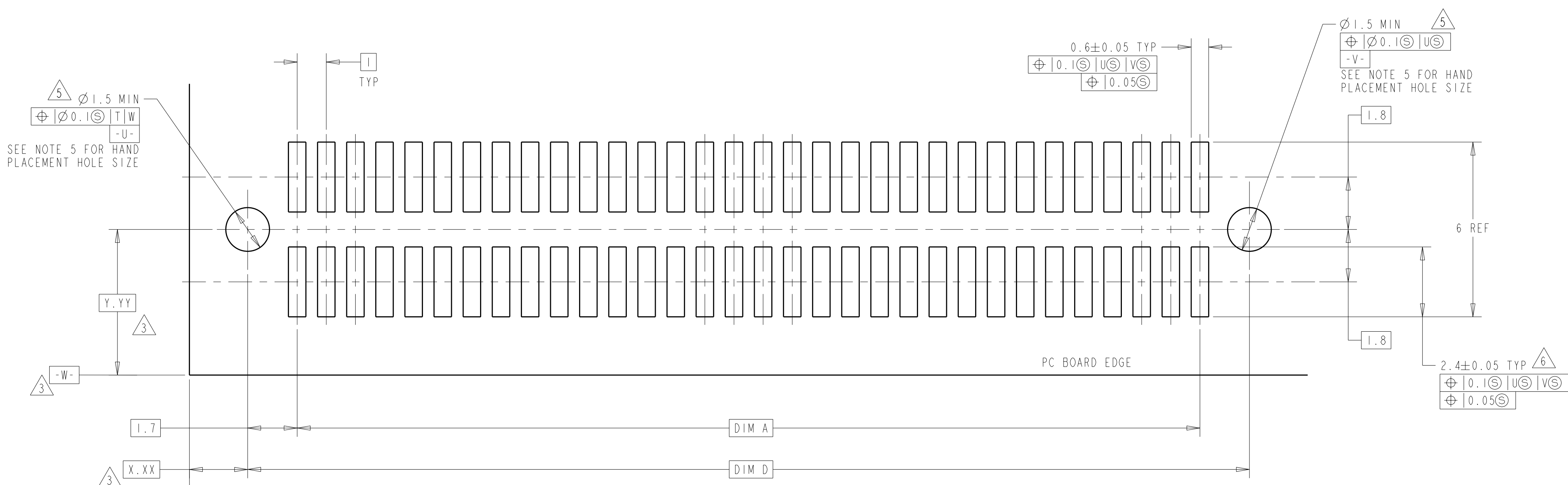
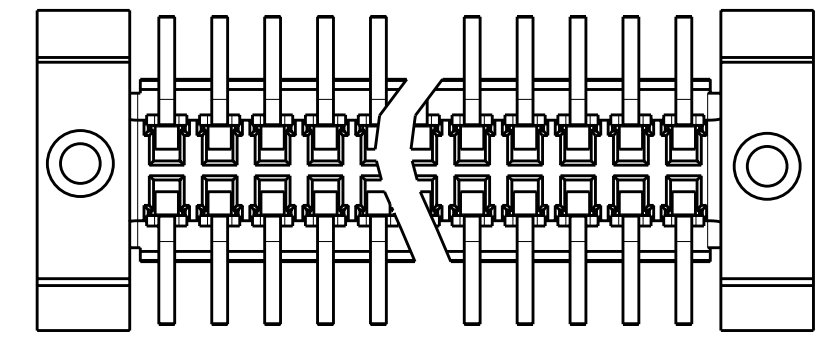
- 1 HOUSING MATERIAL: HIGH TEMPERATURE THERMOPLASTIC, COLOR: BLACK.1
CONTACT MATERIAL: PHOSPHOR BRONZE.
 - 2 CONTACT FINISH: NICKEL UNDERPLATE ALL OVER, MATING SURFACES PLATED TO MEET PLI PERFORMANCE REQUIREMENTS OF INDUSTRY SPECIFICATION EIA-700AAAB, SOLDER TAILS PLATED TIN.
 - 3 DATUM LOCATIONS AND BASIC DIMENSIONS TO BE ESTABLISHED BY THE CUSTOMER. CONSULT AMP ENGINEERING WHEN PLACING MULTIPLE CONNECTORS ON A PC BOARD.
 - 4 PACKAGED IN TAPE ON REEL PER EIA-481.
 - 5 1.4±0.05 DIAMETER HOLE WHEN PLACING BY HAND.
 - 6 SHORTER SOLDER LANDS MAY BE USED PER EIA 700AAAB, HOWEVER 2.4 LENGTH ASSURES OPTIMUM SOLDER FILLET REGARDLESS OF MANUFACTURER OF CONNECTOR.
 - 7 REFERRED TO AS DIM H = 8.3±0.1 IN EIA 700AAAB SPECIFICATION.
 - 8 VACUUM COVER NOT SHOWN IN SOME VIEWS FOR CLARITY.
 - 9 5.5 MIN DIAMETER TARGET AREA FOR VACUUM PICK-UP.
 - 10 CONTACT FINISH: 0.00381 MINIMUM MATTE TIN PER ASTM B 545 ON SOLDER AREA. 0.00127 MINIMUM GOLD PER ASTM B 488 ON MATING AREA. BOTH OVER 0.00127 MINIMUM NICKEL PER SAE-AMS-00-N-290 ON ENTIRE CONTACT.
- ▲1 SQUARE AND DIAMOND SHAPED POSTS
 ▲2 ROUND SHAPED POSTS



▲1 STYLE A POSTS



▲2 STYLE B POSTS



RECOMMENDED PC BOARD LAYOUT

POST STYLE	FINISH	DIM D	DIM C	DIM B	DIM A	STACK HEIGHTS	POS	PART NUMBER
▲10	▲10	44.4	45.9	44.22	41	13	84	3-5146895-2
▲12	▲10	34.4	35.9	34.22	31	13	64	3-5146895-1
▲12	▲2	44.4	45.9	44.22	41	13	84	2-5146895-2
▲12	▲2	34.4	35.9	34.22	31	13	64	2-5146895-1
▲11	▲10	44.4	45.9	44.22	41	13	84	1-5146895-2
▲11	▲10	34.4	35.9	34.22	31	13	64	1-5146895-1
▲11	▲2	44.4	45.9	44.22	41	13	84	5146895-2
▲11	▲2	34.4	35.9	34.22	31	13	64	5146895-1

DIMENSIONS: mm TOLERANCES UNLESS OTHERWISE SPECIFIED: 9 PLC ± 5 PLC ±0.03 4 PLC ±0.003 ANGLES ±0°30'		DWN: B. CARBO CHK: R. WERTZ APP'D: R. WERTZ PRODUCT SPEC: 502-1079 APPLICATION SPEC: 114-25045 WEIGHT: - CUSTOMER DRAWING		DATE: 01OCT04 DATE: 01OCT04 DATE: 01OCT04 SCALE: 10:1 SHEET: 1 OF 1 REV: B1	
MATERIAL: SEE TABLE		Tyco Electronics Corporation Harrisburg, PA 17105-3608		NAME: RECEPTACLE ASSY, W/ VACUUM COVER, 1.0mm FH (IEEE 1386) CONNECTOR SIZE: A1 CAGE CODE: 00779 DRAWING NO: C=5146895	