

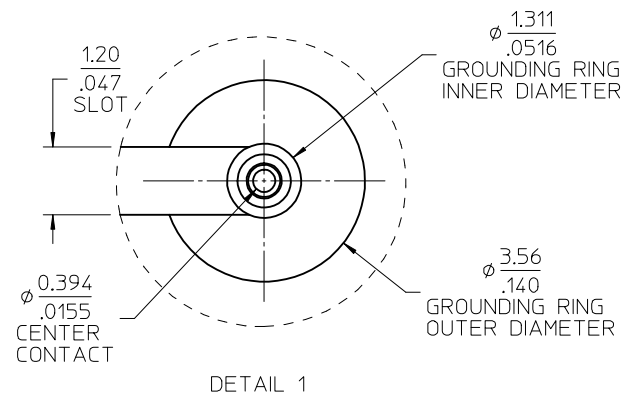
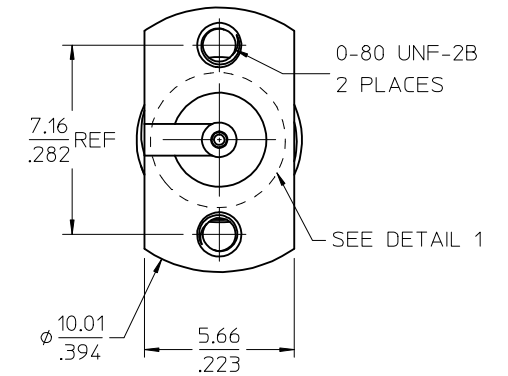
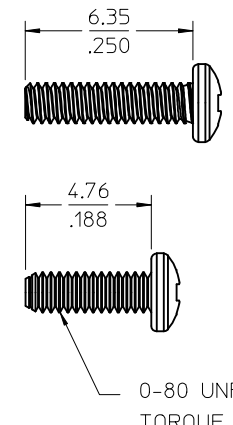
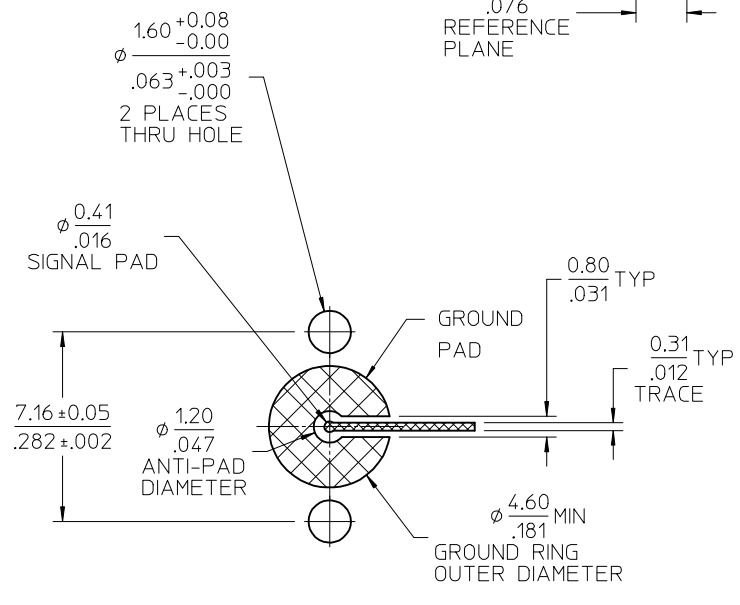
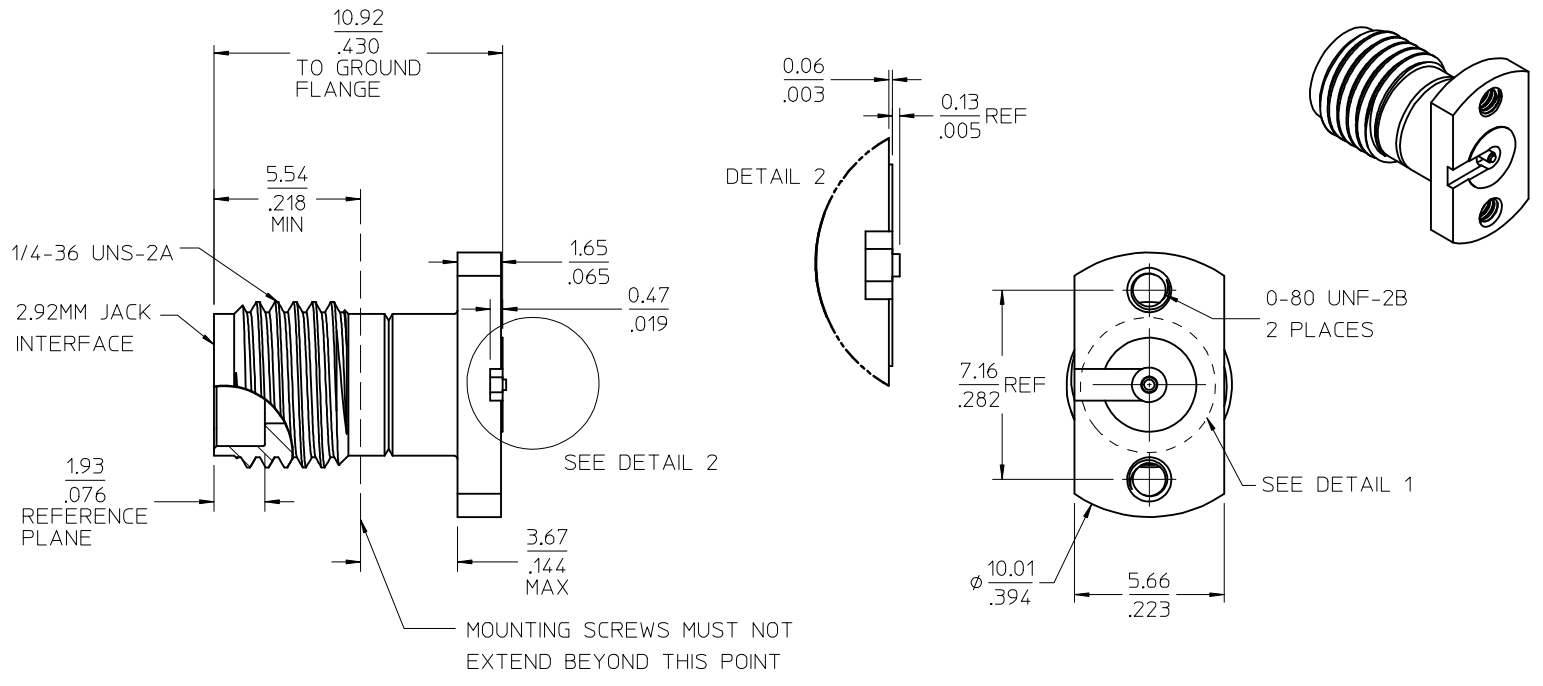
MATERIALS AND FINISHES:

BODY: STAINLESS STEEL
PASSIVATED

CENTER CONTACT: BERYLLIUM COPPER
PLATED: GOLD (30μ-in) MIN
OVER NICKEL (100μ-in) MIN.

INSULATOR: PTFE

SCREW: STEEL
PASSIVATE



GENERAL PCB LAYOUT WITH TOP LAYER MICROSTRIP SIGNAL TRACE.
SET TRACE WIDTH FOR DESIRED IMPEDANCE.
FOR OPTIMIZED LAYOUTS CONTACT MOLEX ENGINEERING.

NOTE:
PATENT PENDING

73252-0162	WITH TWO 6.35/.25 SCREWS	1.78(.070) TO 3.94(.155)
73252-0161	WITH TWO 4.76/.19 SCREWS	0.76(.030) TO 2.44(.096)
73252-0160	NO SCREWS	N/A
PART NO.	DESCRIPTION	PCB THICKNESS MM (IN)

CHG: UPD DRW VIEWS TO REFLECT ASM MODIFICATIONS: DRWN:APRAKASHU1 2015/11/03 CHKD:LLM 2015/11/03 APPR:ARBERTSON 2015/11/09	QUALITY SYMBOLS
	▽=0 ▽=0
REV	DESCRIPTION
A2	

GENERAL TOLERANCES (UNLESS SPECIFIED)										
<table border="1"> <tr> <th>mm</th> <th>INCH</th> </tr> <tr> <td>4 PLACES ± .010</td> <td>± .0004</td> </tr> <tr> <td>3 PLACES ± .015</td> <td>± .0006</td> </tr> <tr> <td>2 PLACES ± .025</td> <td>± .0010</td> </tr> <tr> <td>1 PLACE ± .050</td> <td>± .0020</td> </tr> </table>	mm	INCH	4 PLACES ± .010	± .0004	3 PLACES ± .015	± .0006	2 PLACES ± .025	± .0010	1 PLACE ± .050	± .0020
mm	INCH									
4 PLACES ± .010	± .0004									
3 PLACES ± .015	± .0006									
2 PLACES ± .025	± .0010									
1 PLACE ± .050	± .0020									
ANGULAR ± 2°										
DRAFT WHERE APPLICABLE MUST REMAIN WITHIN DIMENSIONS										

DIMENSION STYLE	MM/IN
DRAWN BY	JLEE02
DATE	2013/10/14
CHECKED BY	SSS
DATE	2013/10/14
APPROVED BY	JWIENER
DATE	2013/10/29
MATERIAL NO.	SEE TABLE
SIZE	C

SCALE	DESIGN UNITS	THIRD ANGLE PROJECTION
	METRIC	
TITLE		
2.92MM PCB J WITH SLOT COMPRESSION CONNECTOR EWR-5248, 2.92/JR/F		
MOLEX INCORPORATED		
DOCUMENT NO.	SD-73252-016	SHEET NO.
		1 OF 1
THIS DRAWING CONTAINS INFORMATION THAT IS PROPRIETARY TO MOLEX INCORPORATED AND SHOULD NOT BE USED WITHOUT WRITTEN PERMISSION		