

4

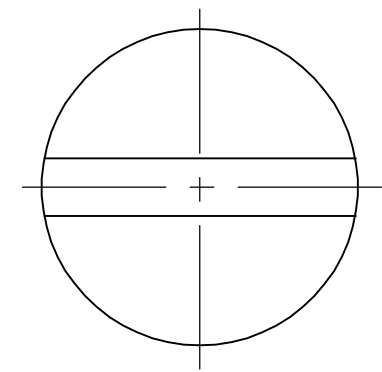
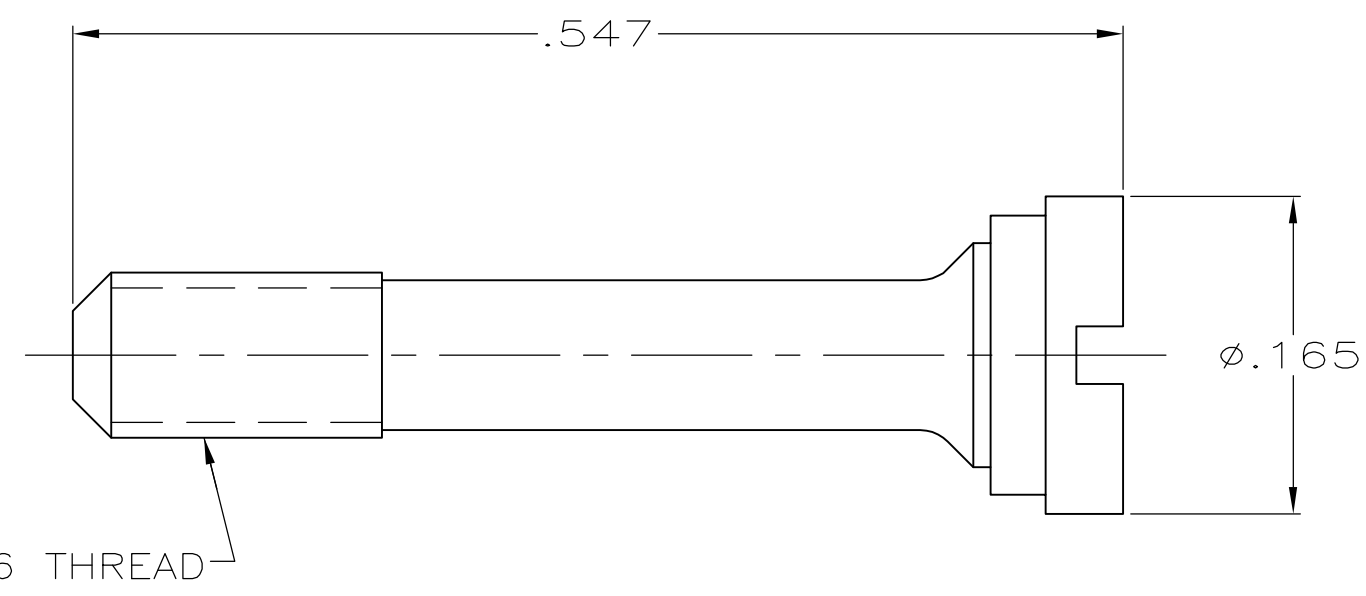
3

2

1

THIS DRAWING IS UNPUBLISHED. RELEASED FOR PUBLICATION
 © COPYRIGHT - BY TYCO ELECTRONICS CORPORATION. ALL RIGHTS RESERVED.

LOC	DIST	REVISIONS					
GP	00	P	LTR	DESCRIPTION	DATE	DWN	APVD
			0	RELEASED PER EC 0S13-0207-05	27JUN05	RR	JG



1 ZINC PLATED .000200-.000400 THICK,
 CLEAR CHROMATE COATING.

1	5745579-3
FINISH	PART NO

THIS DRAWING IS A CONTROLLED DOCUMENT.		DWN	R.RICHARDSON	26JUN05	Tyco Electronics Corporation Harrisburg, Pa 17105-3608								
DIMENSIONS: INCHES		CHK	C.ROHDE	27JUN05									
		TOLERANCES UNLESS OTHERWISE SPECIFIED:		APVD	M.WALMSLEY	27JUN05	NAME	SLIDELATCH SCREW, #2-56, AMPLIMITE					
MATERIAL		FINISH		PRODUCT SPEC		APPLICATION SPEC		SIZE	CAGE CODE	DRAWING NO	RESTRICTED TO		
COLD ROLLED STEEL		SEE TABLE		-		-		A3	00779	C-5745579	-		
CUSTOMER DRAWING								SCALE	10:1	SHEET	1 OF 1	REV	0