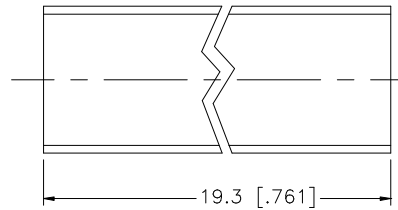
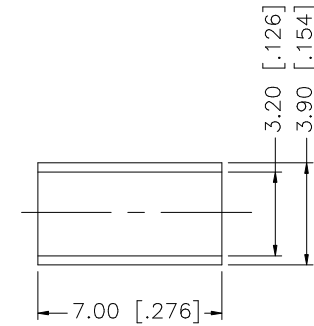
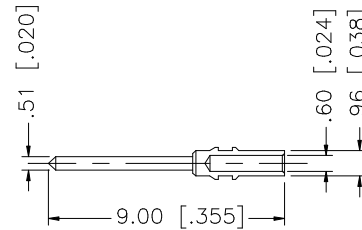
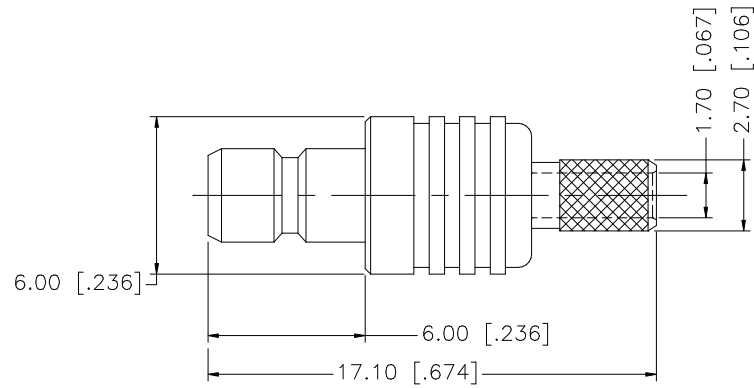
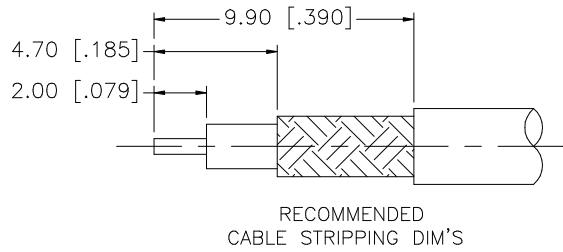


REV.	DATE	DESCRIPTION
A	02/09/06	UPDATE DRAWING FORMAT
B	05/08/07	REVISE BARREL, FERRULE DIMENSIONS, ADD CRIMP NOTES



- NOTE:
1. CRIMPED FERRULE HEX CRIMP SIZE .128"
  2. CRIMPED CONTACT PIN SQ. CRIMP SIZE 0.7mm

DESCRIPTION	MATERIAL	FINISH	QTY	UNLESS OTHERWISE SPECIFIED DIMENSIONS ARE IN MILLIMETERS. DIMENSIONS IN [ ] ARE IN INCHES AND FOR CUSTOMER REFERENCE ONLY.	APPROVALS	DATE	PART DESCRIPTION										
8				UNLESS OTHERWISE SPECIFIED TOLERANCES FOR MILLIMETERS ARE: 0.5 - 8mm ± 0.20mm 8 - 30mm ± 0.40mm 30 - 120mm ± 0.50mm  UNLESS OTHERWISE SPECIFIED TOLERANCES FOR INCHES ARE: .020 - .315 = ± 0.007" .315 - 1.180 = ± 0.015" 1.180 - 4.724 = ± 0.020"  DO NOT SCALE DRAWING	DRAWN	G.R.S.	05/08/07	<h1 style="text-align: center; color: blue;">Amphenol Connex</h1> <p style="text-align: center;">SMB MINI CRIMP JACK - 75ohm (FOR 179/U CABLE)</p>									
7					CHECKED												
6					ISSUED												
5	HEAT SHRINK TUBE		1			SHEET	1 OF 1	PART NO. 142181-75									
4	FERRULE	COPPER	NICKEL		1	CAD FILE C:/142/142181-75.DWG		DWG. NO.	142181-75.DWG	REV.	B	SIZE	A	SCALE	NA		
3	CONTACT PIN	BRASS	GOLD	1													
2	INSULATOR	TEFLON	NATURAL	1													
1	BODY	BRASS	NICKEL	1													