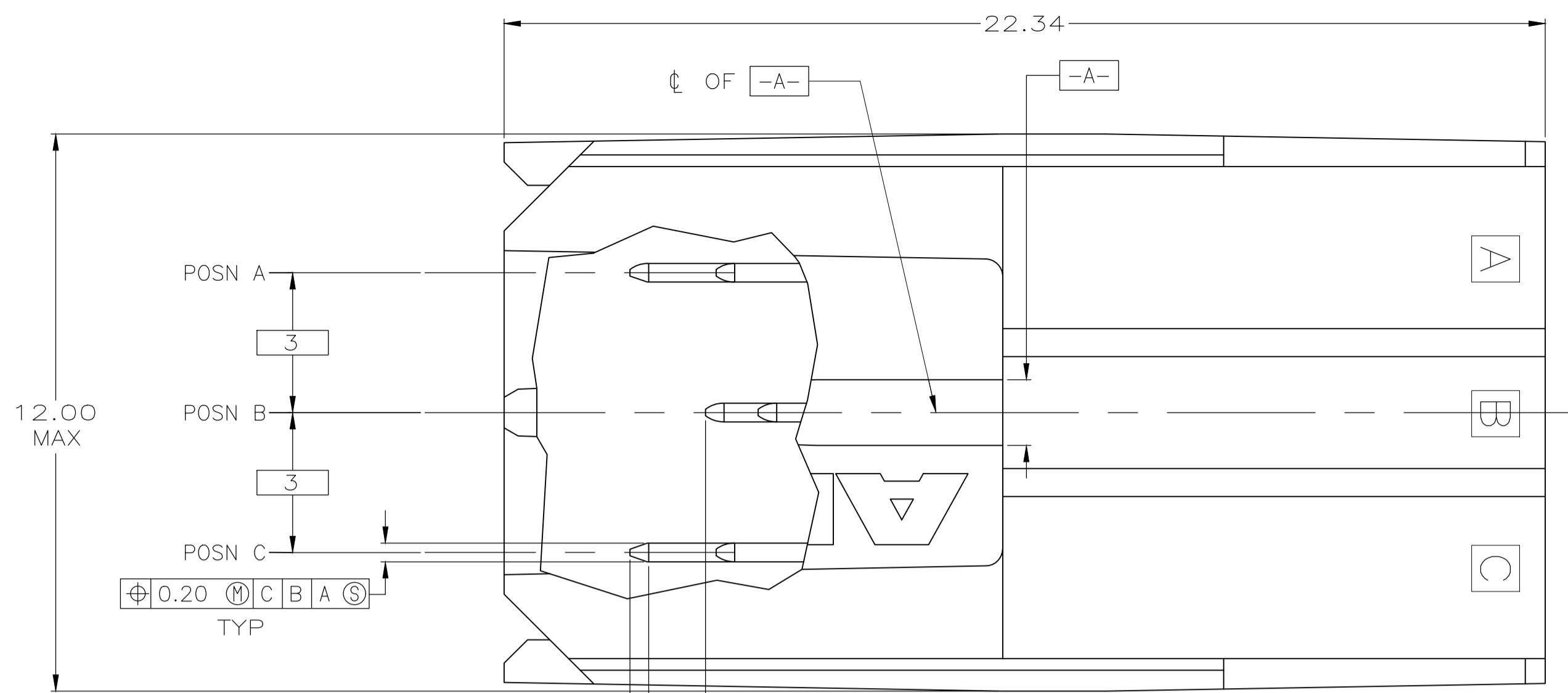
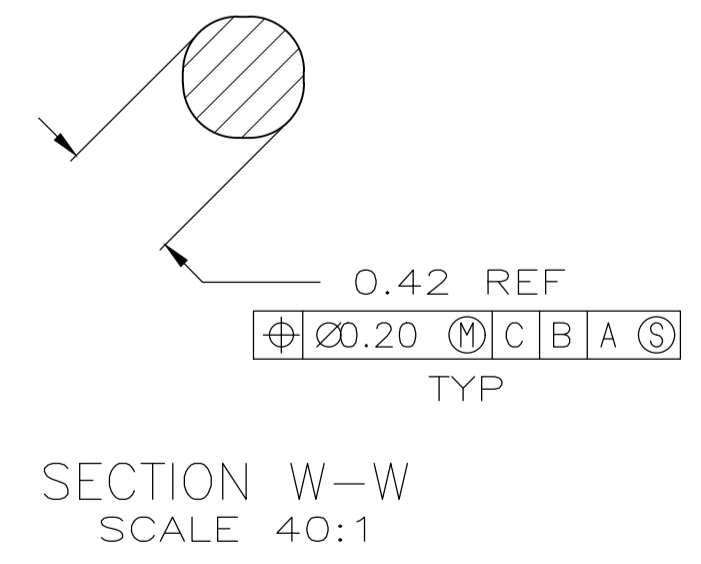
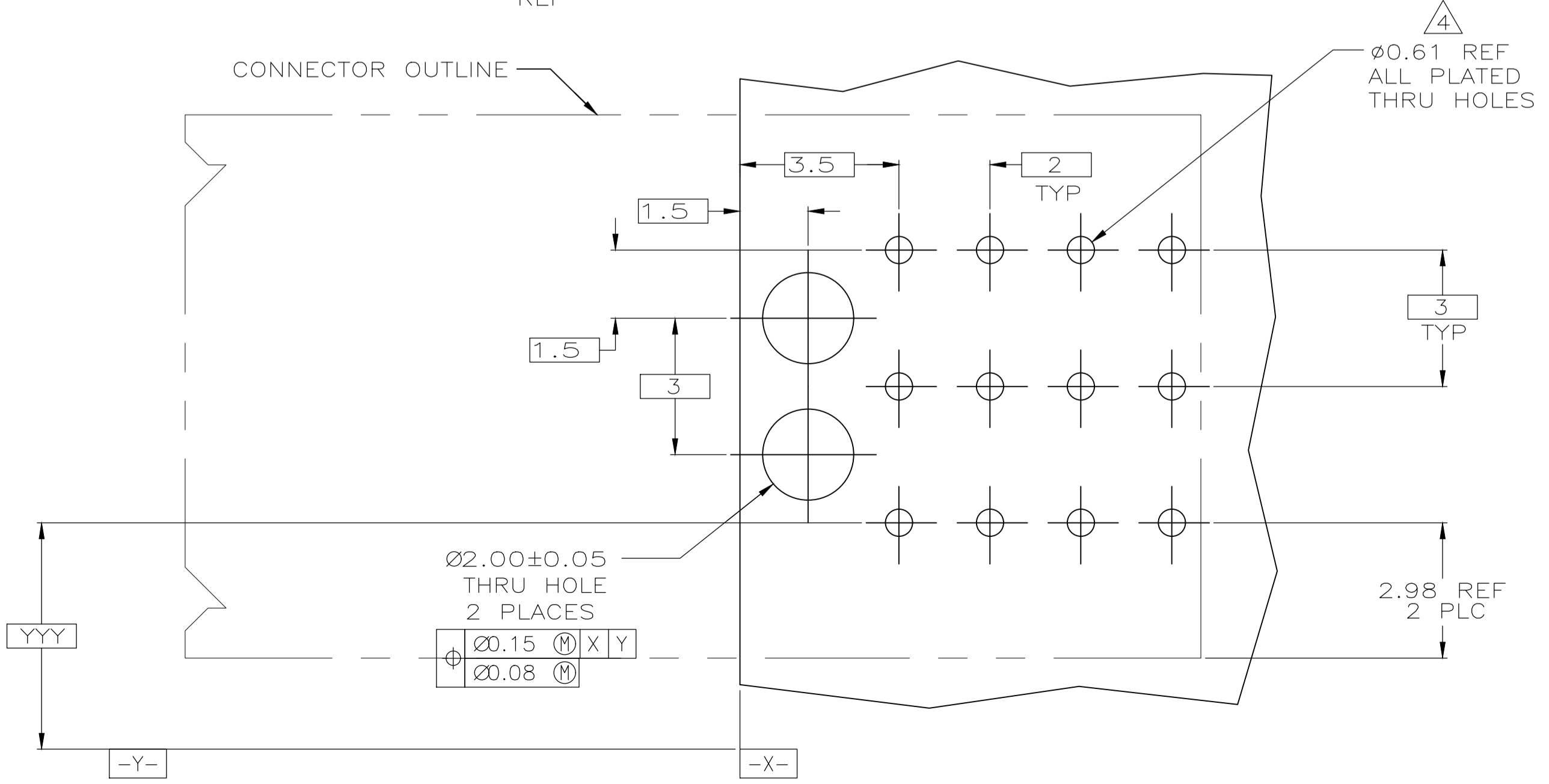
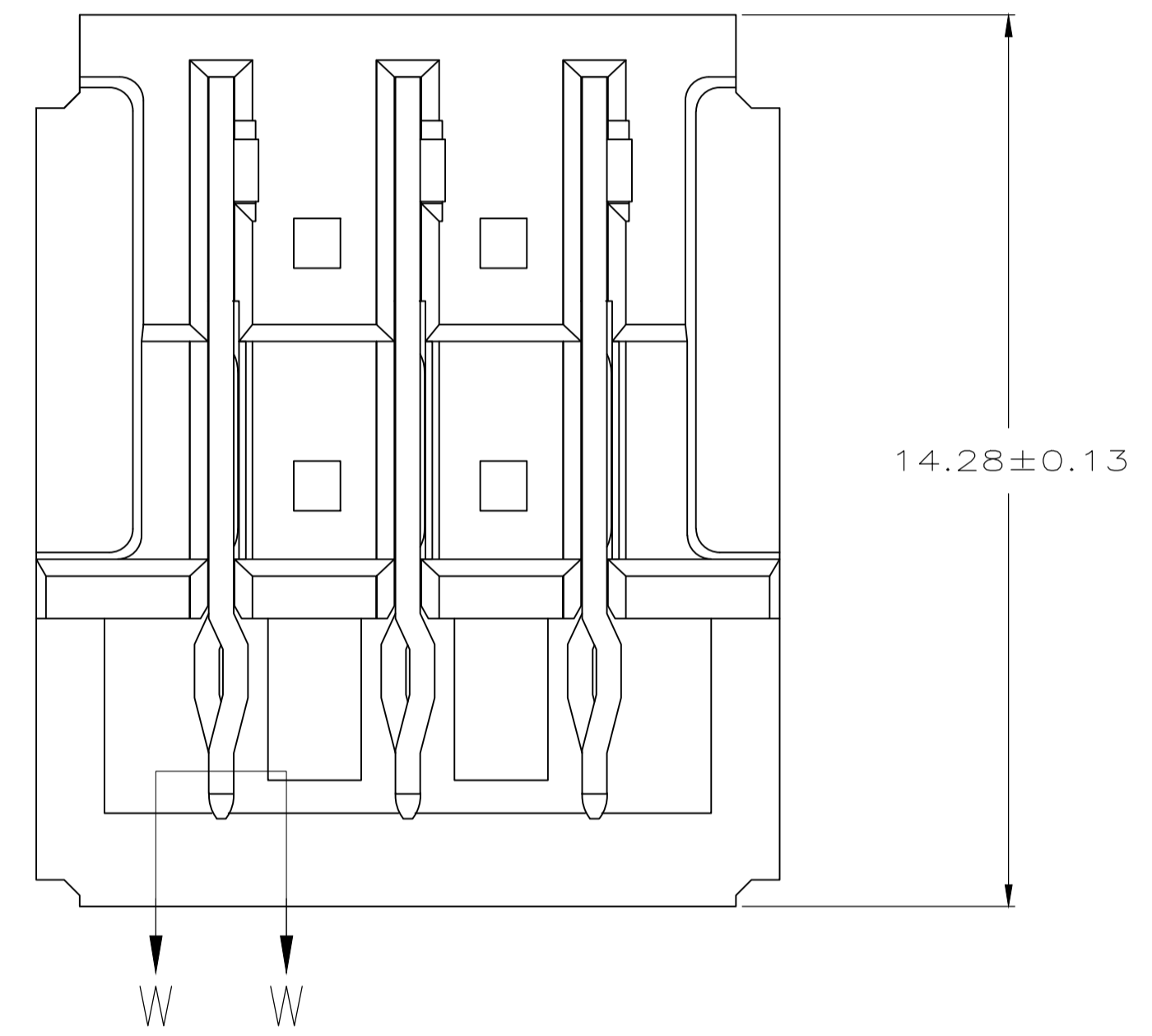
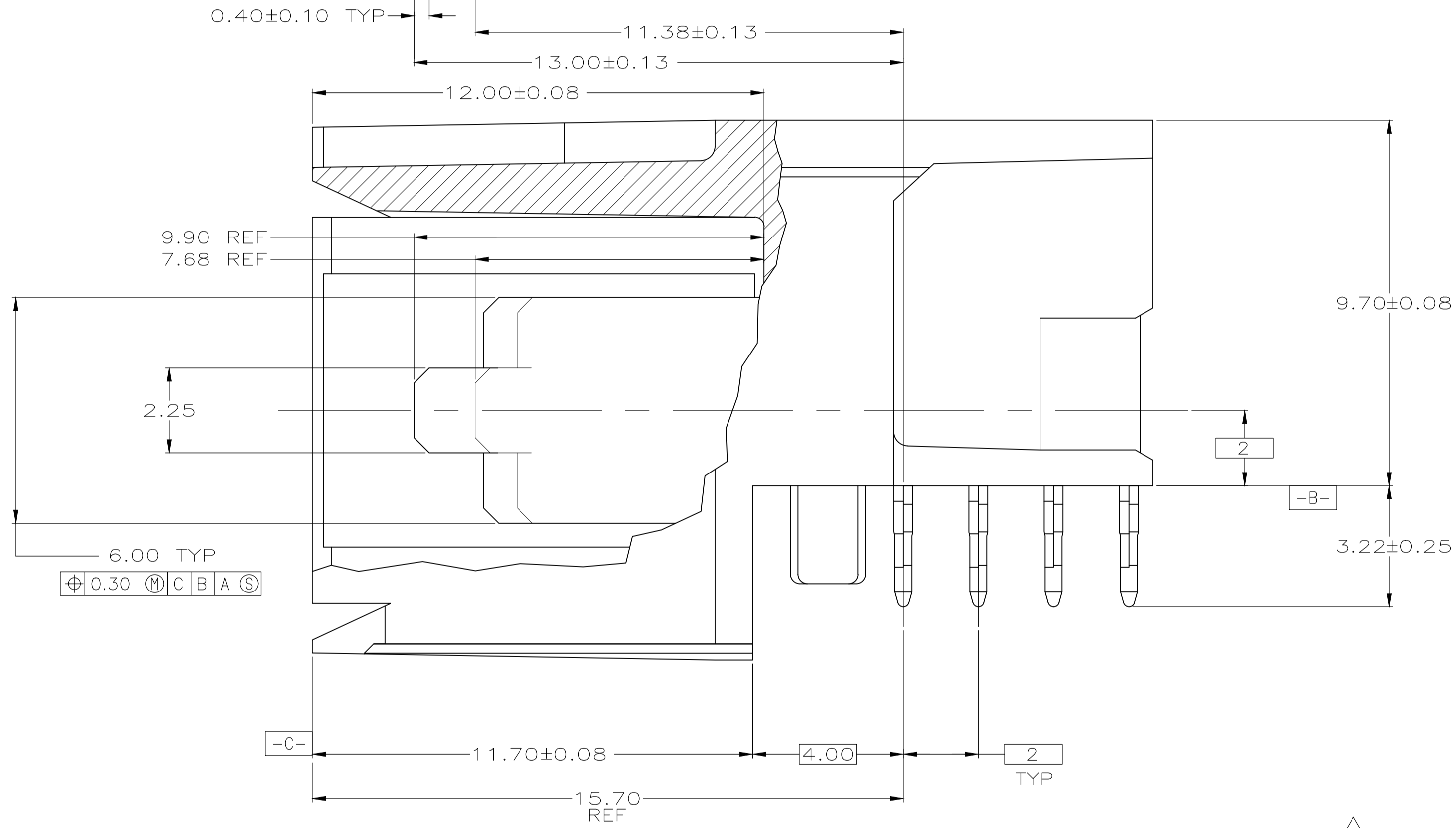
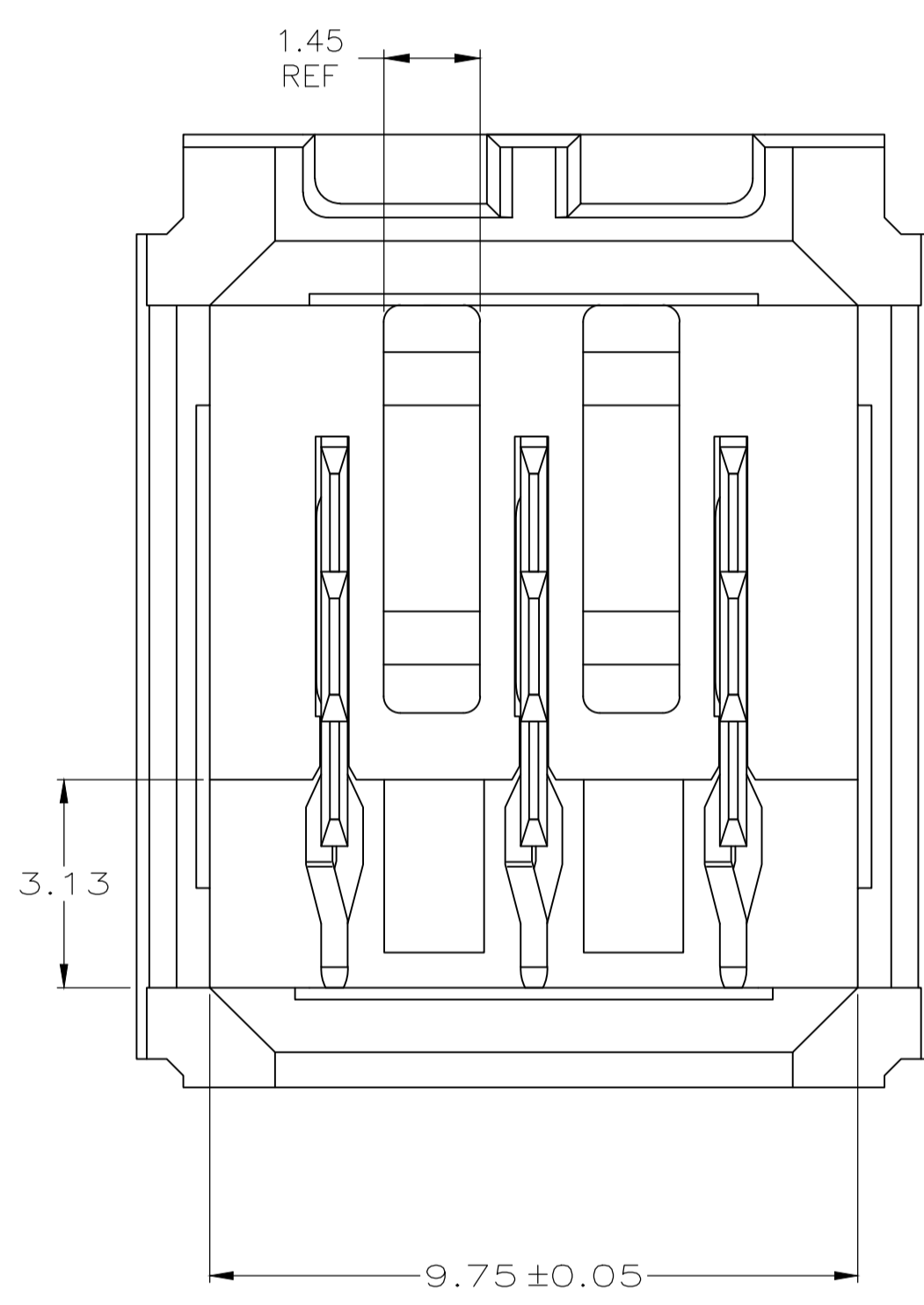


REVISIONS				
P	LTR	DESCRIPTION	DATE	APP'D
C1	REV PER ECO-20-004668		08JUN2020	ML SZ



- 1 MATERIAL: HOUSING: POLYESTER. COLOR: GRAY. UL 94V-0. CONTACT: PHOSPHOR BRONZE.
- 2 FINISH: IN ACCORDANCE WITH PRODUCT SPECIFICATION 108-1651, GOLD PLATING OR EQUIVALENT PLATING ON PRODUCT CONTACT MATING AREA, AND MATTE TIN PLATING ON COMPLIANT PIN AREA, ALL OVER MATTE NICKEL UNDERPLATED. DETAIL PLEASE REFER TO PRODUCT SPECIFICATION 108-1651.
- 3 FINISH: CONTACT LUBRICATION WITH BELLCORE APPROVED LUBRICANT. TECHNICAL REFERENCE: TR-NWT-001217 ISSUE 1, SEPT 1992.
- 4 REFERENCE APPLICATION SPEC 114-1103 FOR RECOMMENDED PLATED THRU HOLE DIAMETER AND PLATING THICKNESS.
- 5 CURRENT RATING 10A/CONTACT PER PRODUCT SPEC 108-1651.



RECOMMENDED PCB HOLE LAYOUT

5223965-1
PART NUMBER

THIS DRAWING IS A CONTROLLED DOCUMENT.		DIN B CARBO 10DEC04	TE Connectivity	
DIMENSIONS: mm		CHK R PATTERSON 10DEC04	NAME R PATTERSON 10DEC04	
TOLERANCES UNLESS OTHERWISE SPECIFIED:		PRODUCT SPEC 108-1651		
0 PLC ± -		APPLICATION SPEC 114-1103		
1 PLC ± 0.13		SIZE A1		
2 PLC ± -		CAGE CODE DRAWING NO 00779		
3 PLC ± -		C=5223965		
4 PLC ± -		RESTRICTED TO		
ANGLES ± -		WEIGHT 0.000000		
MATERIAL 1		CUSTOMER DRAWING		
FINISH 2 3		SCALE 10:1 SHEET 1 OF 1 REV C1		