

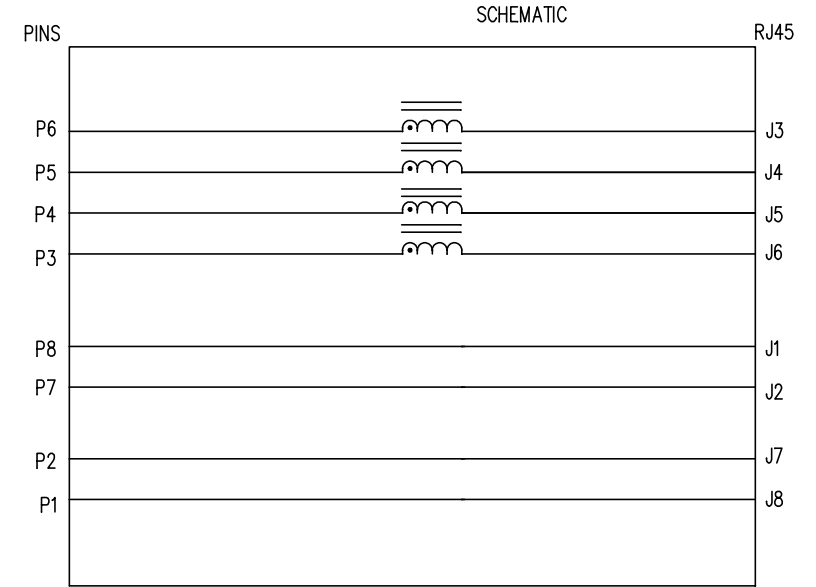
THE INFORMATION CONTAINED HEREIN IS CONSIDERED "PROPRIETARY" TO BEL FUSE INC. AND SHALL NOT BE COPIED, REPRODUCED OR DISCLOSED WITHOUT THE WRITTEN APPROVAL OF BEL FUSE INC.

RoHS



ELECTRICAL SPECIFICATIONS:

- OPERATING TEMPERATURE RANGE: : -40° C TO +85° C
- 1.0 INDUCTANCE: (P6-J3) = (P5-J4) = (P4-J5) = (P3-J6) : 20 uH MIN @1MHz, 20 mV
- 2.0 LEAKAGE INDUCTANCE (P6-J3), SHORT (P5-J4), (P4-J5), (P3-J6) : 0.20 uH MAX @1MHz, 20 mV
(P5-J4), SHORT (P6-J3), (P4-J5), (P3-J6) : 0.20 uH MAX @1MHz, 20 mV
(P4-J5), SHORT (P6-J3), (P5-J4), (P3-J6) : 0.20 uH MAX @1MHz, 20 mV
(P3-J6), SHORT (P6-J3), (P5-J4), (P4-J5) : 0.20 uH MAX @1MHz, 20 mV
- 3.0 COUPLING CAPACITANCE P3 TO P4 TO P5 TO P6 : 20 pF MAX. @1MHz, 20 mV
SHORT (P6-J3), (P5-J4), (P4-J5), (P3-J6)
- 4.0 DC RESISTANCE (P6-J3) = (P5-J4) = (P4-J5) = (P3-J6) : 0.5 OHM MAX
- 5.0 COMMON MODE ATTENUATION
- | FREQUENCY (MHz) | dB (MIN) |
|-----------------|----------|
| 0.3 | 12 |
| 1 | 19 |
| 10 | 30 |
| 30 | 30 |
| 50 | 35 |
| 100 | 32 |
| 300 | 25 |
| 500 | 18 |
- 6.0 HIPOT : 500 Vrms
(REF. DOC.
HAND -WORK-03)

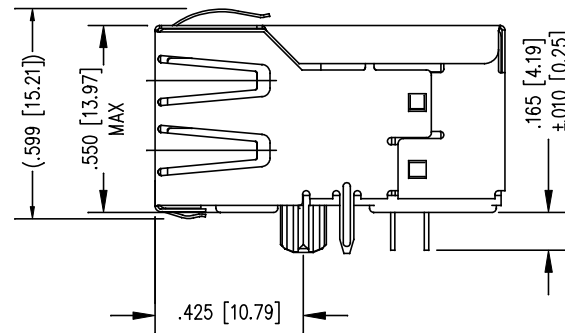
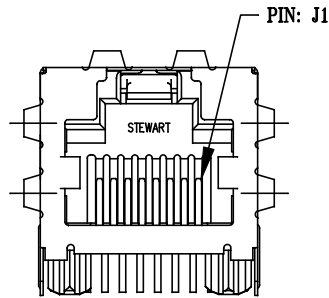
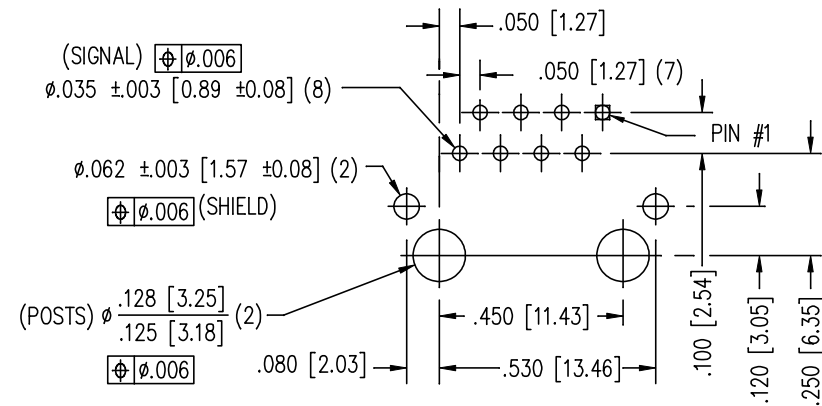
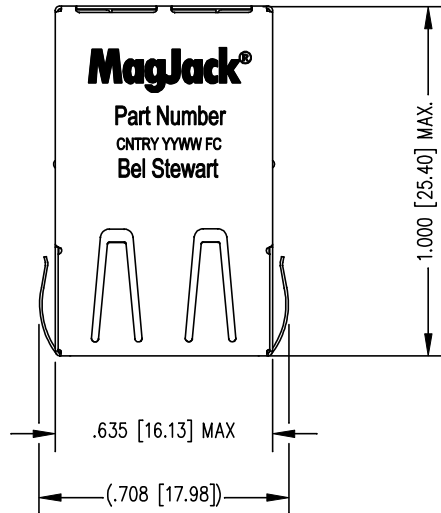


NOTE:
PINS NOT ELECTRICALLY CONNECTED ARE OMITTED.

ORIGINATED BY Bain Liu	DATE 2013-06-26	TITLE MagJack® 10/100BT TAP UP, SHIELDED	PART NO. / DRAWING NO. SI-50223-F		STANDARD DIM. TOL. IN INCH		[] METRIC DIM. AS REFERENCE		bel COMPONENTS FOR A CONNECTED PLANET
			FILE NAME SI-50223-F.DWG		.X		UNIT : INCH [mm]	REV. : A0	
DRAWN BY Duan Jun	DATE 2013-06-26				.XX		SCALE : N/A	SIZE : A4	
					.XXX			PAGE : 2	

THE INFORMATION CONTAINED HEREIN IS CONSIDERED "PROPRIETARY" TO BEL FUSE INC. AND SHALL NOT BE COPIED, REPRODUCED OR DISCLOSED WITHOUT THE WRITTEN APPROVAL OF BEL FUSE INC.

RoHS



NOTES:

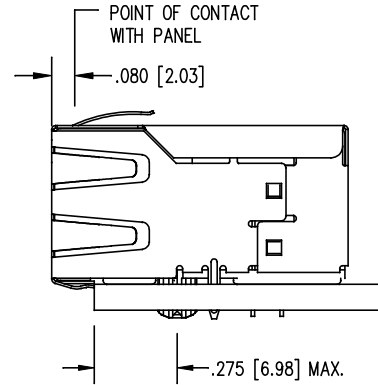
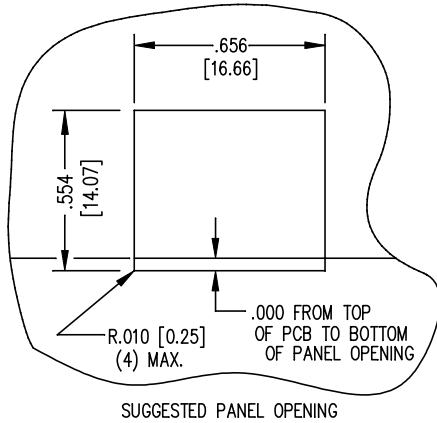
- CONNECTOR MATERIALS:
HOUSING: THERMOPLASTIC UL94 V-0
CONTACT/SHIELD: COPPER ALLOY
SHIELD PLATING: NICKEL OR TIN
CONTACT PLATING: SELECTIVE GOLD, 50 MICRO-INCHES MIN. IN CONTACT AREA.
- PIN NOT ELECTRICALLY CONNECTED MAYBE OMITTED. SEE ELECTRICAL DRAWING FOR OMITTED PINS.
- TOLERANCES COMPLY WITH F.C.C. DIMENSION REQUIREMENTS.
- ALL TOLERANCES NOT OTHERWISE SPECIFIED TO BE $\pm .005$ [0.13]
- WAVE SOLDER COMPATIBLE - PREHEAT 125°C/90SECS.

ORIGINATED BY	DATE	TITLE	PART NO. / DRAWING NO.	STANDARD DIM.	[] METRIC DIM. AS REFERENCE	
Bain Liu	2013-06-26	MagJack® 10/100BT TAP UP, SHIELDED	SI-50223-F	TOL. IN INCH	UNIT : INCH [mm]	REV. : A0
DRAWN BY	DATE		FILE NAME	.X	SCALE : N/A	SIZE : A4
Duan Jun	2013-06-26		SI-50223-F.DWG	.XX		PAGE : 3
				.XXX		



THE INFORMATION CONTAINED HEREIN IS CONSIDERED "PROPRIETARY" TO BEL FUSE INC. AND SHALL NOT BE COPIED, REPRODUCED OR DISCLOSED WITHOUT THE WRITTEN APPROVAL OF BEL FUSE INC.

RoHS



1. THE SUGGESTED PANEL OPENING IS INTENDED TO GIVE THE USER THE ABILITY TO HAVE REASONABLE JACK / PANEL CLEARANCES YET MAINTAIN RELIABLE GROUNDING CAPABILITY.
2. ALL TOLERANCES NOT OTHERWISE SPECIFIED TO BE ± 0.05 [0.13]

ORIGINATED BY	DATE	TITLE	PART NO. / DRAWING NO.	STANDARD DIM.	[] METRIC DIM. AS REFERENCE	
Bain Liu	2013-06-26	MagJack® 10/100BT TAP UP, SHIELDED	SI-50223-F	TOL. IN INCH	UNIT : INCH [mm]	REV. : A0
DRAWN BY	DATE		FILE NAME	.X	SCALE : N/A	SIZE : A4
Duan Jun	2013-06-26		SI-50223-F.DWG	.XX		PAGE : 4
			.XXX			

