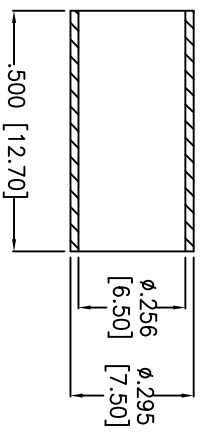
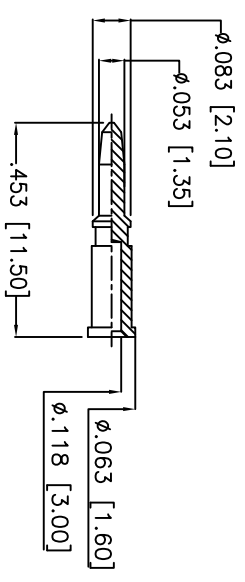
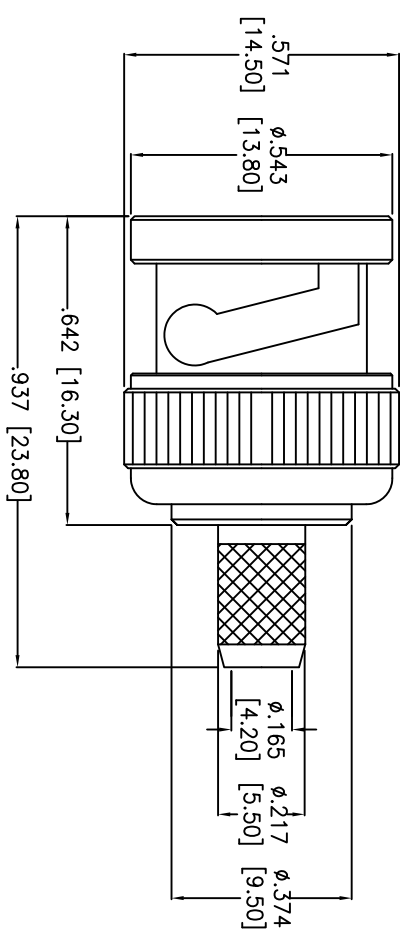


Rev	AWO #	Description	Date	Appr
-		RELEASED	2/12/09	

APPROVED: _____
 DATE: _____ TITLE: _____



NO	DESCRIPTION	MATERIAL	FINISH	QTY
9	GASKET	RUBBER	ORANGE	1
8	RETAINING RING	SK-5	NICKEL	1
7	SPRING	SK-5	NICKEL	1
6	WASHER	IRON	NICKEL	1
5	SHELL	BRASS	NICKEL	1
4	FERRULE	BRASS	NICKEL	1
3	DIELECTRIC	DELIRIN	NONE	1
2	PIN	BRASS	GOLD	1
1	BODY	BRASS	NICKEL	1

SPECIFICATIONS:

Electrical:
 Impedance: 50 ohms
 Frequency range: 0-4 GHz
 Working Voltage: 500 VRMS max.
 Dielectric Withstanding Voltage: 1500 VRMS min.
 Contact Resistance: 3 Milliohms max. (Center Contact)
 2 Milliohms max. (Outer Contact)
 Insulator Resistance: 5000 Megohms min.
 Environmental:
 Lead free, RoHS compliant.



UNLESS OTHERWISE SPECIFIED
 ALL DIMENSIONS ARE INCHES [MM]
 TOLERANCES: EXCEPT AS NOTED
 INCHES: .X ±.10 Ø.X ±.10
 .XX ±.020 Ø.XX ±.015
 .XXX ±.015 Ø.XXX ±.010

APPROVALS	DATE
DRAWN DY	2/12/09
CHECKED CH	2/12/09
APPROVED	

ADAM TECH
 909 Rahway Avenue, Union, NJ 07083
 Phone: 908-687-5000 Fax: 908-687-5710

TITLE	BNC MALE CRIMP FOR H155 LMR240		
SIZE	PART NO.	REV.	
X	RF1-03-D-20-50		
REF:	S0001TT	SCALE:	NTS
		SHEET	1 OF 1