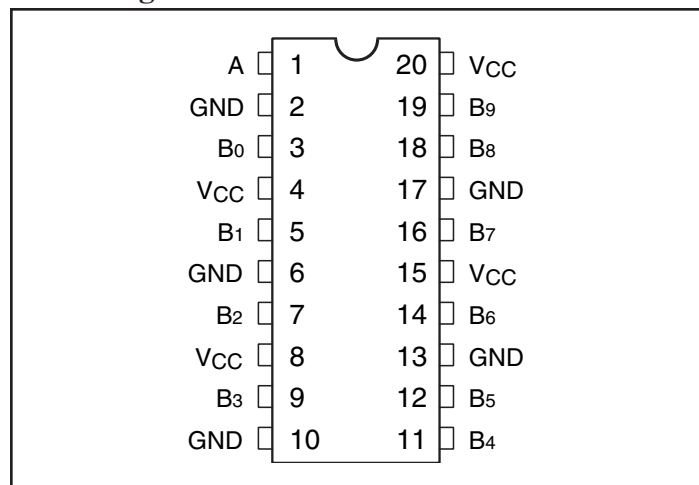


**Features**

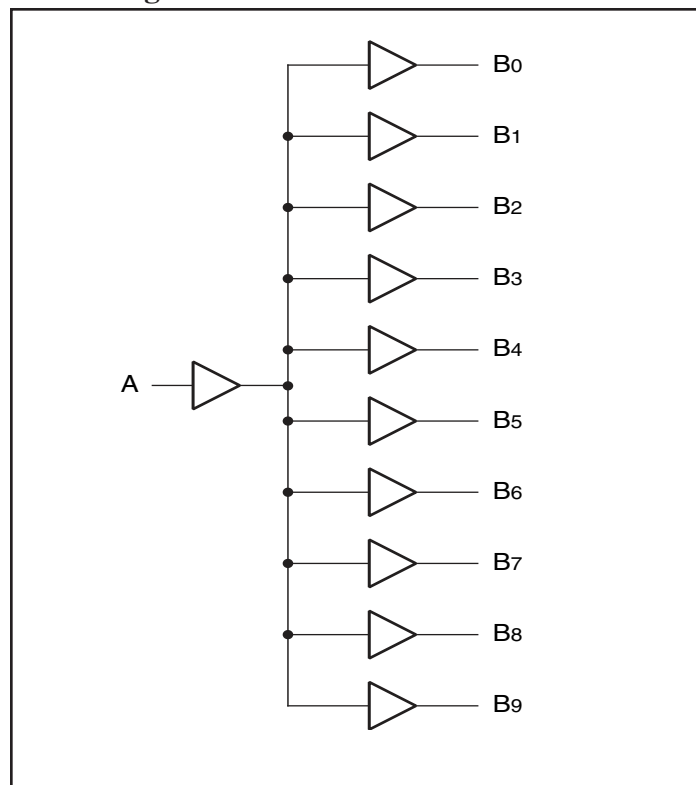
- Guaranteed low skew: 0.25ns
- Low input capacitance
- Minimum duty cycle distortion
- 1:10 fanout
- High speed: 3.5ns propagation delay
- TTL input and CMOS output compatible
  - $V_{OH} = 3.3V$  (typ.)
  - $V_{OL} = 0.3V$  (typ.)
- Industrial Operation at  $-40^{\circ}C$  to  $+85^{\circ}C$
- Packaging (Pb-free & Green available):
  - 20-pin 150-mil wide QSOP (Q)
  - 20-pin 300-mil SOIC (S)

**Description**

Pericom Semiconductor's PI49FCT807T clock driver feature one input and ten outputs. The large fanout from a single input line reduces loading on input clock. TTL level outputs reduce noise levels on the part. Typical applications are clock and signal distribution.

**Pin Configuration**

**Pin Description**

| Pin Name | Description |
|----------|-------------|
| A        | Input       |
| B0 - B9  | Outputs     |
| GND      | Ground      |
| VCC      | Power       |

**Block Diagram**


### Maximum Ratings

(Above which the useful life may be impaired. For user guidelines, not tested.)

|   |                 |
|---|-----------------|
| Storage Temperature .....   | -65°C to +150°C |
| Ambient Temperature with Power Applied .....                          | -40°C to +85°C  |
| Supply Voltage to Ground Potential (Inputs & V <sub>CC</sub> Only)... | -0.5V to +7.0V  |
| Supply Voltage to Ground Potential (Outputs & D/O Only)               | -0.5V to +7.0V  |
| DC Input Voltage .....  | -0.5V to +7.0V  |
| DC Output Current.....  | 120mA           |
| Power Dissipation .....   | 0.5W            |

**Note:**

Stresses greater than those listed under MAXIMUM RATINGS may cause permanent damage to the device. This is a stress rating only and functional operation of the device at these or any other conditions above those indicated in the operational sections of this specification is not implied. Exposure to absolute maximum rating conditions for extended periods may affect reliability.

### DC Electrical Characteristics (Over the Operating Range, T<sub>A</sub> = 40°C to +85°C, V<sub>CC</sub> = 5.0V ±5%)

| Parameters       | Description           | Test Conditions <sup>(1)</sup>  | Min                       | Typ <sup>(2)</sup> | Max  | Units |    |
|------------------|-----------------------|---|---------------------------|--------------------|------|-------|----|
| V <sub>OH</sub>  | Output HIGH Voltage   | V <sub>CC</sub> =Min., V <sub>IN</sub> = V <sub>IH</sub> or V <sub>IL</sub> | I <sub>OH</sub> = -15.0mA | 2.4                | 3.3  | V     |    |
| V <sub>OL</sub>  | Output LOW Current    | V <sub>CC</sub> =Min., V <sub>IN</sub> = V <sub>IH</sub> or V <sub>IL</sub> | I <sub>OL</sub> = 48.0mA  |                    | 0.2  | 0.5   | V  |
|                  |                       |   | I <sub>OL</sub> = 12mA    |                    |      | 0.2   | V  |
| V <sub>IH</sub>  | Input HIGH Voltage    | Guaranteed Logic HIGH Level   |                           | 2.0                |      | V     |    |
| V <sub>IL</sub>  | Input LOW Voltage     | Guaranteed Logic LOW Level  |                           |                    |      | 0.8   | V  |
| I <sub>IH</sub>  | Input HIGH Current    | V <sub>CC</sub> = Max.  | V <sub>IN</sub> = 2.7V    |                    |      | 1     | μA |
| I <sub>IL</sub>  | Input LOW Current     | V <sub>CC</sub> = Max.  | V <sub>IN</sub> = 0.5V    |                    |      | -1    | μA |
| I <sub>I</sub>   | Input HIGH Current    | V <sub>CC</sub> = Max., V <sub>IN</sub> = V <sub>CC</sub> (Max.)            |                           |                    |      | 20    | μA |
| V <sub>IK</sub>  | Clamp Diode Voltage   | V <sub>CC</sub> = Min., I <sub>IN</sub> = -18mA                             |                           | -60                | -0.7 | -1.2  | V  |
| I <sub>OS</sub>  | Short Circuit Current | V <sub>CC</sub> = Max. <sup>(3)</sup> , V <sub>OUT</sub> = GND              |                           |                    | -120 |       | mA |
| I <sub>OFF</sub> | Power Down Disable    | V <sub>CC</sub> = GND, V <sub>OUT</sub> = 4.5V                              |                           |                    |      | 100   | μA |
| V <sub>H</sub>   | Input Hysteresis      |   |                           |                    | 150  |       | mV |

### Capacitance (T<sub>A</sub> = 25°C, f = 1 MHz)

| Parameters <sup>(4)</sup> | Description        | Test Conditions       | Typ | Max | Units |
|---------------------------|--------------------|-----------------------|-----|-----|-------|
| C <sub>IN</sub>           | Input Capacitance  | V <sub>IN</sub> = 0V  | 6.0 | 10  | pF    |
| C <sub>OUT</sub>          | Output Capacitance | V <sub>OUT</sub> = 0V | 8   | 12  | pF    |

**Notes:**

1. For Max. or Min. conditions, use appropriate value specified under Electrical Characteristics for the applicable device type.
2. Typical values are at V<sub>CC</sub> = 5.0V, +25°C ambient and maximum loading.
3. Not more than one output should be shorted at one time. Duration of the test should not exceed one second.
4. This parameter is determined by device characterization but is not production tested.

**Power Supply Characteristics**

| Parameters       | Description                                     | Test Conditions <sup>(1)</sup>   |  | Min. | Typ  | Max.              | Units      |
|------------------|---|--|--|------|------|-------------------|------------|
| I <sub>CC</sub>  | Quiescent Power Supply Current                  | V <sub>CC</sub> = Max  | V <sub>IN</sub> = GND or V <sub>CC</sub>                   |      | 3    | 30                | μA         |
| ΔI <sub>CC</sub> | Supply Current per Input @ TTL HIGH             | V <sub>CC</sub> = Max  | V <sub>IN</sub> = 3.4V <sup>(3)</sup>                      |      | 0.5  | 1.5               | mA         |
| I <sub>CCD</sub> | Supply Current per Input per MHz <sup>(4)</sup> | V <sub>CC</sub> = Max., Outputs Open<br>50% Duty Cycle,<br>Per Output Toggling   | V <sub>IN</sub> = V <sub>CC</sub><br>V <sub>IN</sub> = GND |      | 0.4  | 0.6               | mA/<br>MHz |
| I <sub>C</sub>   | Total Power Supply Current <sup>(6)</sup>       | V <sub>CC</sub> = Max., Outputs Open<br>f <sub>CP</sub> = 50 MHz, 50% Duty Cycle | V <sub>IN</sub> = V <sub>CC</sub><br>V <sub>IN</sub> = GND |      | 20   | 30 <sup>(5)</sup> | mA         |
|                  |   |  | V <sub>IN</sub> = 3.4V<br>V <sub>IN</sub> = GND            |      | 20.7 | 33 <sup>(5)</sup> |            |

**Notes:**

- For Max. or Min. conditions, use appropriate value specified under Electrical Characteristics for the applicable device.
- Typical values are at V<sub>CC</sub> = 5.0V, +25°C ambient.
- Per TTL driven input (V<sub>IN</sub> = 3.4V); all other inputs at V<sub>CC</sub> or GND.
- This parameter is not directly testable, but is derived for use in Total Power Supply Calculations.
- Values for these conditions are examples of the I<sub>CC</sub> formula. These limits are guaranteed but not tested.
- I<sub>C</sub> = I<sub>QUIESCENT</sub> + I<sub>INPUTS</sub> + I<sub>DYNAMIC</sub>

$$I_C = I_{CC} + \Delta I_{CC} D_H N_T + I_{CCD} (f_{CP}/2 + f_i N_i)$$

I<sub>CC</sub> = Quiescent Current

ΔI<sub>CC</sub> = Power Supply Current for a TTL High Input (V<sub>IN</sub> = 3.4V)

D<sub>H</sub> = Duty Cycle for TTL Inputs High

N<sub>T</sub> = Number of TTL Inputs at D<sub>H</sub>

I<sub>CCD</sub> = Dynamic Current Caused by an Input Transition Pair (HLH or LHL)

f<sub>CP</sub> = Clock Frequency for Register Devices (Zero for Non-Register Devices)

f<sub>i</sub> = Input Frequency

N<sub>i</sub> = Number of Inputs at f<sub>i</sub>

All currents are in milliamps and all frequencies are in megahertz.

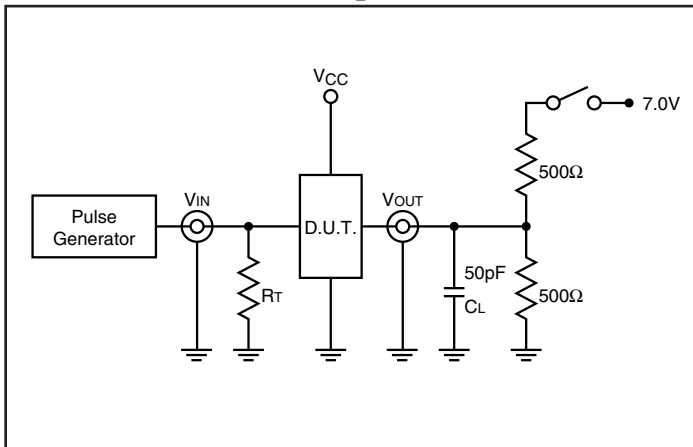
**Switching Characteristics over Operating Range**

| Parameters                           | Description   | Conditions <sup>(1)</sup>                      | 807/2807T |      | 807AT |      | 807BT |      | 807CT |      | Units |
|--------------------------------------|---|--|-----------|------|-------|------|-------|------|-------|------|-------|
|                                      |   |  | Com.      |      | Com.  |      | Com.  |      | Com.  |      |       |
|                                      |   |  | Min.      | Max. | Min.  | Max. | Min.  | Max. | Min.  | Max. |       |
| t <sub>PLH</sub><br>t <sub>PHL</sub> | Propagation Delay<br>A TO BN  | C <sub>L</sub> = 50pF<br>R <sub>L</sub> = 500Ω | 1.5       | 4.5  | 1.5   | 4.0  | 1.5   | 3.8  | 1.5   | 3.5  | ns    |
| t <sub>SK(o)</sub>                   | Skew between two outputs<br>of same package <sup>(3)</sup>  |  |           | 0.5  |       | 0.5  |       | 0.35 |       | 0.25 | ns    |
| t <sub>SK(p)</sub>                   | Skew between opposite transi-<br>tions of same output ( t <sub>PHL</sub><br>— t <sub>PLH</sub>  ) <sup>(3)</sup>    |  |           | 0.5  |       | 0.5  |       | 0.35 |       | 0.35 | ns    |
| t <sub>SK(t)</sub>                   | Skew between outputs of<br>different package at same<br>power supply, temperature<br>and speed grade <sup>(3)</sup> |  |           | 1.0  |       | 1.0  |       | 0.75 |       | 0.75 | ns    |

**Notes:**

- See test circuit and wave forms.
- Minimum limits are guaranteed but not tested on Propagation Delays.
- This parameter is guaranteed but not tested.

### Tests Circuits For All Outputs<sup>(1)</sup>



### Switch Position

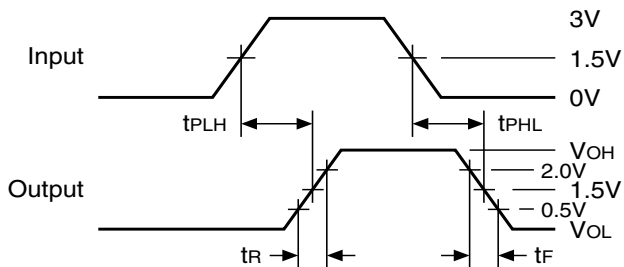
#### Definitions:

$C_L$  = Load capacitance: includes jig and probe capacitance.

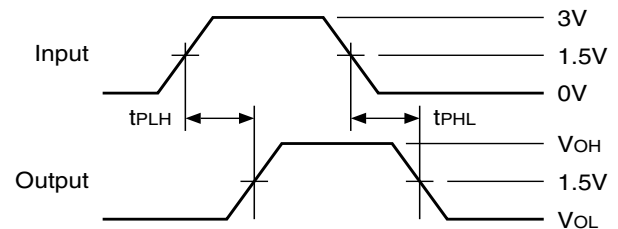
$R_T$  = Termination resistance: should be equal to  $Z_{OUT}$  of the Pulse Generator.

### Switching Waveforms

#### Propagation Delay

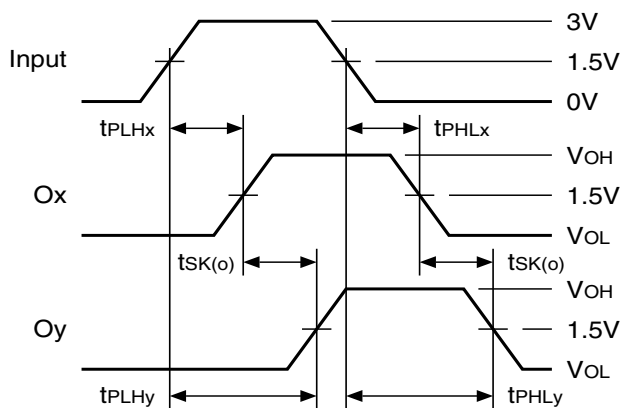


#### Pulse Skew – $t_{sk(p)}$



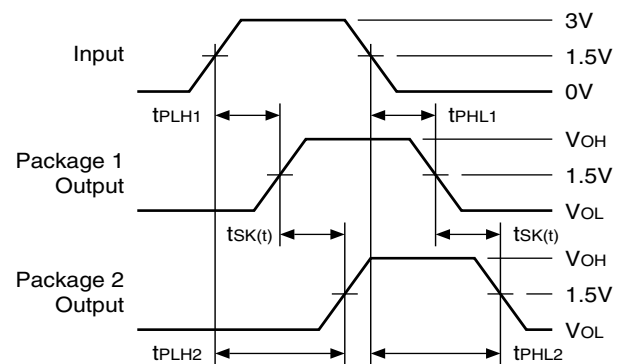
$$t_{sk(p)} = |t_{PHL} - t_{PLH}|$$

#### Output Skew – $t_{sk(o)}$



$$t_{sk(o)} = |t_{PLHy} - t_{PLHx}| \text{ or } |t_{PHLy} - t_{PHLx}|$$

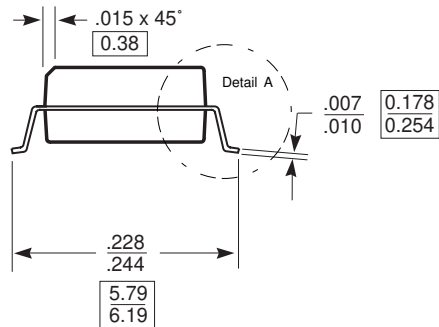
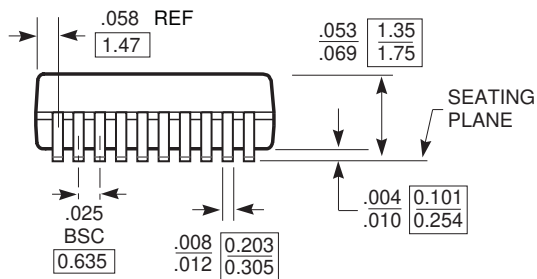
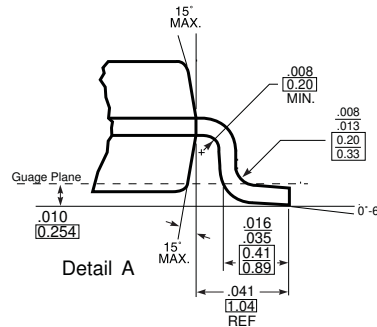
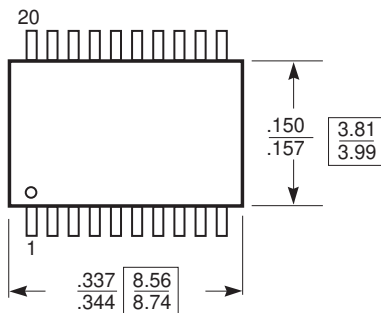
#### Package Skew – $t_{sk(t)}$



$$t_{sk(t)} = |t_{PLH2} - t_{PLH1}| \text{ or } |t_{PHL2} - t_{PHL1}|$$

DOCUMENT CONTROL NO.  
PD - 1202

REVISION: H  
DATE: 10/22/07



X.XX DENOTES DIMENSIONS  
IN MILLIMETERS

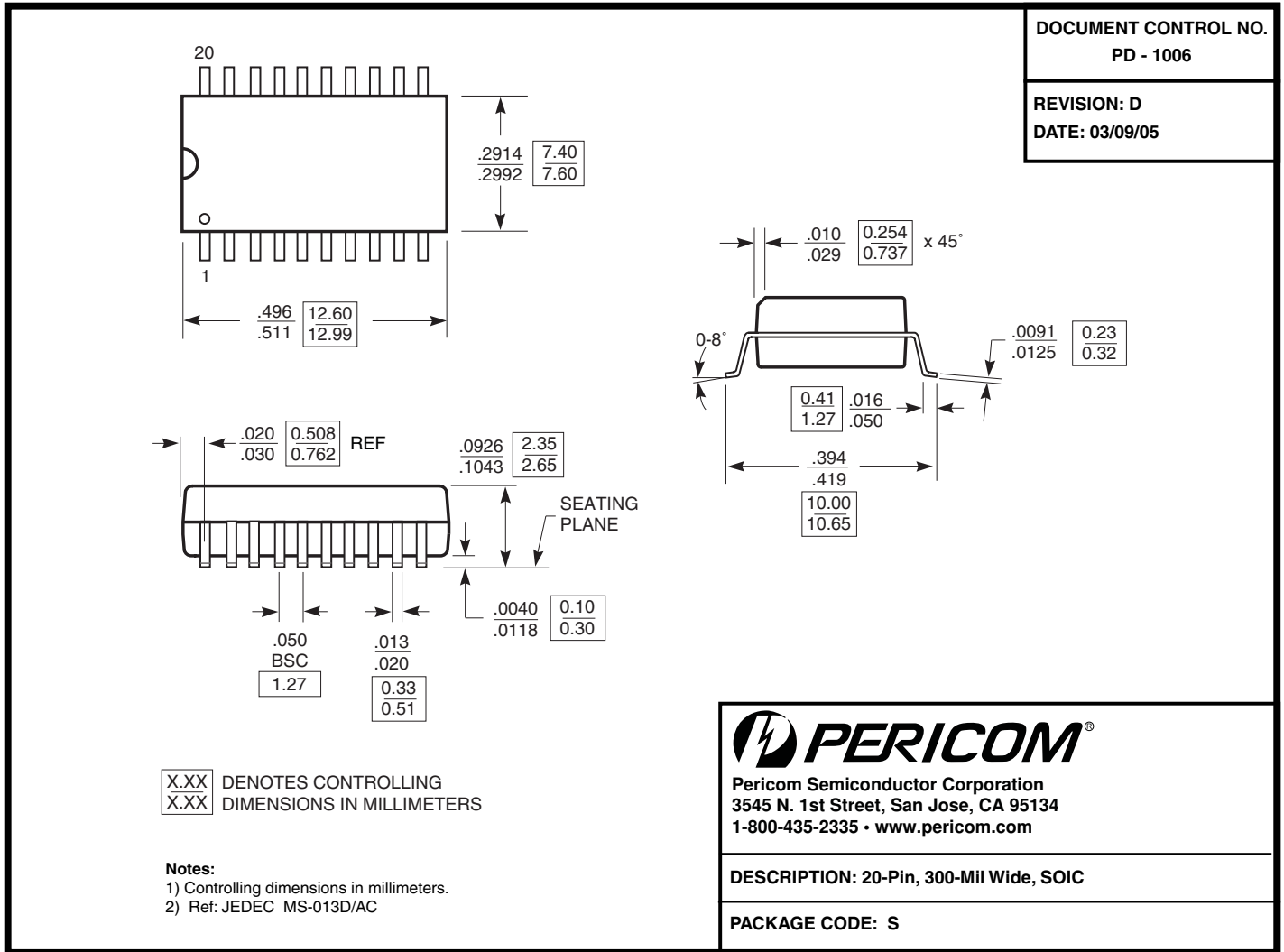
- Note:
- 1) Controlling dimensions in inches.
  - 2) Ref: JEDEC MO-137B/AD
  - 3) Dimensions do not include mold flash, protrusions or gate burrs



Pericom Semiconductor Corporation  
3545 N. 1st Street, San Jose, CA 95134  
1-800-435-2335 • www.pericom.com

DESCRIPTION: 20-Pin, 150-Mil Wide, QSOP

PACKAGE CODE: Q



**Note:**

- For latest package info, please check: <http://www.pericom.com/products/packaging/mechanicals.php>

**Ordering Information(1,2,3)**

| Ordering Code   | Package Code | Speed Grade | Package Type                         |
|-----------------|--------------|-------------|--------------------------------------|
| PI49FCT807CTQEX | Q            | C           | Pb-free & Green, 20-pin 150-mil QSOP |
| PI49FCT807CTSEX | S            | C           | Pb-free & Green, 20-pin 300-mil SOIC |
| PI49FCT807TQEX  | Q            | Blank       | Pb-free & Green, 20-pin 150-mil QSOP |
| PI49FCT807TSEX  | S            | Blank       | Pb-free & Green, 20-pin 300-mil SOIC |

**Notes:**

- Thermal characteristics can be found on the company web site at [www.pericom.com/packaging/](http://www.pericom.com/packaging/)
- E = Pb-free and Green
- X Suffix = Tape/Reel