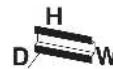



**PSR-SCP- 24DC/FSP/2X1/1X2**

Order No.: 2986960

<http://eshop.phoenixcontact.de/phoenix/treeViewClick.do?UID=2986960>

Safe coupling relay for SIL3 high and low demand applications, couples digital output signals to the I/O, 2 enabling current paths, 1 alarm contact, module for safe state off applications, integrated test pulse filter, plug-in terminal blocks, width: 17.5 mm



Commercial data	
GTIN (EAN)	 4 046356 520911
sales group	G501
Pack	1 pcs.
Customs tariff	85364190
Catalog page information	Page 219 (NTK-2010)

## Product notes

WEEE/RoHS-compliant since:  
08/24/2009

<http://www.download.phoenixcontact.com>  
Please note that the data given here has been taken from the online catalog. For comprehensive information and data, please refer to the user documentation. The General Terms and Conditions of Use apply to Internet downloads.

**Technical data****Input data**

Nominal input voltage $U_N$	24 V DC
Input voltage range in reference to $U_N$	0.85 ... 1.1
Typical input current at $U_N$	55 mA

Typical inrush current	max. 100 mA
Typical response time	50 ms
Typical release time	50 ms
Recovery time	1 s

#### Output data

Contact type	2 undelayed enabling current paths, 1 undelayed confirmation path
Contact material	AgCuNi, + 0.2 µm Au
Maximum switching voltage	250 V AC/DC
Minimum switching voltage	15 V AC/DC
Limiting continuous current	5 A (N/O contact) 100 mA (N/C contact)
Maximum inrush current	5 A
Inrush current, minimum	5 mA
Sq. Total current	$50 \text{ A}^2 (I_{TH}^2 = I_1^2 + I_2^2 + \dots + I_N^2)$
Interrupting rating (ohmic load) max.	120 W (24 V DC, $\tau = 0 \text{ ms}$ , N/C contact: 2.4 W) 192 W (48 V DC, $\tau = 0 \text{ ms}$ , N/C contact: 4.8 W) 162 W (60 V DC, $\tau = 0 \text{ ms}$ , N/C contact: 6 W) 66 W (110 V DC, $\tau = 0 \text{ ms}$ , N/C contact: 11 W) 60 W (220 V DC, $\tau = 0 \text{ ms}$ , N/C contact: 22 W) 1250 VA (250 V AC, $\tau = 0 \text{ ms}$ , N/C contact: 25 VA)
Maximum interrupting rating (inductive load)	72 W (24 V DC, $\tau = 40 \text{ ms}$ , N/C contact: 2.4 W) 43 W (48 V DC, $\tau = 40 \text{ ms}$ , N/C contact: 4.8 W) 41 W (60 V DC, $\tau = 40 \text{ ms}$ , N/C contact: 6 W) 35 W (110 V DC, $\tau = 40 \text{ ms}$ , N/C contact: 11 W) 48 W (220 V DC, $\tau = 40 \text{ ms}$ , N/C contact: 22 W)
Switching capacity min.	75 mW
Output fuse	10 A gL/gG (N/O contact) 6 A gL/gG (N/C contact)

#### General data

Width	17.5 mm
Height	99 mm
Depth	114.5 mm
Ambient temperature (operation)	-20 °C ... 55 °C
Ambient temperature (storage/transport)	-40 °C ... 70 °C

Relay type	Electromechanically forcibly guided, dust-proof relay.
Mechanical service life	Approx. $10^7$ cycles
Mounting position	Any
Category in acc. with EN 954-1	4
Stop category	0
Name	Air and creepage distances between the power circuits
Standards/regulations	DIN EN 50178/VDE 0160
Rated surge voltage / insulation	6 kV/safe isolation, reinforced insulation
Rated insulation voltage	250 V
Pollution degree	2
Surge voltage category	III

#### Connection data

Conductor cross section solid min.	0.2 mm <sup>2</sup>
Conductor cross section solid max.	2.5 mm <sup>2</sup>
Conductor cross section stranded min.	0.2 mm <sup>2</sup>
Conductor cross section stranded max.	2.5 mm <sup>2</sup>
Conductor cross section AWG/kcmil min.	24
Conductor cross section AWG/kcmil max	12
Stripping length	7 mm
Screw thread	M3
Connection method	Screw connection

#### Certificates / Approvals

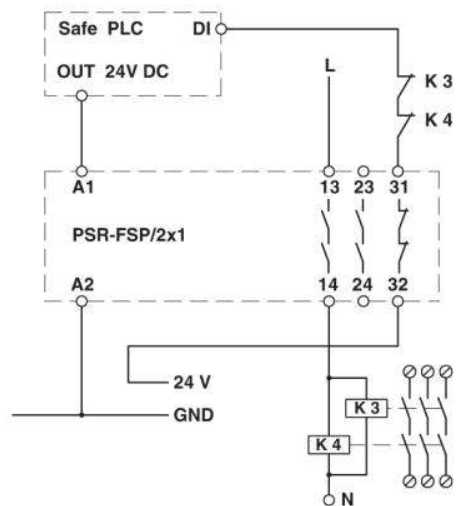


Certification

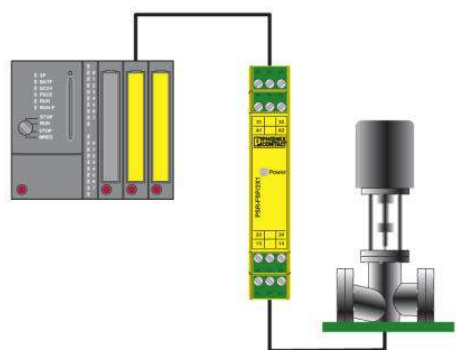
CUL Listed, TUEV-RH, UL Listed

### Diagrams/Drawings

Connection diagram



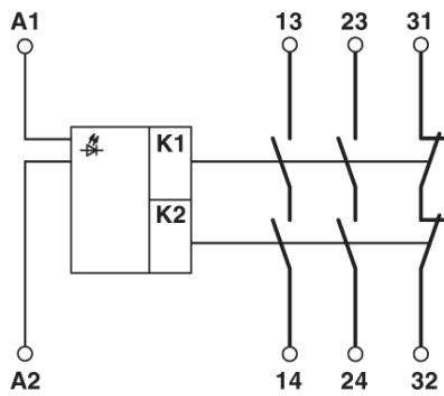
Application drawing



Example of electrical isolation of a safety PLC output from the field.

Circuit diagram

---



**Address**

PHOENIX CONTACT Inc., USA  
586 Fulling Mill Road  
Middletown, PA 17057, USA  
Phone (800) 888-7388  
Fax (717) 944-1625  
<http://www.phoenixcon.com>



© 2011 Phoenix Contact  
Technical modifications reserved;